



**EBARA**



	Page
<b>- SPECIFICATIONS</b>	
PUMP SPECIFICATIONS	200
PUMP SPECIFICATIONS	201
MOTOR SPECIFICATIONS	202
SELECTION CHART	203
SELECTION CHART	204
SELECTION CHART	205
PERFORMANCE CURVE 32-125	206
PERFORMANCE CURVE 32-160	207
PERFORMANCE CURVE 32-200	208
PERFORMANCE CURVE 40-125	209
PERFORMANCE CURVE 40-160	210
PERFORMANCE CURVE 40-200	211
PERFORMANCE CURVE 50-125	212
PERFORMANCE CURVE 50-160	213
PERFORMANCE CURVE 50-200	214
PERFORMANCE CURVE 65-125	215
PERFORMANCE CURVE 65-160	216
PERFORMANCE CURVE 65-200	217
PERFORMANCE CURVE 65-250	218
PERFORMANCE CURVE 80-160	219
PERFORMANCE CURVE 80-200	220
PERFORMANCE CURVE 80-250	221
<b>- CONSTRUCTIONS</b>	
SECTIONAL VIEW 3M-3LM (32,40,50,65-125/160/200)	300
CONSTRUCTIONS 3M-3LM (32,40,50,65-125/160/200)	301
SECTIONAL VIEW 3LM 80-160/11/13	302
SECTIONAL VIEW 3LM 80-160/15/18.5	303
CONSTRUCTIONS 3LM 80-160	304
SECTIONAL VIEW 3S-3LS (32,40,50)	305
SECTIONAL VIEW 3S-3LS (65-125/160/200)	306
CONSTRUCTIONS 3S-3LS (32,40,50,65-125/160/200)	307
SECTIONAL VIEW 3LS 80-160	308
CONSTRUCTIONS 3LS 80-160	309
SECTIONAL VIEW 3LS (65-250, 80-200/250)	310
CONSTRUCTIONS 3LS (65-250, 80-200/250)	311
SECTIONAL VIEW 3P-3LP (32,40,50,65-125/160/200)	312
CONSTRUCTIONS 3P-3LP (32,40,50,65-125/160/200)	313
SECTIONAL VIEW 3LP 80-160	314
SECTIONAL VIEW 3LP (65-250, 80-200/250)	315
SECTIONAL VIEW 3LP (65-250, 80-200/250)	316
CONSTRUCTIONS 3LP 80-160	317
CONSTRUCTIONS 3LP (65-250, 80-200/250)	318

	Page
CONSTRUCTIONS : BALL BEARING	319
CONSTRUCTIONS : BALL BEARING	320
CONSTRUCTIONS : MECHANICAL SEAL (standard and H version)	321
CONSTRUCTIONS : MECHANICAL SEAL (L version Ø 22)	322
CONSTRUCTIONS : MECHANICAL SEAL (L version Ø 30-35)	323
CONSTRUCTIONS : MECHANICAL SEAL (HS version Ø 22)	324
CONSTRUCTIONS : MECHANICAL SEAL (HS and E version)	325
CONSTRUCTIONS : COUPLING	326
CONSTRUCTIONS : FLEXIBLE COUPLING	327
CONSTRUCTIONS : COUNTERFLANGE	328
CONSTRUCTIONS : COUNTERFLANGE	329
<b>- DIMENSIONS</b>	
DIMENSIONS 3M-3LM (32,40,50,65/125/160)	400
DIMENSIONS 3M-3LM (50-200,65-160/15,65-200)	401
DIMENSIONS 3LM 80-160/11/13	402
DIMENSIONS 3LM 80-160/15/18.5	403
DIMENSIONS 3S-3LS (32,40,50)	404
DIMENSIONS 3S-3LS (32,65)	405
DIMENSIONS 3S-3LS (40,50,65)	406
DIMENSIONS 3S-3LS (32,40,50,65)	407
DIMENSIONS 3LS 80-160	408
DIMENSIONS 3LS (65-250,80-200/250)	409
DIMENSIONS 3LS 80-200/250	410
DIMENSIONS 3LS 80-250/55	411
DIMENSIONS 3P-3LP (32-40-50-65)	412
DIMENSIONS 3P-3LP (32-40-50-65)	413
DIMENSIONS 3LP (65-250,80)	414
DIMENSIONS 3LP (80-200/250)	415
DIMENSIONS 3LP 80-250/55	416
PACKING AND WEIGHT 3M-3LM	417
PACKING AND WEIGHT 3S-3LS	418
DIMENSIONS AND WEIGHT 3P-3LP	419
<b>- TECHNICAL DATA</b>	
MOTOR DATA	500
MOTOR DATA	501

**PUMP SPECIFICATIONS**

50 Hz

Rev. H

Version			3M	3S	3P	3LM	3LS	3LP
Pump sizes	32-125		■	■	■	■	■	■
	32-160		■	■	■	■	■	■
	32-200		■	■	■	■	■	■
	40-125		■	■	■	■	■	■
	40-160		■	■	■	■	■	■
	40-200		■	■	■	■	■	■
	50-125		■	■	■	■	■	■
	50-160		■	■	■	■	■	■
	50-200		■	■	■	■	■	■
	65-125		■	■	■	■	■	■
	65-160		■	■	■	■	■	■
	65-200		■	■	■	■	■	■
	65-250		-	-	-	-	●	●
	80-160		-	-	-	●	●	●
80-200		-	-	-	-	●	●	
80-250		-	-	-	-	●	●	
Liquid Handled	Type of liquid		Clean water and moderately aggressive fluids					
			/			Clean water, drinking water, water contains glycol for E version		
	Temperature	min.	-10			-10 -20 for E version		
		max.	+90 110 for (H-HS version)			+110 +120 for E version		
Maximum working pressure		[MPa]	1					

■ Available also with H and HS option for 32, 40, 50, 65-125/160/200.

● Available also with H and E option for 65-250, 80.

— Not available.

PUMP SPECIFICATIONS

50 Hz

Rev. H

Version		3M	3S	3P	3LM	3LS	3LP
Construction	Impeller	Closed centrifugal type for [32, 40, 50 version] Reinforced laser welding for [40-200/11, 50-200/15] Closed centrifugal three dimensional blades for [65 and 80 version]					
	Shaft seal type	Mechanical seal			Mechanical seal with stationary ring secured against rotation. Mechanical seal for [H-E option]		
	Bearing	Sealed ball bearing					
Pipe Connection	Suction	32-125/160/200	Flange DN50 according DIN 2532 standard				
		40-125/160/200	Flange DN65 according DIN 2532 standard				
		50-125/160/200	Flange DN65 according DIN 2532 standard				
		65-125/160/200/250	Flange DN80 according DIN 2532 standard				
	Discharge	80-160/200/250	Flange DN100 according DIN 2532 standard				
		32-125/160/200	Flange DN32 according DIN 2532 standard				
		40-125/160/200	Flange DN40 according DIN 2532 standard				
		50-125/160/200	Flange DN50 according DIN 2532 standard				
	65-125/160/200/250	Flange DN65 according DIN 2532 standard					
	80-160/200/250	Flange DN80 according DIN 2532 standard					
Material	Casing	32-125/160/200	EN 1.4301 (AISI 304)			EN 1.4404 (AISI 316L)	
		40-125/160/200				EN 1.4401 (AISI 316)	
		65-250	/			Made by precision casting	
		80-160/200/250					
	Impeller	32-125/160/200	EN 1.4301 (AISI 304)			EN 1.4404 (AISI 316L)	
		40-125/160/200				EN 1.4401 (AISI 316)	
		50-125/160				Made by precision casting	
		65-125/160/200					
		65-250	/			EN 1.4401 (AISI 316)	
		80-160/200/250				Made by precision casting	
	Casing cover	32-125/160/200	EN 1.4301 (AISI 304)			EN 1.4404 (AISI 316L)	
		40-125/160/200				EN 1.4401 (AISI 316)	
		50-125/160	/			Made by precision casting	
		65-125/160/200					
		65-250	/			EN 1.4401 (AISI 316)	
		80-200/250				Made by precision casting	
	Mechanical seal	32-125/160/200	Ceramic/Carbon/NBR [standard version]			SiC/SiC/FPM [L version]	
		40-125/160/200	Ceramic/Carbon/FPM [H option]			SiC/SiC/FPM [L version]	
		50-125/160	SiC/SiC/FPM [HS option]			Ceramic/Carbon/FPM [H option]	
		65-125/160/200				SiC/Carbon/EPDM [E option]	
	65-250	/					
	80-160/200/250						
O-ring		NBR FPM for [H-HS option]			FPM		
Shaft	32, 40, 50	d=19	EN 1.4301 (AISI 304)			EN 1.4404 (AISI 316L)	
	65-125						
	65-160/11						
	50-200/15	d=22					
	65-160/15						
	65-200	d=24					
	65-250	d=24	/			EN 1.4462 (Duplex stainless steel)	
	80-160	d=24	/			EN 1.4404 (AISI 316L)	
80-200/22	d=24	/			EN 1.4404		
80-200/30-37kW	d=24	/			EN 1.4462 (Duplex stainless steel)		
80-250	d=29	/			EN 1.4462 (Duplex stainless steel)		
Bracket		Cast iron - aluminium					

**MOTOR SPECIFICATIONS**

50 Hz

Rev. H

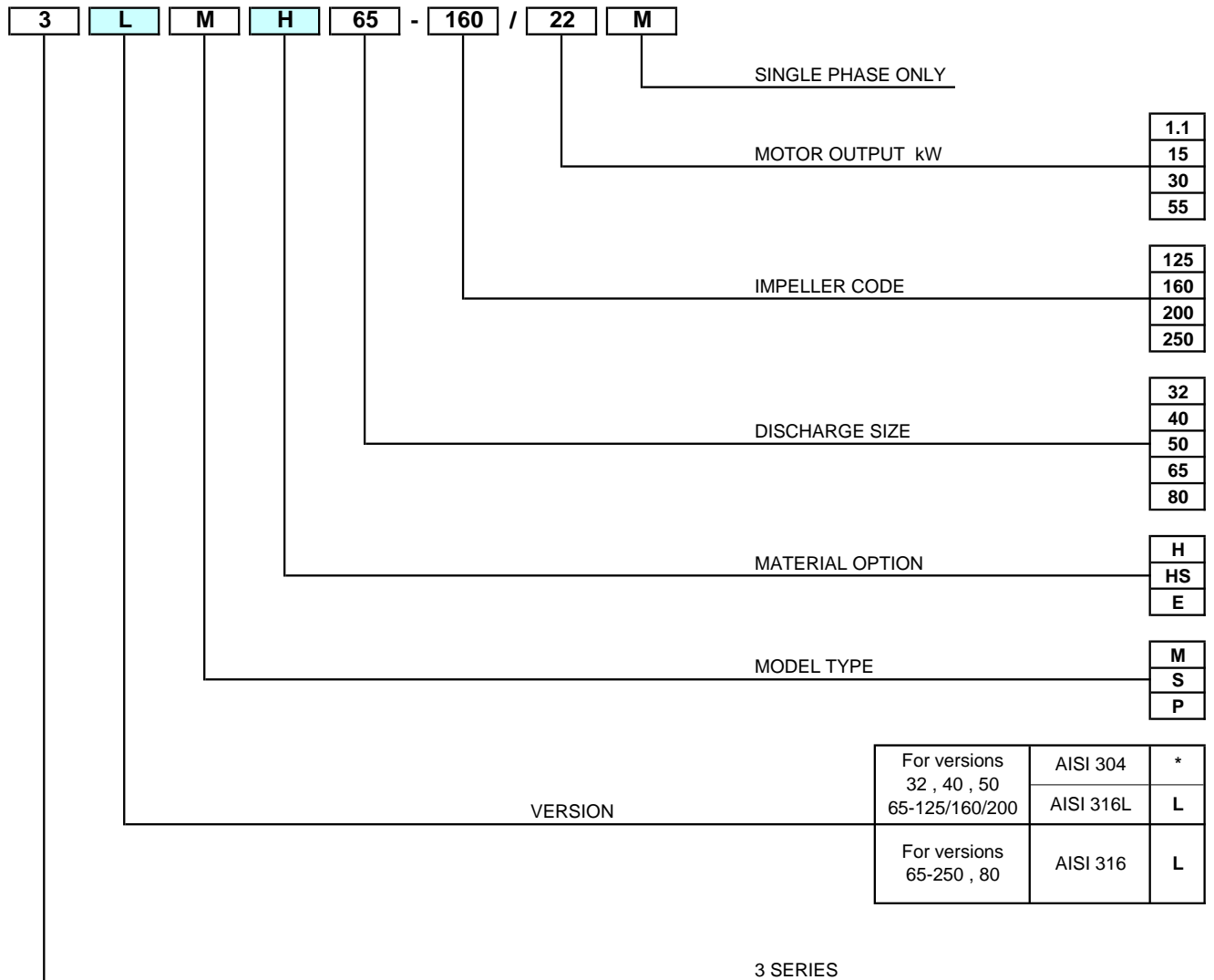
Version	3(.)M		3(.)S	3(.)P
Type	Electric-TEFC			
	Single Phase	Three phase		
No. of Poles	2			
Rotation speed [min <sup>-1</sup> ]	~2900			
Insulation class	F (class B for temperature rise)			
Protection degree	IP 55			
Power rating	[kW]	1.1 ÷ 2.2	1.1 ÷ 22	1.1 ÷ 55
	[HP]	1.5 ÷ 3.0	1.5 ÷ 30	1.5 ÷ 75
Frequency [HZ]	50			
Voltage [V]	230 ±10%	220÷240 / 380÷415 ±5% (up to 4.0 kW) 380÷415 / 660÷720 ±5% (5.5 kW and above)		
Casing material	Aluminium / Cast iron			
Dimensions of cable entry	M20x1.5	-PG 13.5 -PG 16 -PG 21	- M20x1.5 - M25x1.5 - M32x1.5 - M40x1.5 - M50x1.5 - M63x1.5	
Flange mount (IEC motor)	/		IM B5 (up to 2.2 kW)  IM B35 (3.0 kW and above)	IM B3

## SELECTION CHART

50 Hz

Rev. H

### TYPE KEY



\*) No indication

SELECTION CHART

50 Hz

Rev. H

3 SERIES: 32, 40, 50 VERSION

Pump type	kW	HP	Flow rate (l/min)															
			0	100	150	200	300	333	360	400	450	500	600	700	800	1000	1200	
			Flow rate (m³/h)															
			0	6	9	12	18	20	22	24	27	30	36	42	48	60	72	
32-125/1.1(M) *	1.1	1.5	22.5	21	19.9	18.4	14.1	12	-	-	-	-	-	-	-	-		
32-160/1.5(M) *	1.5	2	29.5	28	26.5	24.5	19.2	17	-	-	-	-	-	-	-	-		
32-160/2.2(M) *	2.2	3	37	35.5	34	32	27	25	-	-	-	-	-	-	-	-		
32-200/3.0	3	4	44	42	40	37.5	31	28	-	-	-	-	-	-	-	-		
32-200/4.0	4	5.5	55	53.5	52	49.5	43.5	40.5	38	-	-	-	-	-	-	-		
32-200/5.5	5.5	7.5	70.5	69	67.5	65	58.5	-	-	-	-	-	-	-	-	-		
32-200/7.5	7.5	10	70.5	69	67.5	65	58.5	55.5	53	49	44	-	-	-	-	-		
40-125/1.5(M) *	1.5	2	20	-	-	19	17.6	17	16.5	15.7	14.5	13.2	10.3	7	-	-		
40-125/2.2(M) *	2.2	3	26.5	-	-	25.5	24	23.5	23	22	21	19.5	16.4	13	-	-		
40-160/3.0	3	4	31	-	-	29.5	27.5	27	26.5	25.5	24	22.5	20	17	-	-		
40-160/4.0	4	5.5	40	-	-	38.5	37	36	35.5	34.5	33	32	29	25.5	-	-		
40-200/5.5	5.5	7.5	47	-	-	45.5	44	43	42.5	41	39.5	38	35	31	-	-		
40-200/7.5	7.5	10	58	-	-	57	55.5	55	54.5	53.5	52.5	51	47.5	44	-	-		
40-200/11	11	15	72	-	-	71	70	70	69.5	68.5	67.5	66	63	59	-	-		
50-125/2.2(M) *	2.2	3	19	-	-	-	-	-	-	17.5	17	16.3	14.9	13.4	11.7	8		
50-125/3.0	3	4	22	-	-	-	-	-	-	20.5	20	19.6	18.4	17	15.4	11.8		
50-125/4.0	4	5.5	26.5	-	-	-	-	-	-	26	25.5	25	24	22.5	21.5	17.9		
50-160/5.5	5.5	7.5	33	-	-	-	-	-	-	31	30.5	30	28.5	27	25.5	22		
50-160/7.5	7.5	10	40	-	-	-	-	-	-	38.5	38	37.5	36	35	33.5	30		
50-200/9.2	9.2	12.5	53	-	-	-	-	-	-	-	-	50	49	47.5	45.5	40.5		
50-200/11	11	15	59	-	-	-	-	-	-	-	-	56	55	54	52	48		
50-200/15	15	20	72	-	-	-	-	-	-	-	-	70	69	68	66	62		

\* Single phase version only for 3M type.

3 SERIES: 65, 80 VERSION

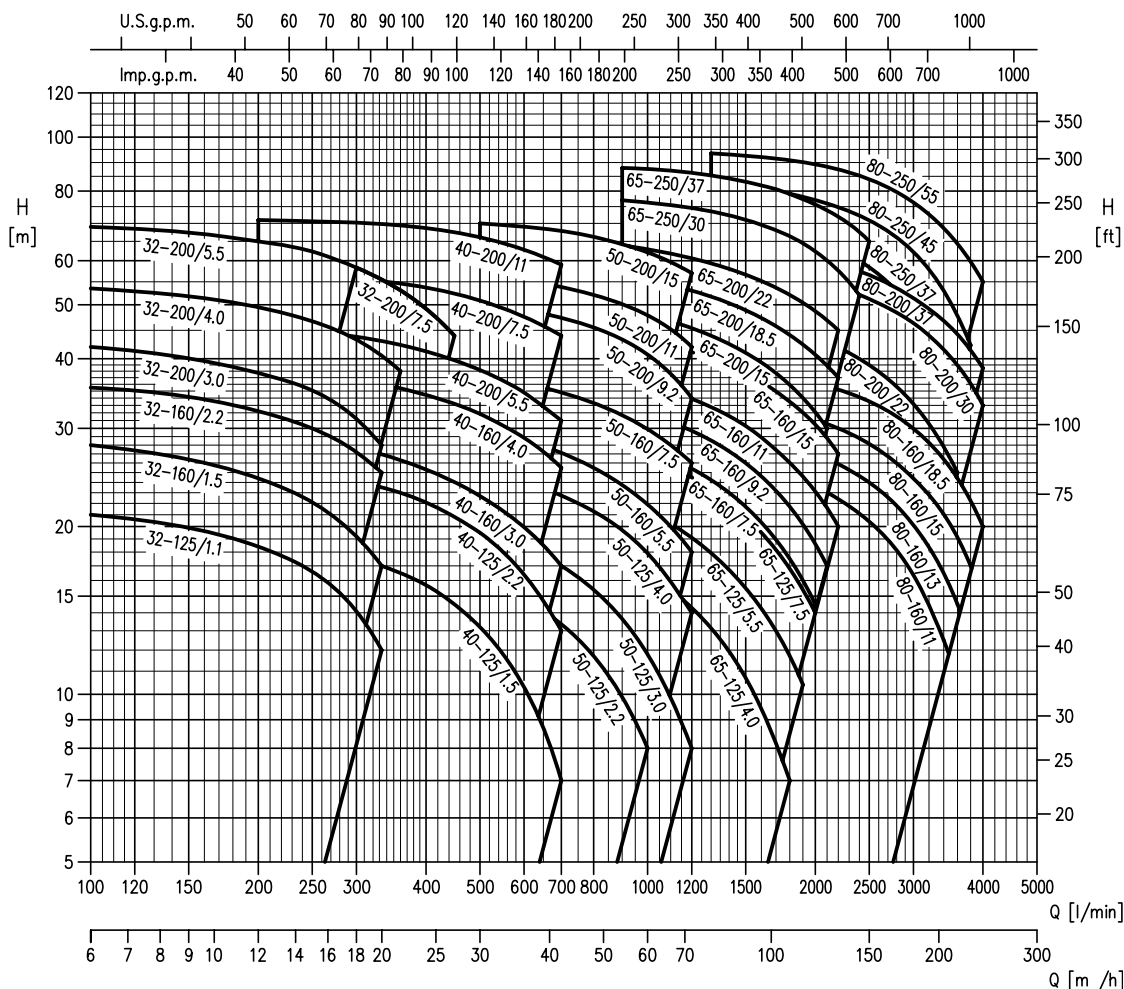
Pump type	kW	HP	Flow rate (l/min)																	
			0	600	700	900	1300	1500	1700	1900	2100	2200	2300	2400	2500	3000	3400	3600	3800	4000
			Flow rate (m³/h)																	
			0	36	42	54	78	90	102	114	126	132	138	144	150	180	204	216	228	240
65-125/4.0	4	5.5	22.2	19.8	19	17.3	13.3	11	8.6	6.3	-	-	-	-	-	-	-	-	-	
65-125/5.5	5.5	7.5	27	-	24	22.2	18	15.7	13.3	10.8	8	-	-	-	-	-	-	-	-	
65-125/7.5	7.5	10	32	-	29.5	27.8	23.5	21.1	18.7	16.1	13.4	12	-	-	-	-	-	-	-	
65-160/7.5	7.5	10	32	-	30	28.6	24.8	22.5	19.9	17.1	14.2	-	-	-	-	-	-	-	-	
65-160/9.2	9.2	12.5	36.5	-	34.5	32.8	28.8	26.5	23.9	21.1	18.3	16.8	-	-	-	-	-	-	-	
65-160/11	11	15	40.5	-	38.5	37.1	33.1	30.9	28.4	25.8	23	21.5	20	-	-	-	-	-	-	
65-160/15	15	20	48	-	45.5	44	40	37.8	35.3	32.6	29.6	28	26.5	-	-	-	-	-	-	
65-200/15	15	20	53.5	-	51	49	44	41.5	38.4	35.3	31.8	30	-	-	-	-	-	-	-	
65-200/18.5	18.5	25	60.5	-	58.5	56.5	51.5	49	46	43	39.7	38	36.3	-	-	-	-	-	-	
65-200/22	22	30	67	-	65.5	64	59.5	57	54	51	48	46.5	45	-	-	-	-	-	-	
65-250/30	30	40	78	-	-	77	73.5	71	68	64.5	60	57.5	55	52	-	-	-	-	-	
65-250/37	37	50	89	-	-	88	85.5	83	80.5	77.5	74	72	70	67.5	65	-	-	-	-	
80-160/11	11	15	29	-	-	-	27.3	26.4	25.4	24.2	23	22.4	21.8	21.1	20.4	16.4	12.5	-	-	
80-160/13	13	17.5	32	-	-	-	30.5	29.7	28.8	27.7	26.5	25.9	25.3	24.6	24	20.1	16.5	14.5	-	
80-160/15R	15	20	35	-	-	-	34	33.3	32.5	31.5	30.5	30	29.4	28.8	28.1	24.4	21	19.1	17	
80-160/15	15	20	35	-	-	-	34	33.3	32.5	31.5	30.5	30	29.4	28.8	28.1	24.4	21	19.1	17	
80-160/18.5	18.5	25	40	-	-	-	39	38.4	37.6	36.7	35.7	35.2	34.7	34.1	33.5	30	26.4	24.4	22.3	
80-200/22	22	30	50	-	-	-	48	47	45.5	44.5	43	42	41	40	39	33.2	27.8	25	-	
80-200/30	30	40	60	-	-	-	58.5	58	57	56	54.5	54	53	52	51	46.5	41.5	39	36.1	
80-200/37	37	50	66	-	-	-	64	63	62	61	59.5	59	58	57.5	56.5	51.5	47	44.5	41.5	
80-250/37	37	50	73	-	-	-	71.5	70.5	68.5	66.5	64	63	61.5	60	58.5	48.5	38	-	-	
80-250/45	45	60	84	-	-	-	82.5	81.5	80	78	76	75	73.5	72.5	71	62	53	48	42.5	
80-250/55	55	75	95	-	-	-	93.5	92.5	91.5	90	88.5	87.5	86.5	85.5	84	76.5	68.5	64.5	60	



## SELECTION CHART

50 Hz

Rev. H



### PERFORMANCE CURVES

The specifications below qualify the curves shown on the following pages.

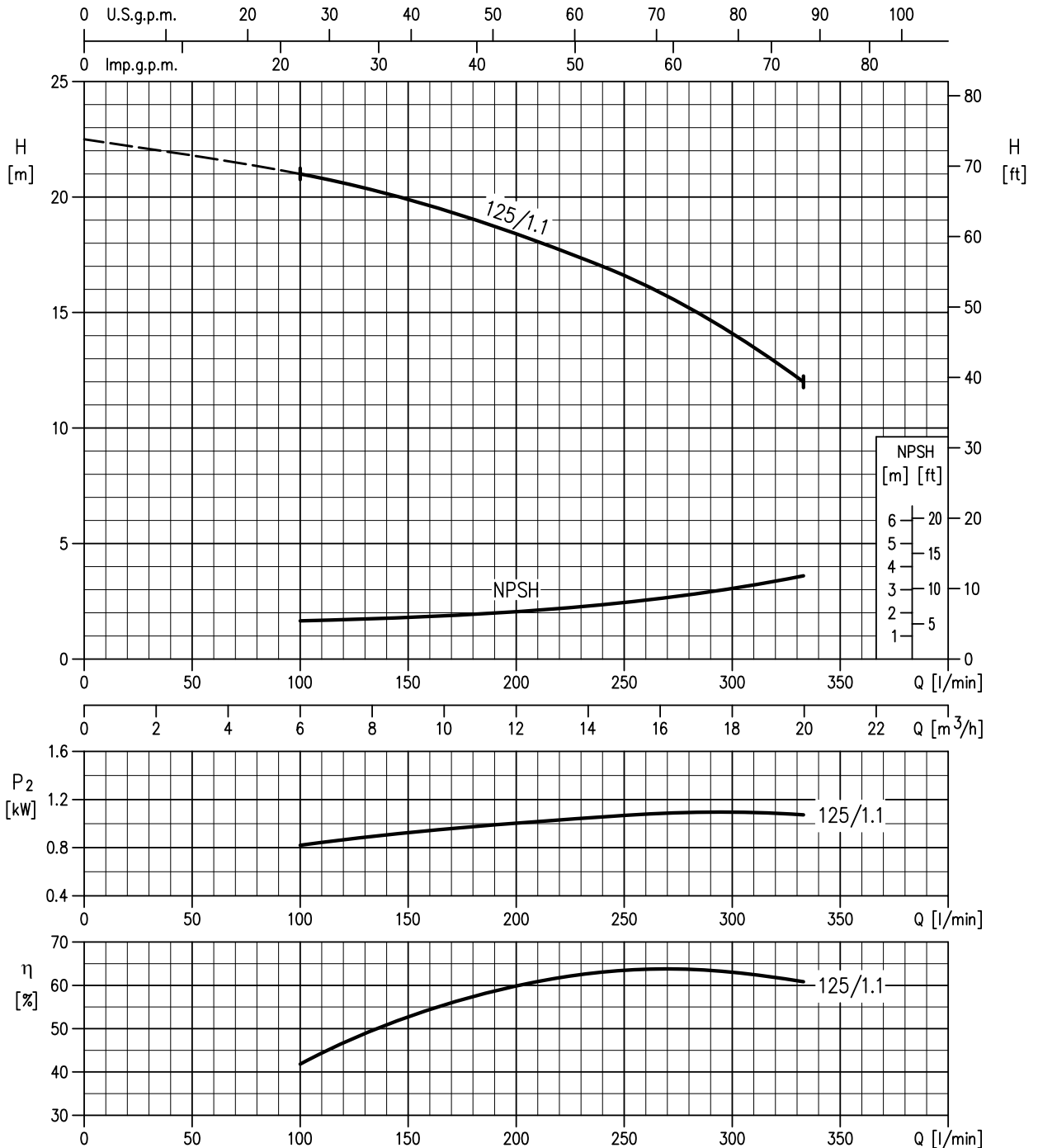
- ◆ Tolerances according to ISO 9906 Annex A
- ◆ The curves refer to effective speed of asynchronous motors at 50 Hz
- ◆ Measurements were carried out with clean water at 20°C of temperature and with a kinematic viscosity of  $\nu = 1 \text{ mm}^2/\text{s}$  (1 cSt)
- ◆ The NPSH curve is an average curve obtained in the same conditions of performance curves. During the pump selection, consider to get a safety margin of at least 1 m.
- ◆ The continuous curves indicate the recommended working range. The dotted curve is only a guide.
- ◆ In order to avoid the risk of over-heating, the pumps should not be used at a flow rate below 10% of best efficiency point.
- ◆ Symbols explanation:
  - Q = volume flow rate
  - H = total head
  - $P_2$  = pump power input (shaft power)
  - $\eta$  = pump efficiency
  - NPSH = net positive suction head required by the pump

PERFORMANCE CURVE

50 Hz

Rev. H

32-125/1.1 (1.1kW) – impeller diameter = 133 mm



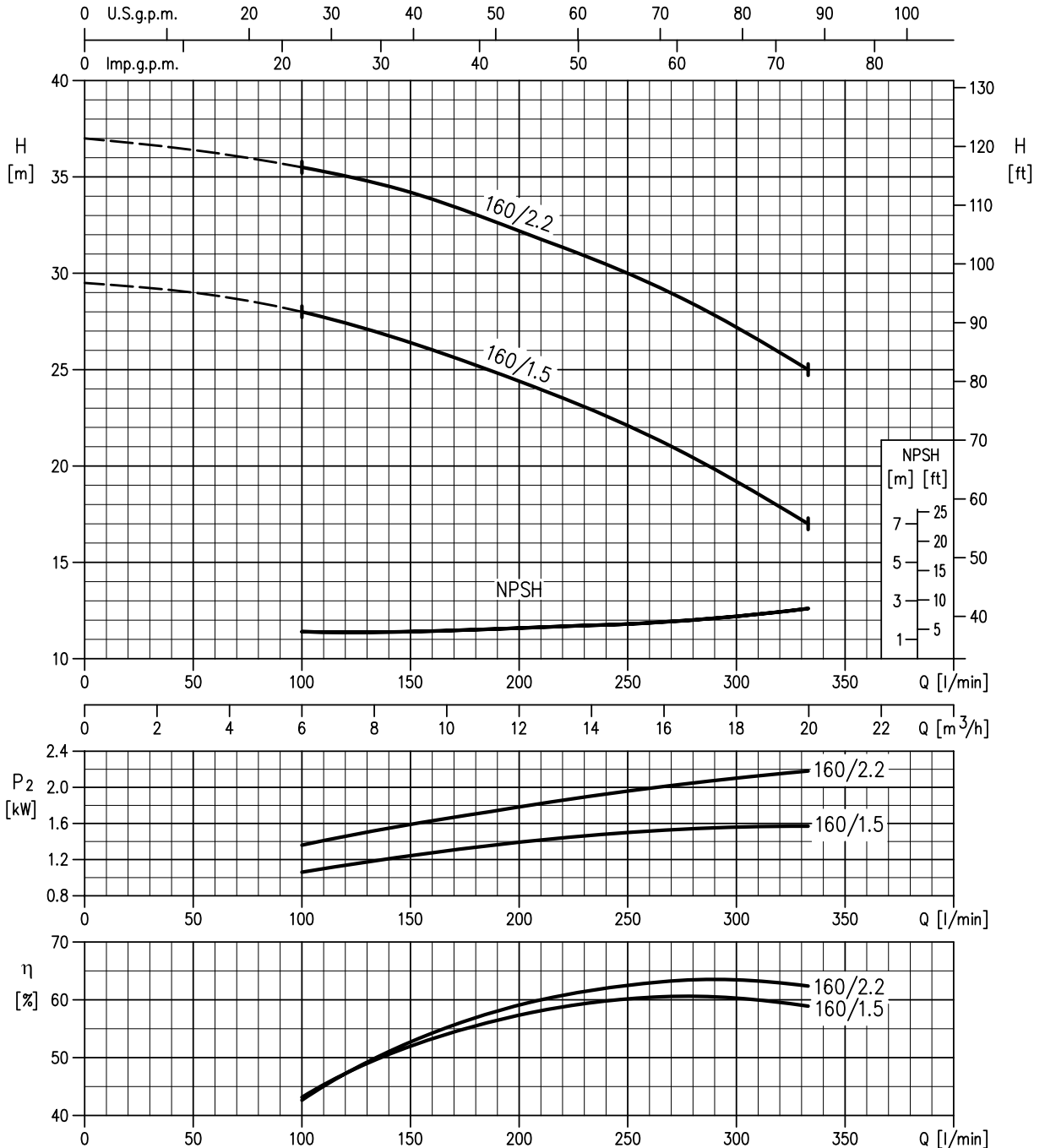
Rotation speed ≈2900 min<sup>-1</sup>  
 Test standard : ISO 9906 Annex A

PERFORMANCE CURVE

50 Hz

Rev. H

32-160/1.5 (1.5kW) – impeller diameter = 151 mm  
 32-160/2.2 (2.2kW) – impeller diameter = 166 mm



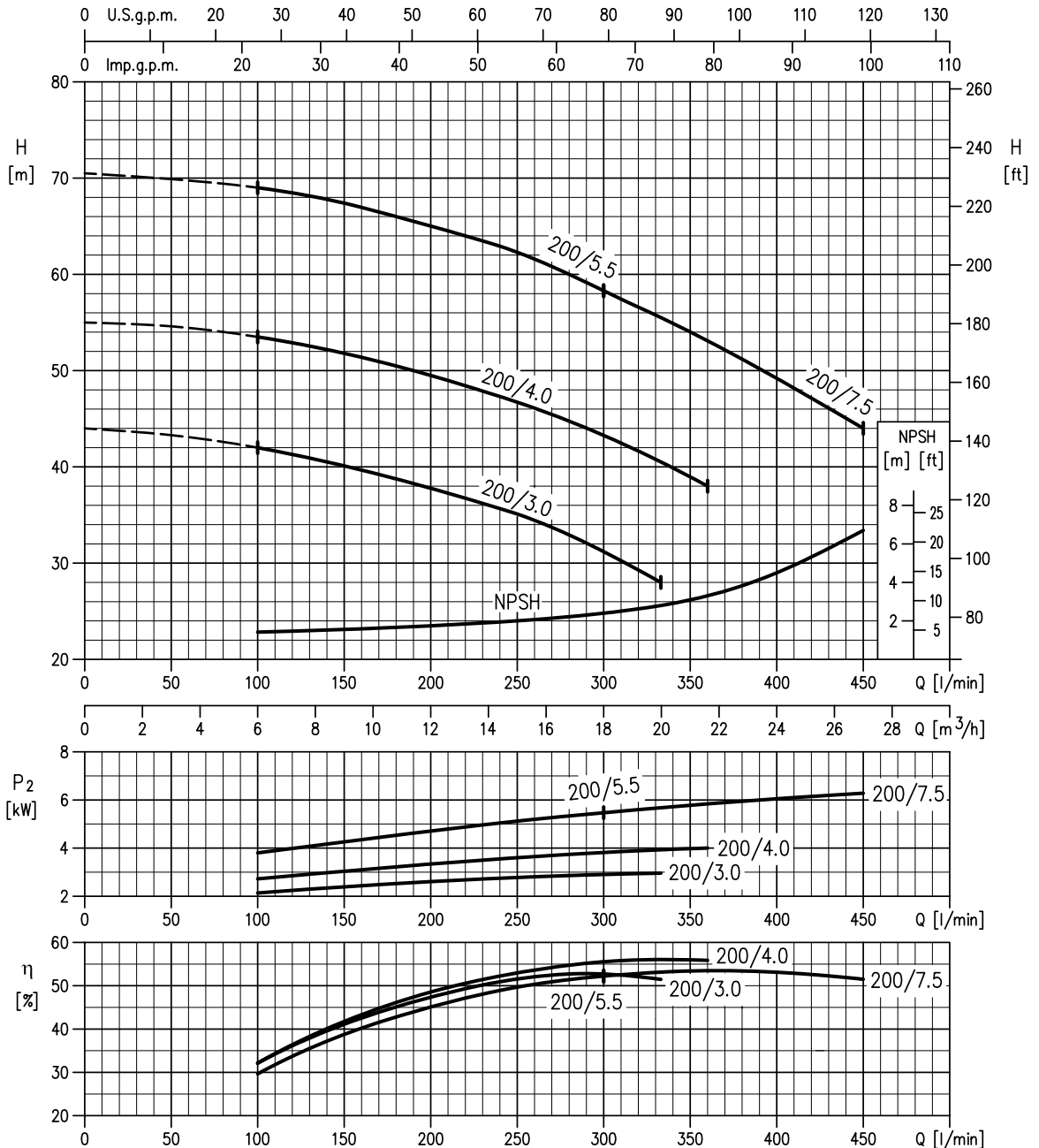
Rotation speed ≈2900 min<sup>-1</sup>  
 Test standard : ISO 9906 Annex A

PERFORMANCE CURVE

50 Hz

Rev. H

32-200/3 (3.0kW) – impeller diameter = 186 mm  
 32-200/4 (4.0kW) – impeller diameter = 200 mm  
 32-200/5.5 (5.5kW) – impeller diameter = 224 mm  
 32-200/7.5 (7.5kW) – impeller diameter = 224 mm



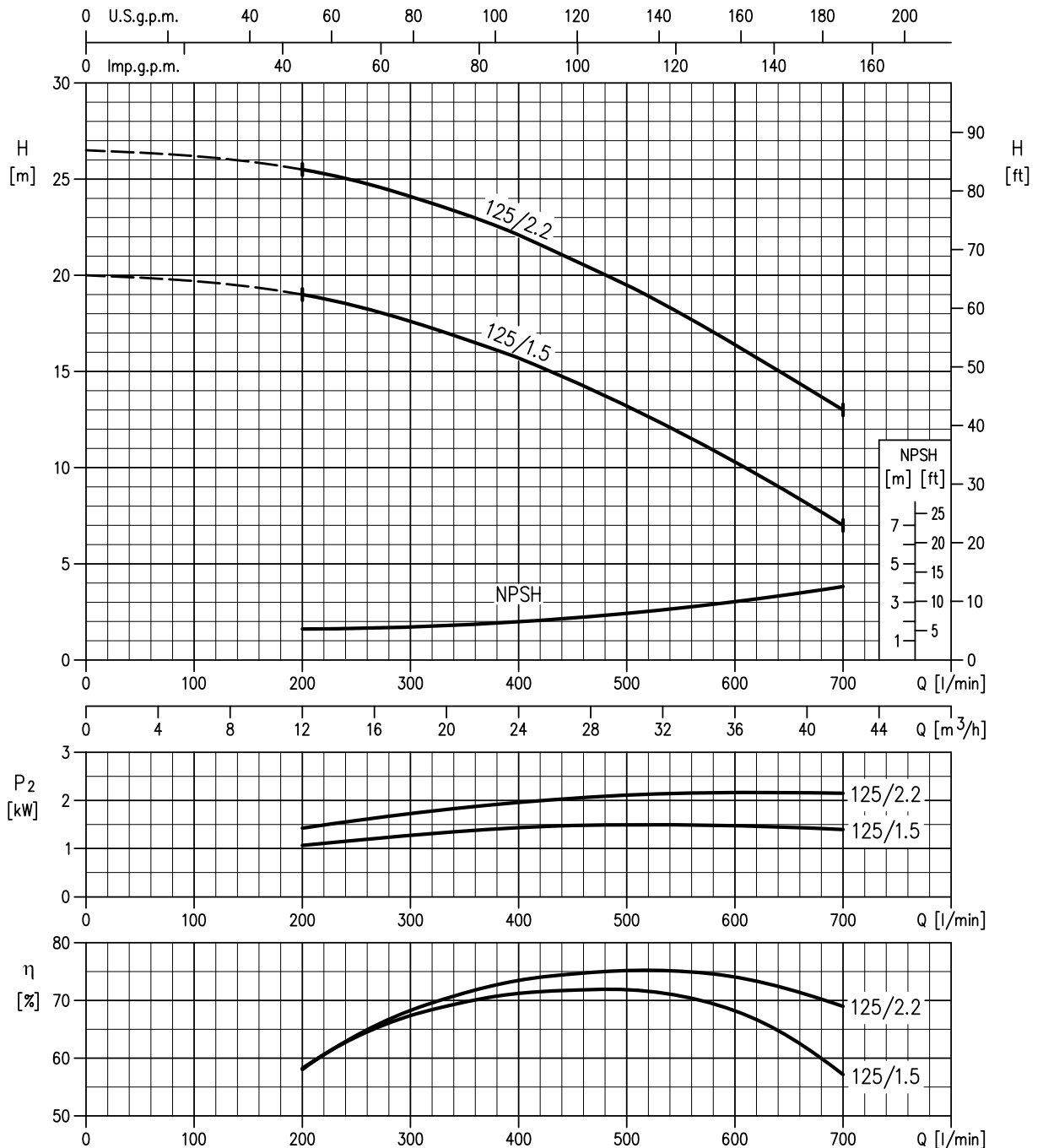
Rotation speed ≈2900 min<sup>-1</sup>  
 Test standard : ISO 9906 Annex A

PERFORMANCE CURVE

50 Hz

Rev. H

40-125/1.5 (1.5kW) – impeller diameter = 125 mm  
 40-125/2.2 (2.2kW) – impeller diameter = 140 mm



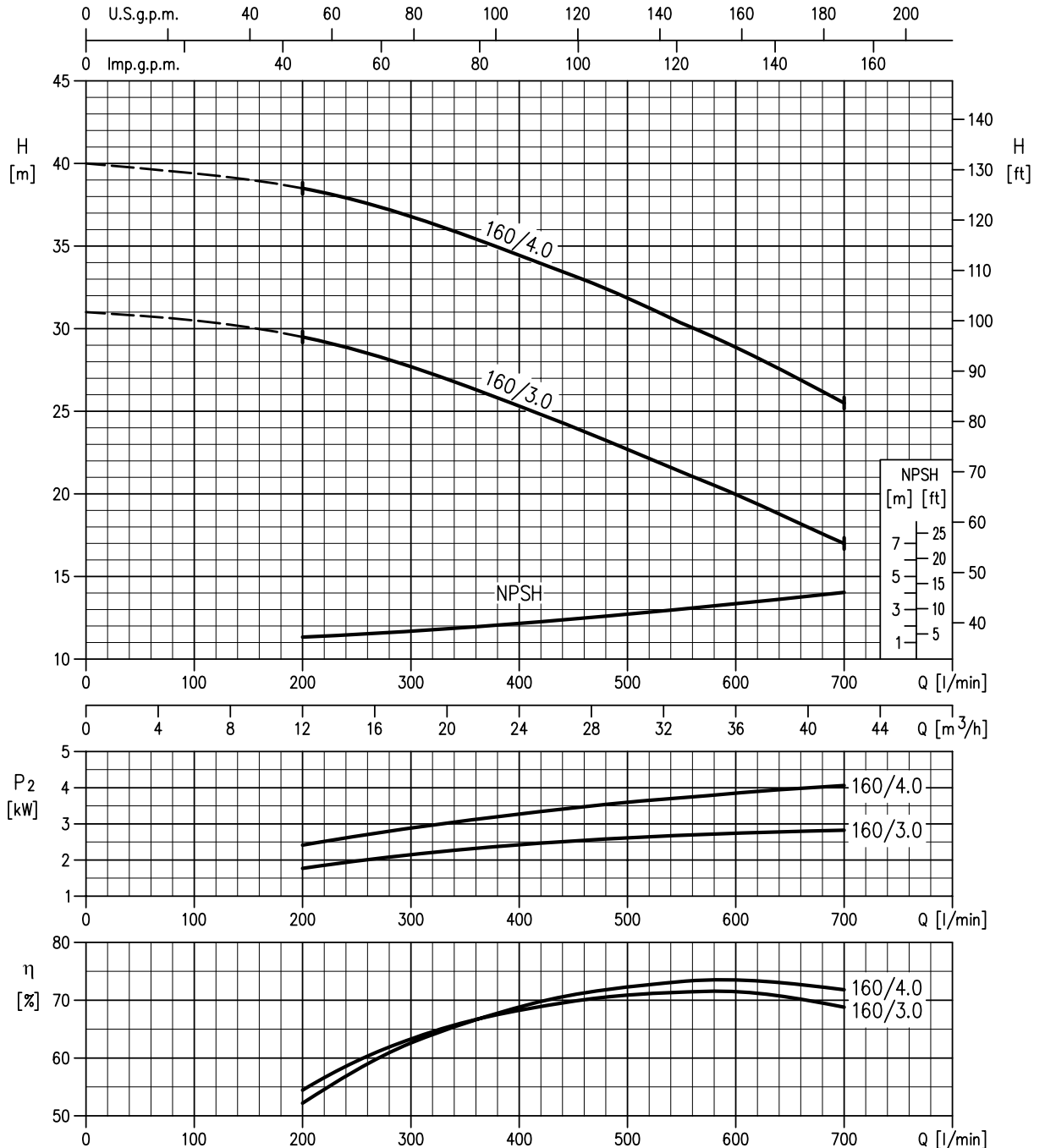
Rotation speed ≈2900 min<sup>-1</sup>  
 Test standard : ISO 9906 Annex A

PERFORMANCE CURVE

50 Hz

Rev. H

40-160/3 (3.0kW) – impeller diameter = 151 mm  
 40-160/4 (4.0kW) – impeller diameter = 166 mm



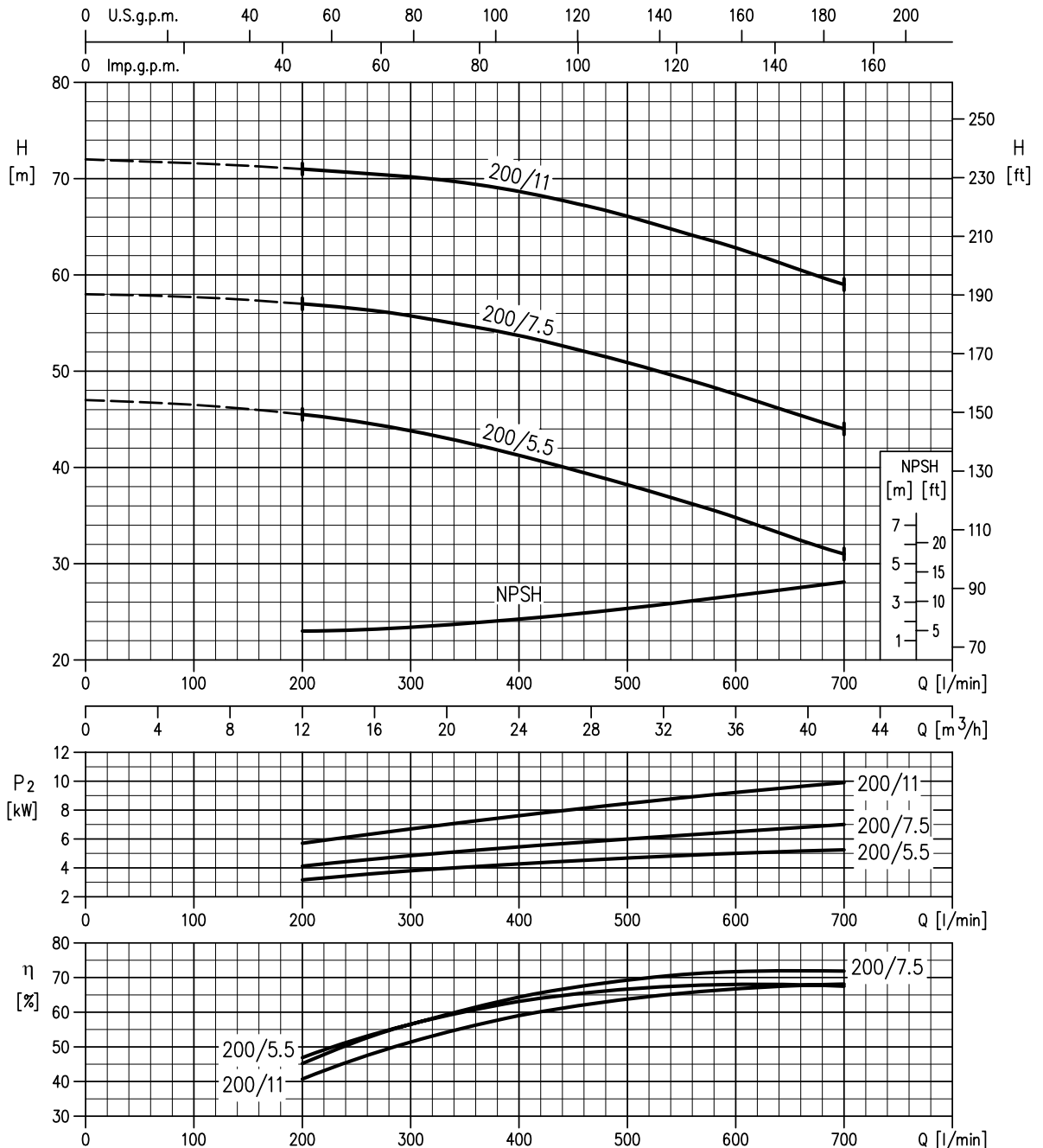
Rotation speed ≈ 2900 min<sup>-1</sup>  
 Test standard : ISO 9906 Annex A

PERFORMANCE CURVE

50 Hz

Rev. H

40-200/5.5 (5.5kW) – impeller diameter = 183 mm  
 40-200/7.5 (7.5kW) – impeller diameter = 200 mm  
 40-200/11 (11kW) – impeller diameter = 224 mm



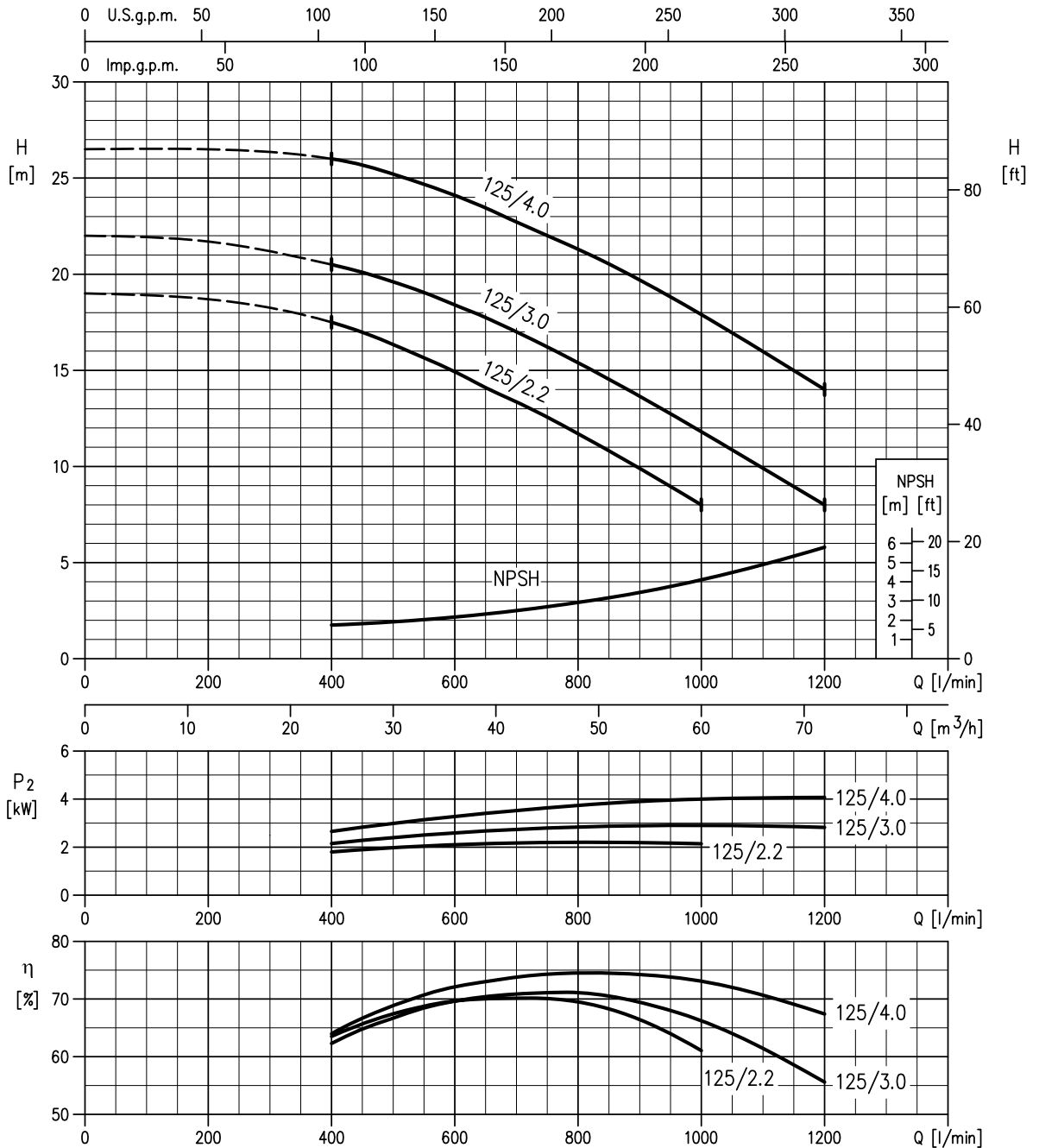
Rotation speed ≈2900 min<sup>-1</sup>  
 Test standard : ISO 9906 Annex A

PERFORMANCE CURVE

50 Hz

Rev. H

50-125/2.2 (2.2kW) – impeller diameter = 126 mm  
 50-125/3 (3.0kW) – impeller diameter = 131 mm  
 50-125/4 (4.0kW) – impeller diameter = 140 mm



Rotation speed ≈ 2900 min<sup>-1</sup>  
 Test standard : ISO 9906 Annex A

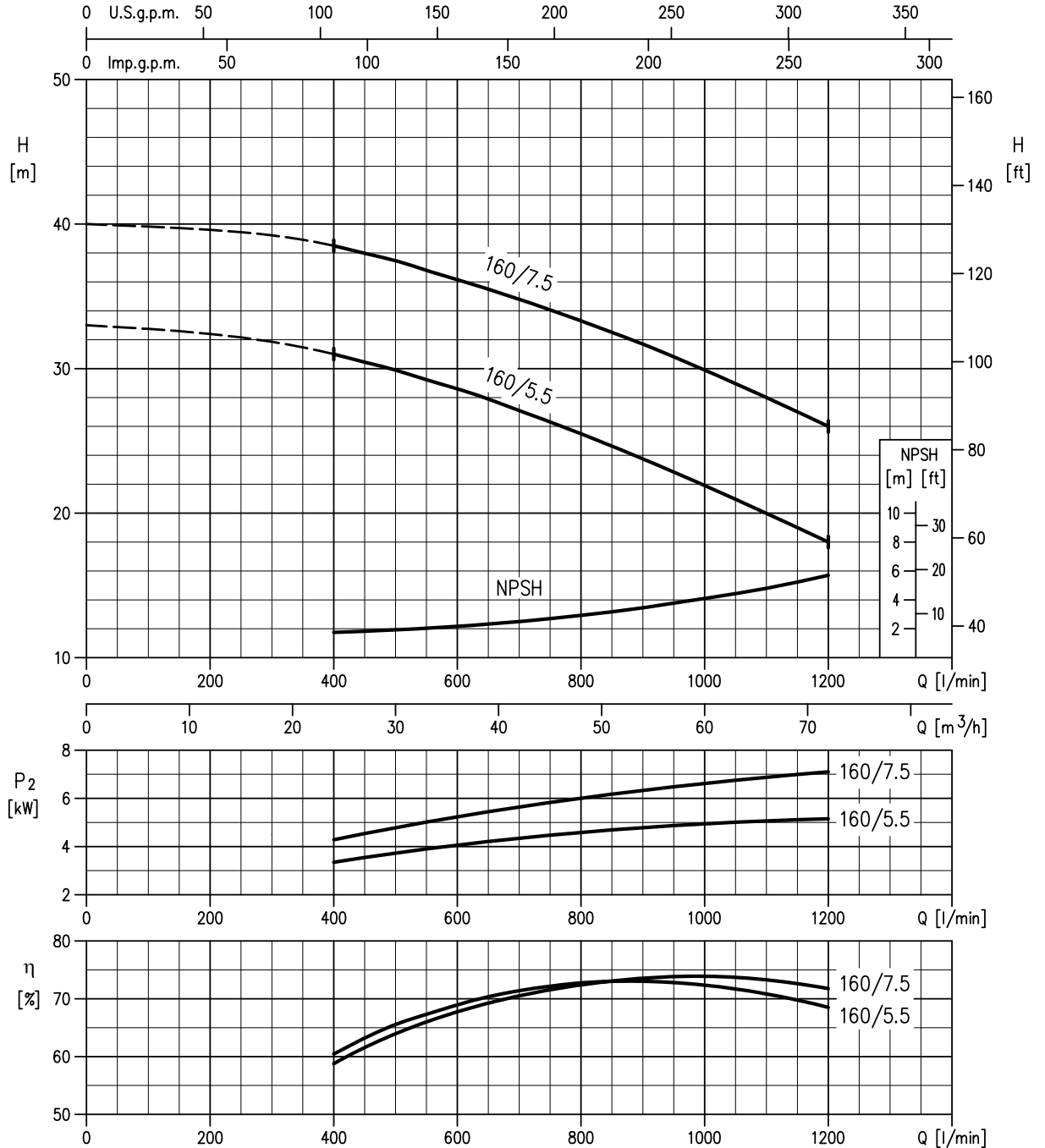


PERFORMANCE CURVE

50 Hz

Rev. H

50-160/5.5 (5.5kW) – impeller diameter = 154 mm  
 50-160/7.5 (7.5kW) – impeller diameter = 166 mm



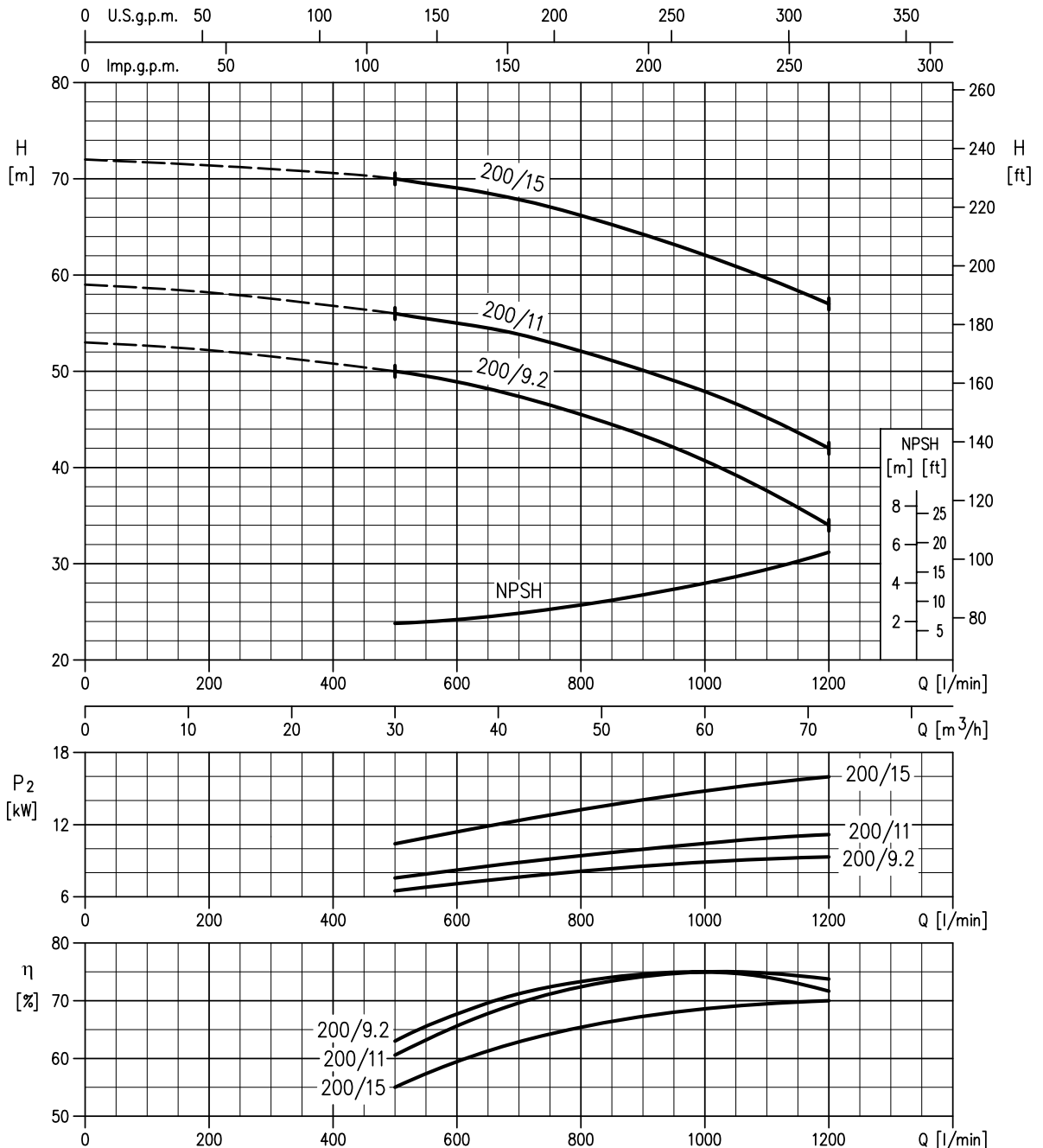
Rotation speed ≈ 2900 min<sup>-1</sup>  
 Test standard : ISO 9906 Annex A

PERFORMANCE CURVE

50 Hz

Rev. H

50-200/9.2 (9.2kW) – impeller diameter = 191 mm  
 50-200/11 (11kW) – impeller diameter = 200 mm  
 50-200/15 (15kW) – impeller diameter = 224 mm



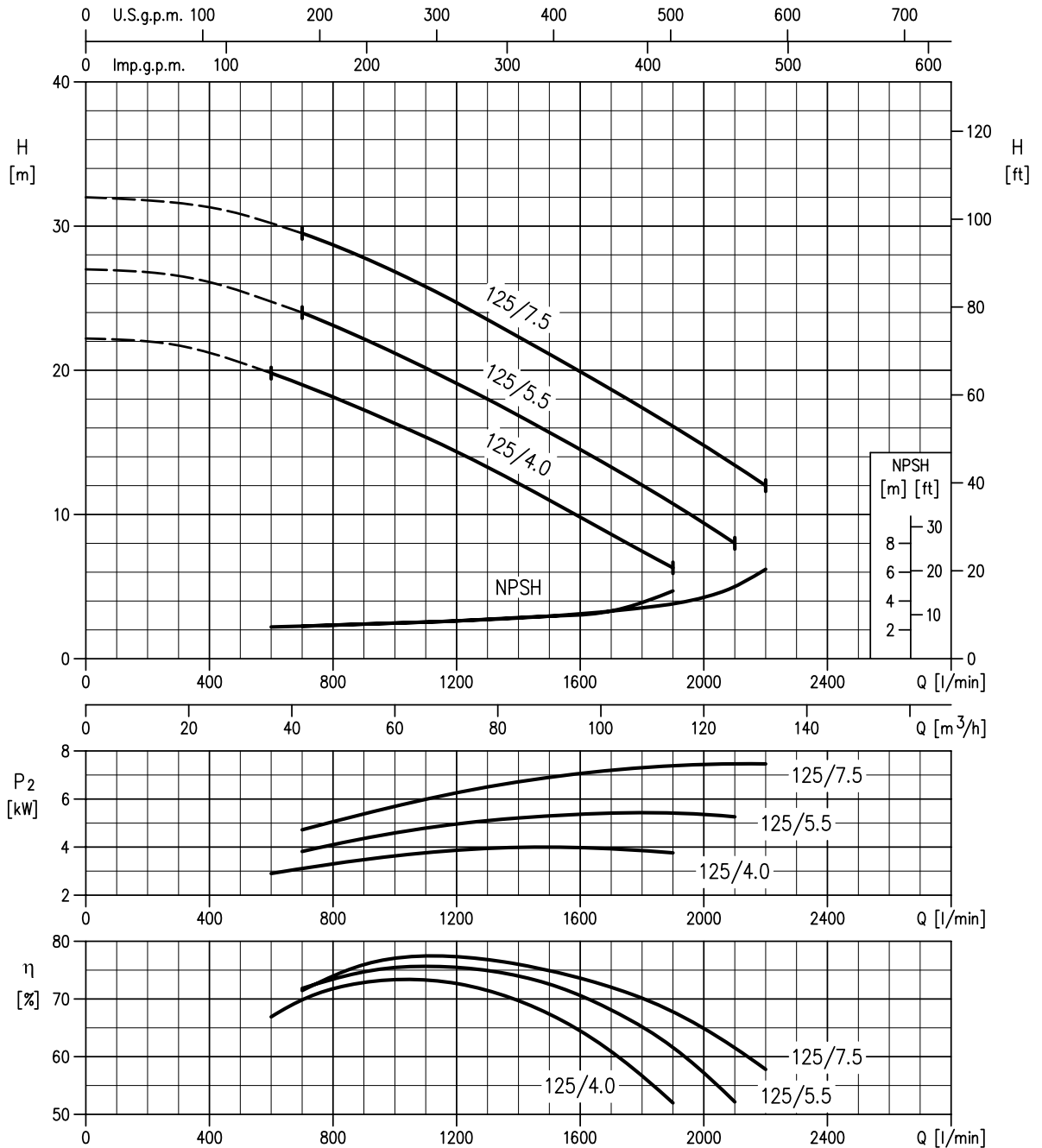
Rotation speed ≈ 2900 min<sup>-1</sup>  
 Test standard : ISO 9906 Annex A

PERFORMANCE CURVE

50 Hz

Rev. H

65-125/4 (4.0kW) – impeller diameter = 128 mm  
 65-125/5.5 (5.5kW) – impeller diameter = 138 mm  
 65-125/7.5 (7.5kW) – impeller diameter = 149 mm



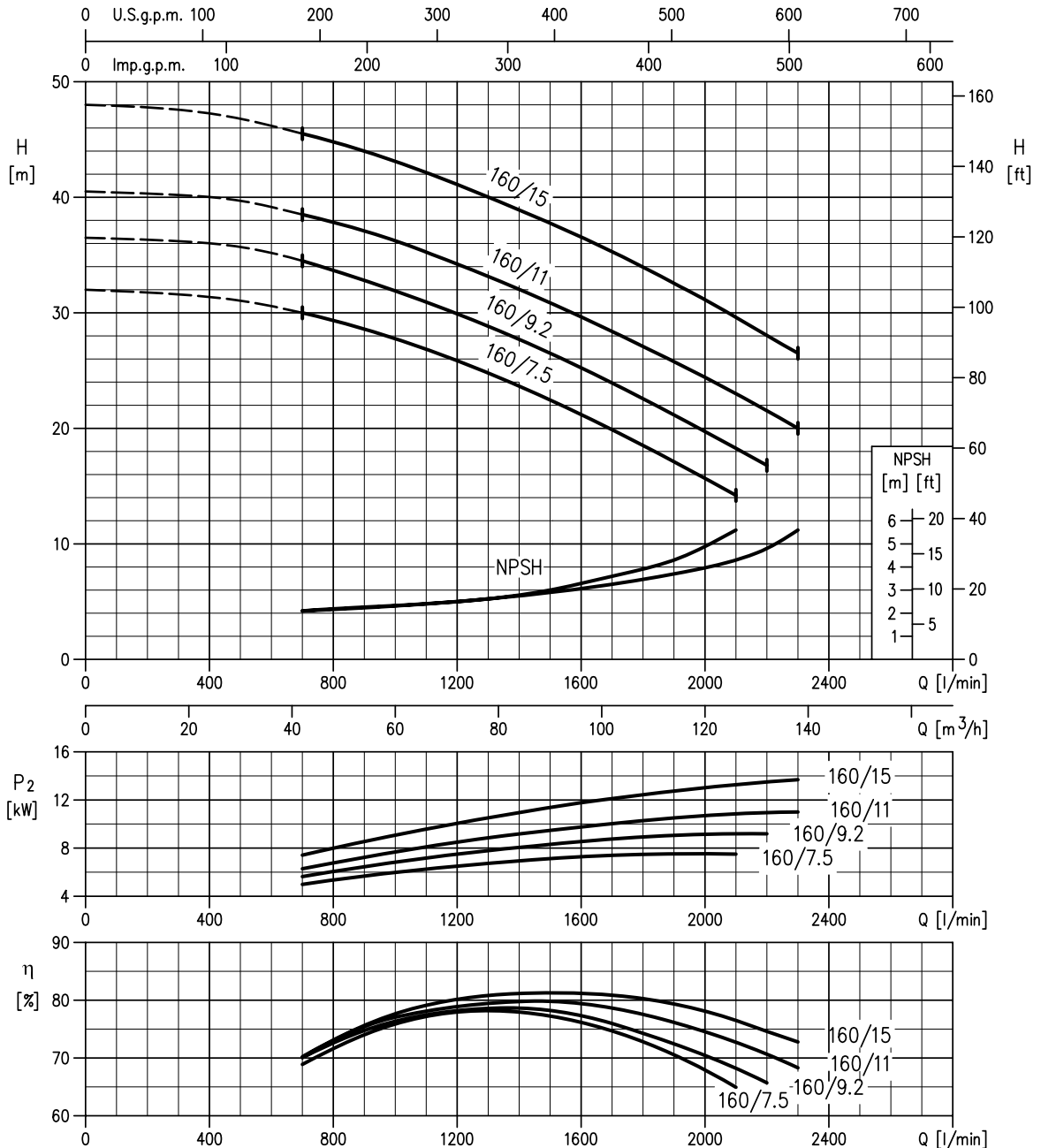
Rotation speed ≈ 2900 min<sup>-1</sup>  
 Test standard : ISO 9906 Annex A

PERFORMANCE CURVE

50 Hz

Rev. H

65-160/7.5 (7.5kW) – impeller diameter = 153 mm  
 65-160/9.2 (9.2kW) – impeller diameter = 161 mm  
 65-160/11 (11kW) – impeller diameter = 168 mm  
 65-160/15 (15kW) – impeller diameter = 178 mm



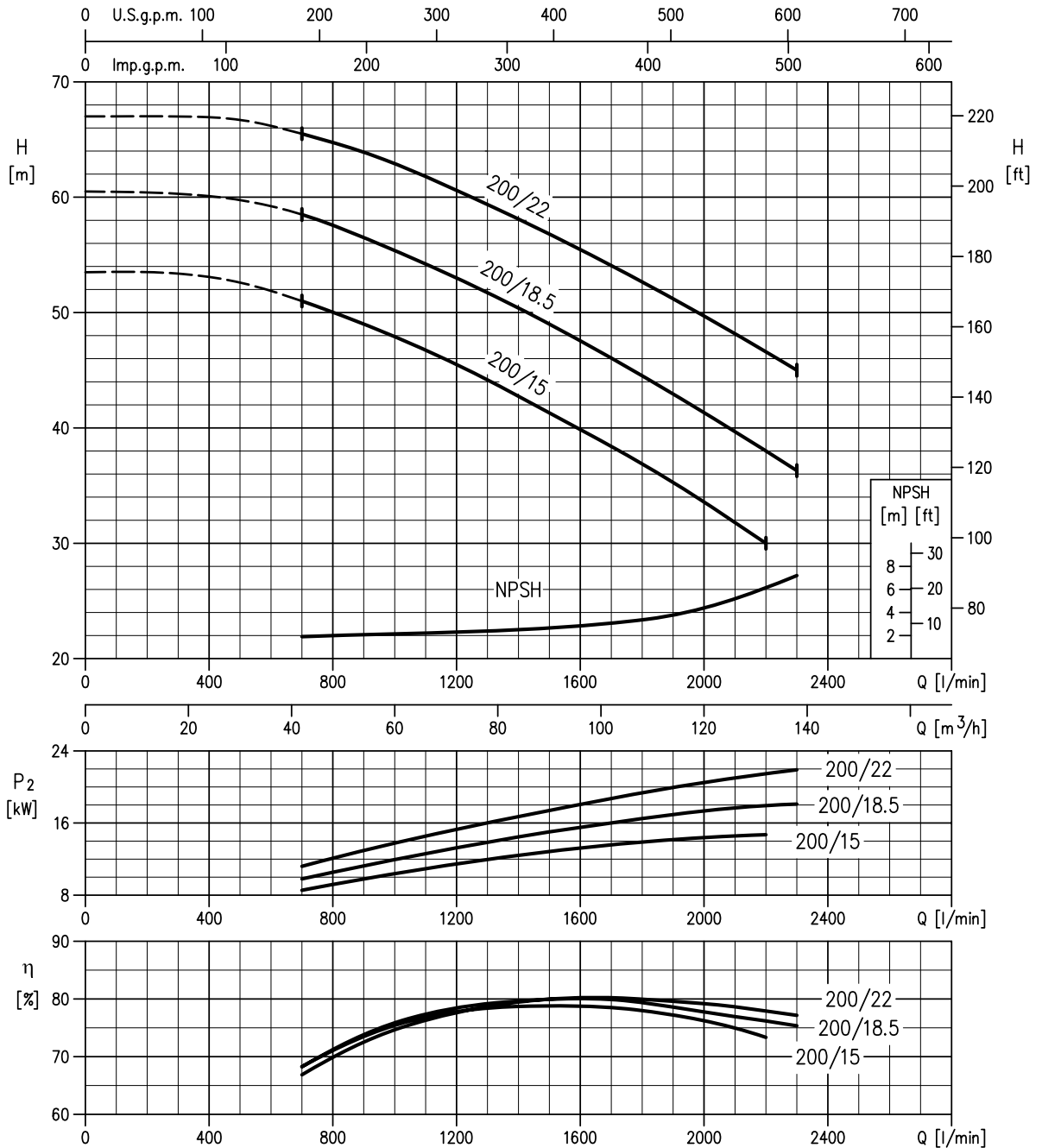
Rotation speed ≈2900 min<sup>-1</sup>  
 Test standard : ISO 9906 Annex A

PERFORMANCE CURVE

50 Hz

Rev. H

65-200/15 (15kW) – impeller diameter = 190 mm  
 65-200/18.5 (18.5kW) – impeller diameter = 201 mm  
 65-200/22 (22kW) – impeller diameter = 212 mm



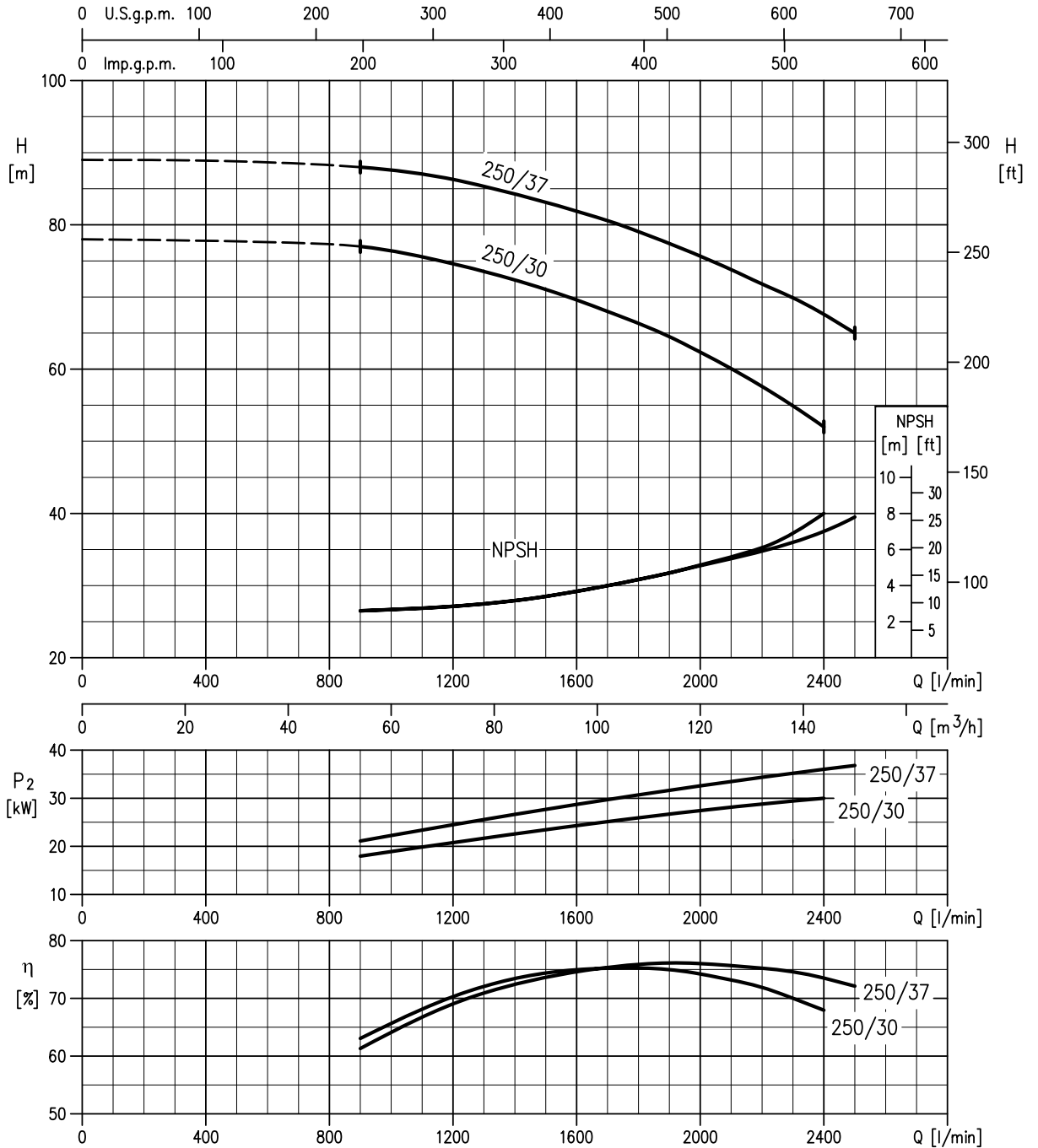
Rotation speed ≈ 2900 min<sup>-1</sup>  
 Test standard : ISO 9906 Annex A

PERFORMANCE CURVE

50 Hz

Rev. H

65-250/30 (30kW) – impeller diameter = 235 mm  
 65-250/37 (37kW) – impeller diameter = 250 mm



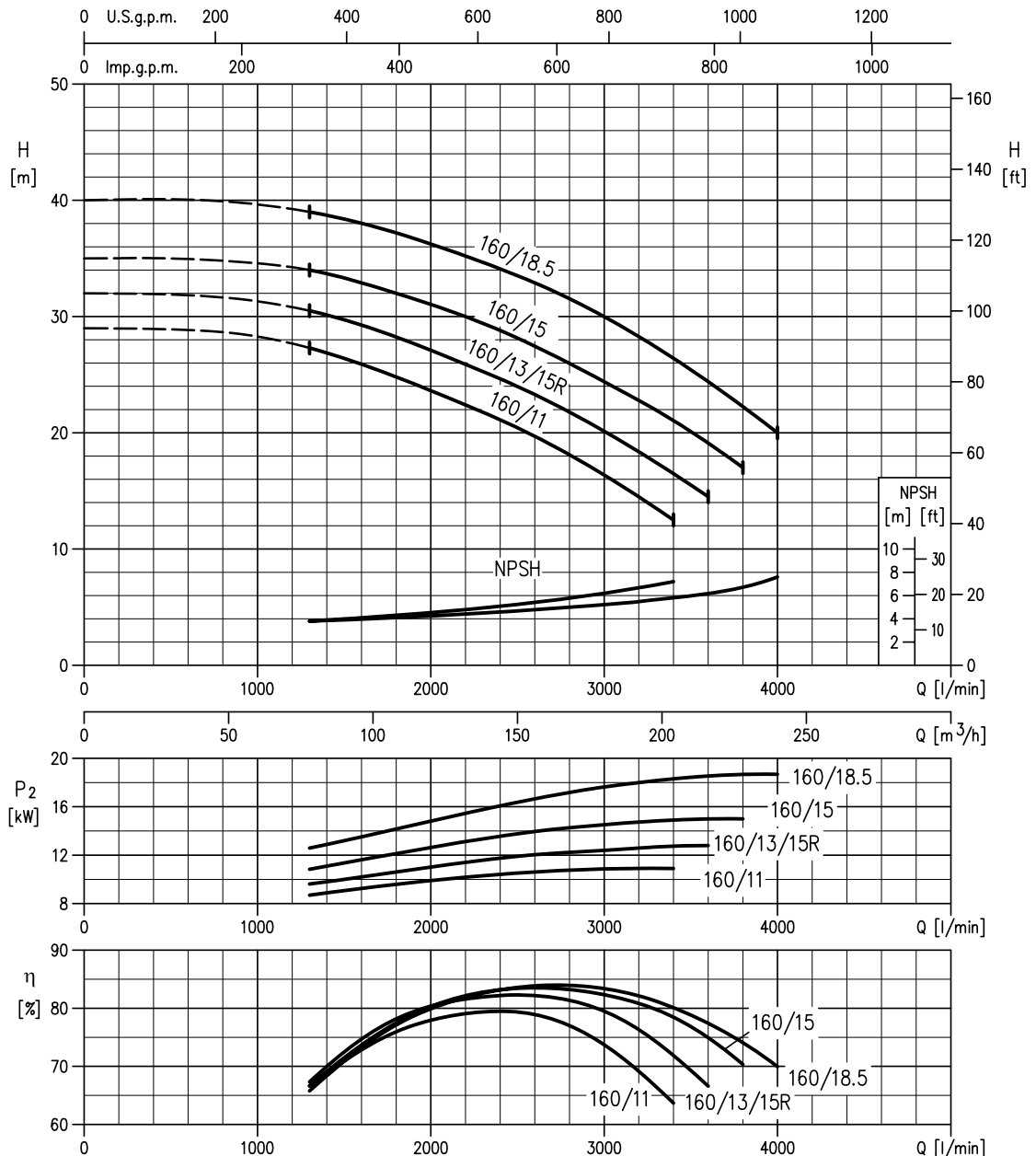
Rotation speed ≈2900 min<sup>-1</sup>  
 Test standard : ISO 9906 Annex A

PERFORMANCE CURVE

50 Hz

Rev. H

- 80-160/11 (11kW) – impeller diameter = 154 mm
- 80-160/13 (13kW) – impeller diameter = 160 mm
- 80-160/15R (15kW) – impeller diameter = 160 mm
- 80-160/15 (15kW) – impeller diameter = 165 mm
- 80-160/18.5 (18.5kW) – impeller diameter = 174 mm



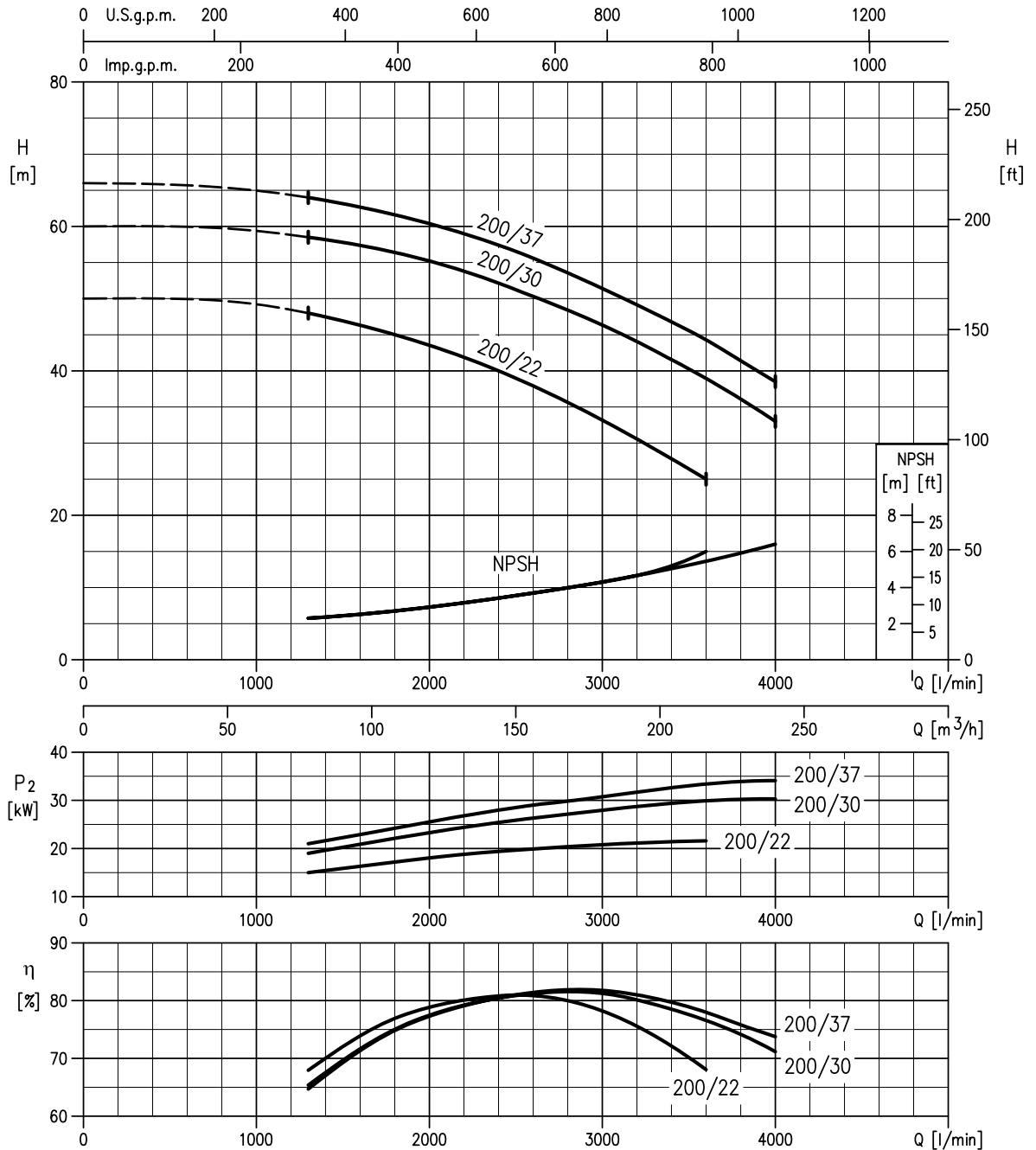
Rotation speed ≈ 2900 min<sup>-1</sup>  
 Test standard : ISO 9906 Annex A

PERFORMANCE CURVE

50 Hz

Rev. H

80-200/22 (22kW) – impeller diameter = 196 mm  
 80-200/30 (30kW) – impeller diameter = 211 mm  
 80-200/37 (37kW) – impeller diameter = 219 mm



Rotation speed ≈ 2900 min<sup>-1</sup>  
 Test standard : ISO 9906 Annex A

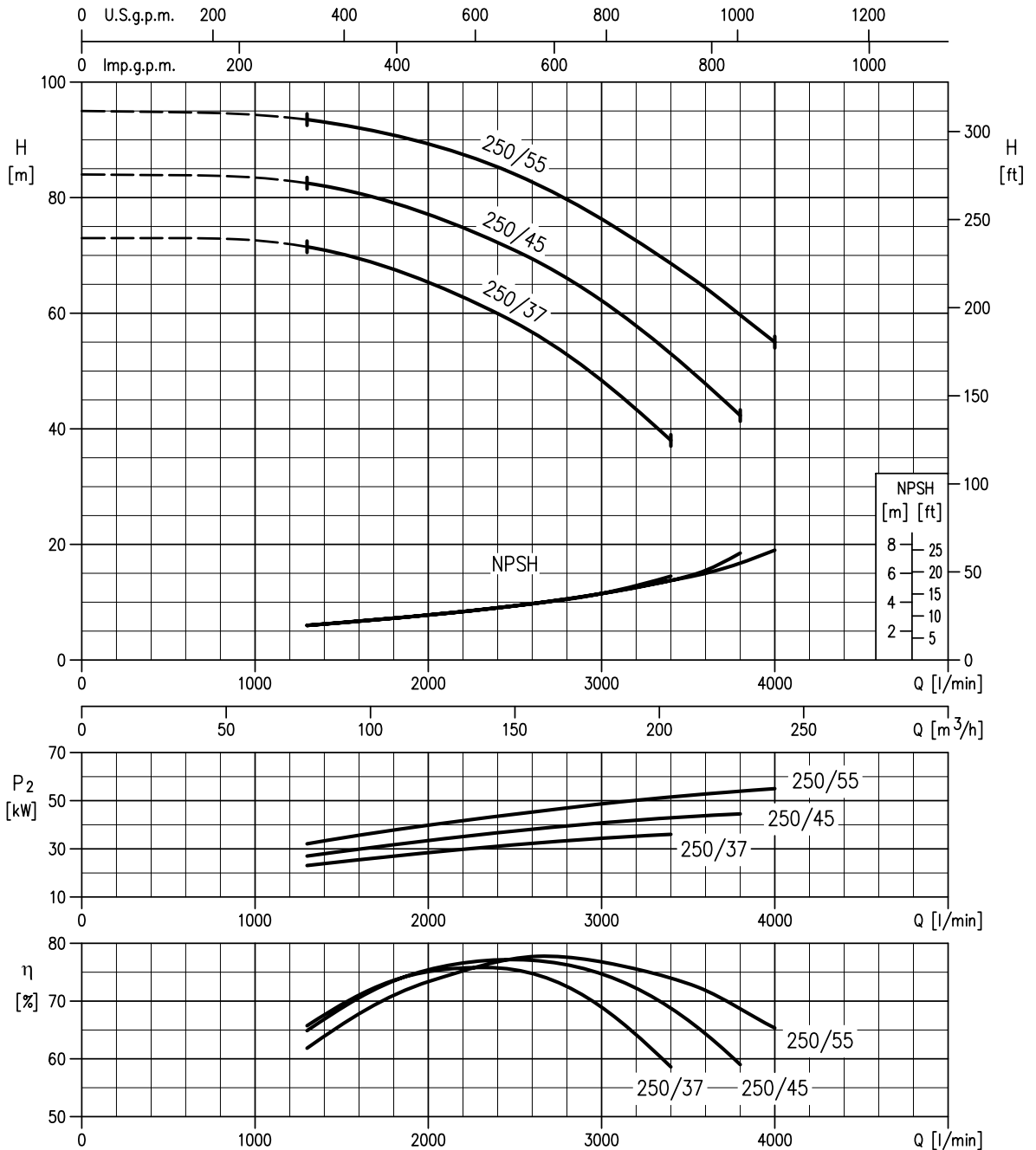


PERFORMANCE CURVE

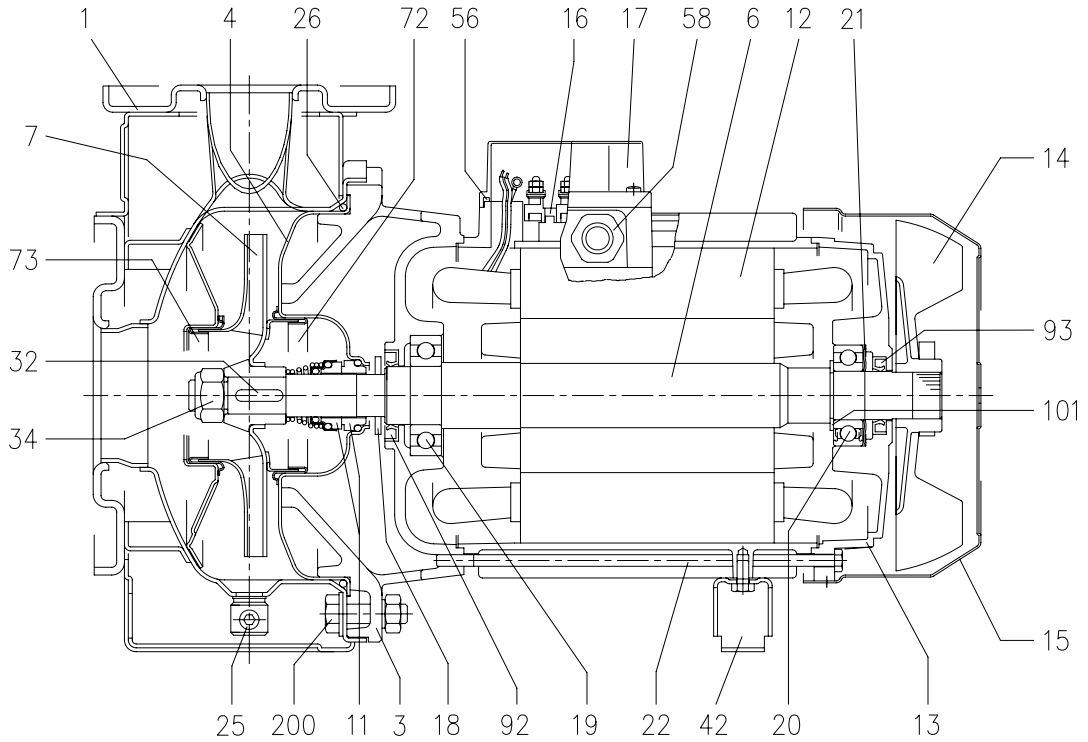
50 Hz

Rev. H

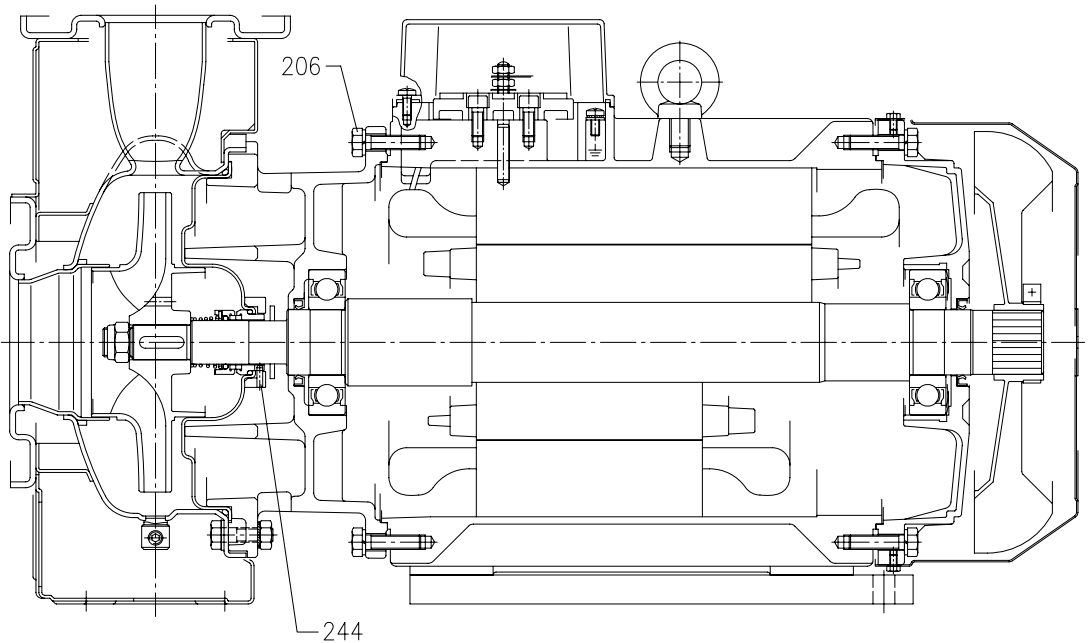
80-250/37 (37kW) – impeller diameter = 230 mm  
 80-250/45 (45kW) – impeller diameter = 245 mm  
 80-250/55 (55kW) – impeller diameter = 259 mm



Rotation speed ≈2900 min<sup>-1</sup>  
 Test standard : ISO 9906 Annex A



**UP TO 11 kW**



**15 kW AND ABOVE**

N°	PART NAME	MATERIAL		DIMENSIONS	STANDARD	N. FOR 1 UNIT	
		3M	3LM				
001	Casing	EN 1.4301 (AISI 304)	EN 1.4404 (AISI 316L)			1	
003	Motor bracket	Cast iron EN-GJL-200-EN 1561				1	
004	Casing cover	EN 1.4301 (AISI 304)	EN 1.4404 (AISI 316L)			1	
006	Shaft with rotor-Part in contact with liquid	EN 1.4301 (AISI 304)	EN 1.4404 (AISI 316L)			1	
007	Impeller	EN 1.4301 (AISI 304)	EN 1.4404 (AISI 316L)			1	
011	Mechanical seal	Carbon/Ceramic/NBR Carbon/Ceramic/FPM (H option) SiC/SiC/FPM (HS option)	SiC/SiC/FPM	See p. 321-325		1	
012	Motor frame with stator	-				1	
013	Motor cover	Aluminium				1	
014	Fan	Poliammide				1	
015	Fan cover	Fe P04 Zinc-coated				1	
016	Terminal	-				1	
017	Terminal box cover	Aluminium (three phase version)				1	
018	Splash ring	NBR	/	40x21.5x3	EBARA DRAWING	[1]	
	Up to 11 kW 15 kW and above			50x29.5x3			
019	Bearing	-		See table p.319		1	
020	Bearing	-		See table p.319		1	
021	Adjusting ring	Steel C70				1	
022	Tie rod	Zn. Steel 8.8 strenght class ISO 898-1	Fe 42 Zinc-coated	M5	EBARA DRAWING	4	
				For 4 - 5.5 - 7.5 kW			M6
				9.2 e 11kW			M8
	15 kW and above			M10x40			
25	Draining plug	EN 1.4401 (AISI 316) / PTFE		R 1/8" L=8	DIN 906	1	
026	"O" ring	NBR FPM (H-HS option)	FPM	32-125, 40-125	158.11x5.34	OR 6625	
				32-160, 40-160, 50-125, 65-160	183.52x5.34	OR 6720	
				32-200, 40-200, 50-160, 50-200, 65-160, 65-200	227.96x5.34	OR 6895	
				Up to 11 kW 15 kW and above			
032	Key	EN 1.4401 (AISI 316)		A 6x6x25	UNI 6604	1	
		Up to 11 kW 15 kW and above	A 8x7x30				
034	Impeller nut	EN 1.4301 (AISI 304)	EN 1.4404 (AISI 316L)	M16x1.5	UNI 7474	1	
				Up to 11kW			M18x1.5
				50-200/15			M20x1.5
				15 kW and above			
042	Foot	Aluminium / Zinc-coated steel			EBARA DRAWING	[2]	
056	Box gasket	NBR				1	
058	Fasting nut	-				[3]	
072	Casing ring [4]	EN 1.4301 (AISI 304)	EN 1.4404 (AISI 316L)			1	
073	Casing ring	EN 1.4301 (AISI 304)	EN 1.4404 (AISI 316L)			1	
092	Lip seal	-	-	Up to 3kW	25x40x7	DIN 3760 without spring	
				From 4 to 7.5 kW	30x47X7		
				From 9.2 kW to 11 kW	40x55x7		
				From 15 kW to 22 kW	45x60x7		
093	Lip seal	-	-	Up to 4 kW	25x40x7	DIN 3760 without spring	
				From 5.5 kW to 7.5 kW	30x47X7		
				From 9.2 kW to 11 kW	40x55x7		
				From 15 kW to 22 kW	45x60x7		
101	Snap ring (only 9.2 and 11kW)	Carbon tool steels TC 80		Ø 40	UNI 7435	1	
200	Screw	Stainless steel A2 70 class ISO 3506/1		M 8x30	UNI 5739	8	
		32-125, 40-125 40-160, 40-200, 50-125, 50-160, 50-200, 65-125, 65-160, 65-200	M 10x35	UNI 5739	[5]		
206	Screw for bracket [6]	Zn. Steel 8.8 strenght class ISO 898-1		M 10x40	UNI 5739	4	
244	Pin [7]	-	EN 1.4301 (AISI 304)	4x15		1	

Counterflange kit on request, see table p. 328-329

[1] Not for L version

[2] N° for 1 unit=0 for 65-160/15

N° for 1 unit=1 for 32-40-50 and 65 up to 11kW

N° for 1 unit=2 for 65-200/15, 65-200/18.5, 65-200/22

[3] N° for 1 unit=1 up to 11kW

N° for 1 unit=2 from 15kW to 22kW

[4] For version 32-200/3, 32-200/4, 32-200/5.5, 40-200/5.5, 40-200/7.5, 40-200/11, 50-160/5.5, 50-160/7.5, 50-200/9.2, 50-200/11, 50-200/15

[5] N° for 1 unit=10 for 32-160, 40-160, 50-125, 65-125

N° for 1 unit=12 for 32-200, 40-200, 50-160, 50-200, 65-160, 65-200

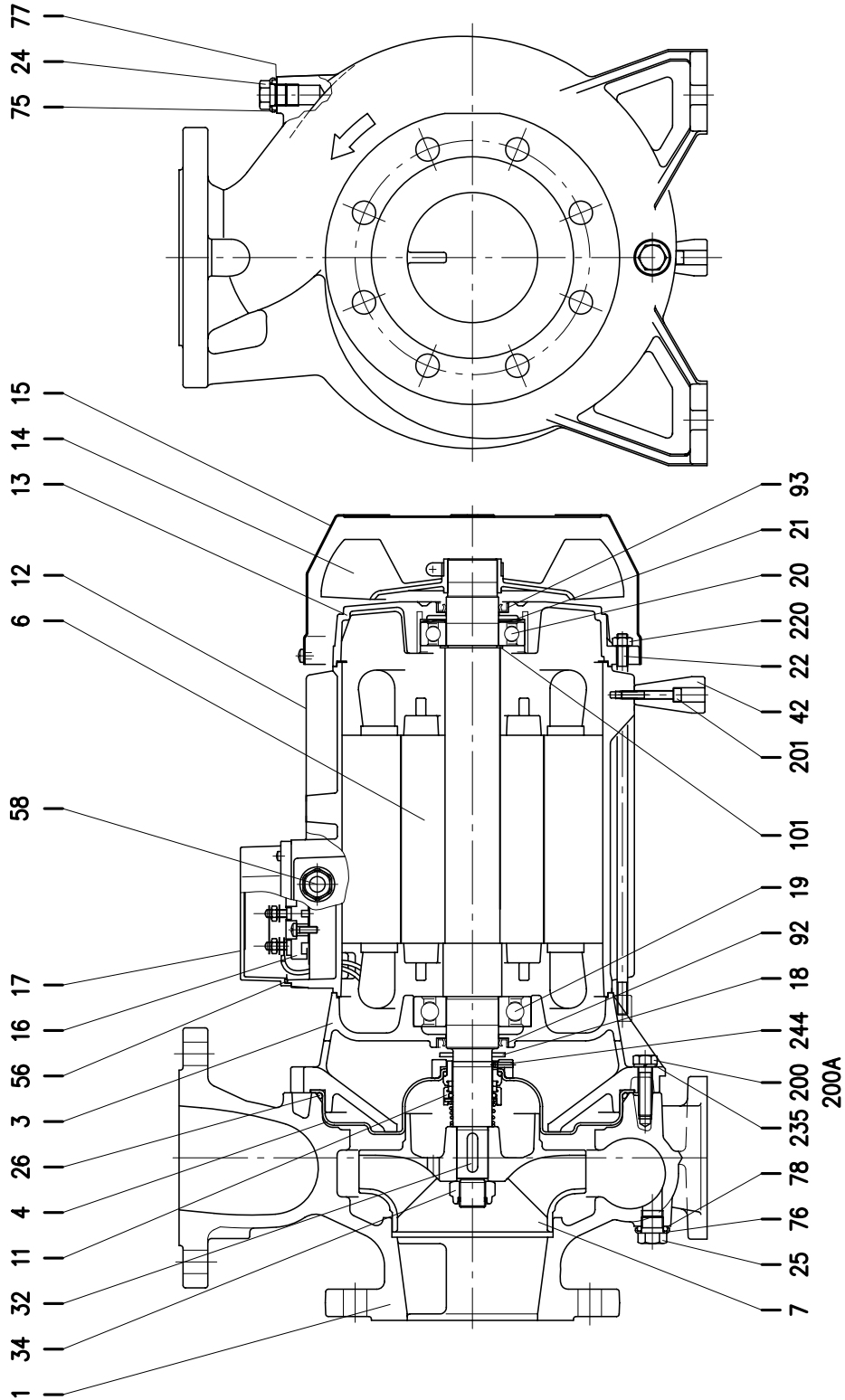
[6] For 15kW and above

[7] Only for 65-160/15 and 65-200

CONSTRUCTIONS **3LM 80-160**

50 Hz

Rev. H

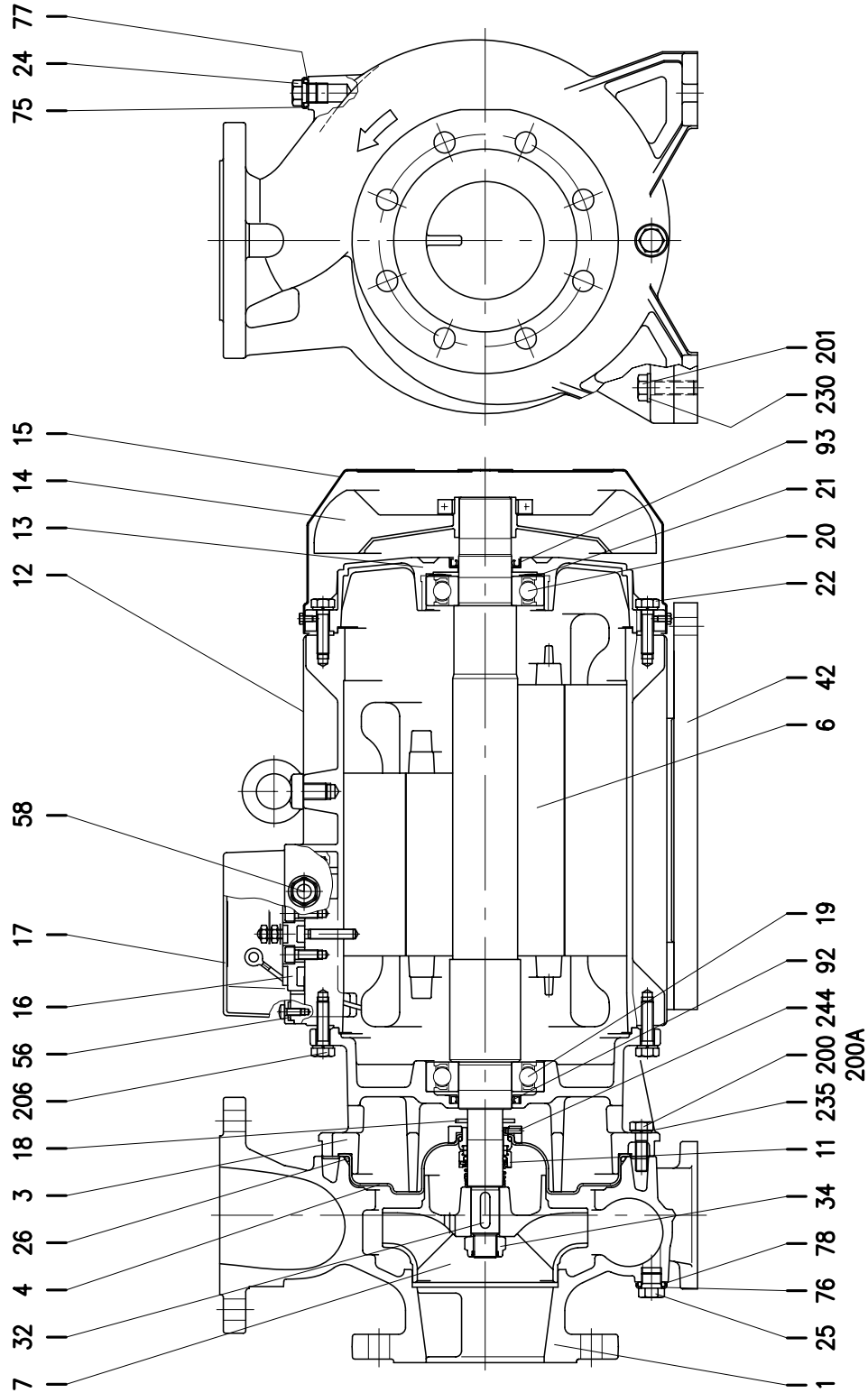


80-160/11 - 80-160/13

CONSTRUCTIONS **3LM 80-160**

50 Hz

Rev. H



80-160/15 - 80-160/18.5

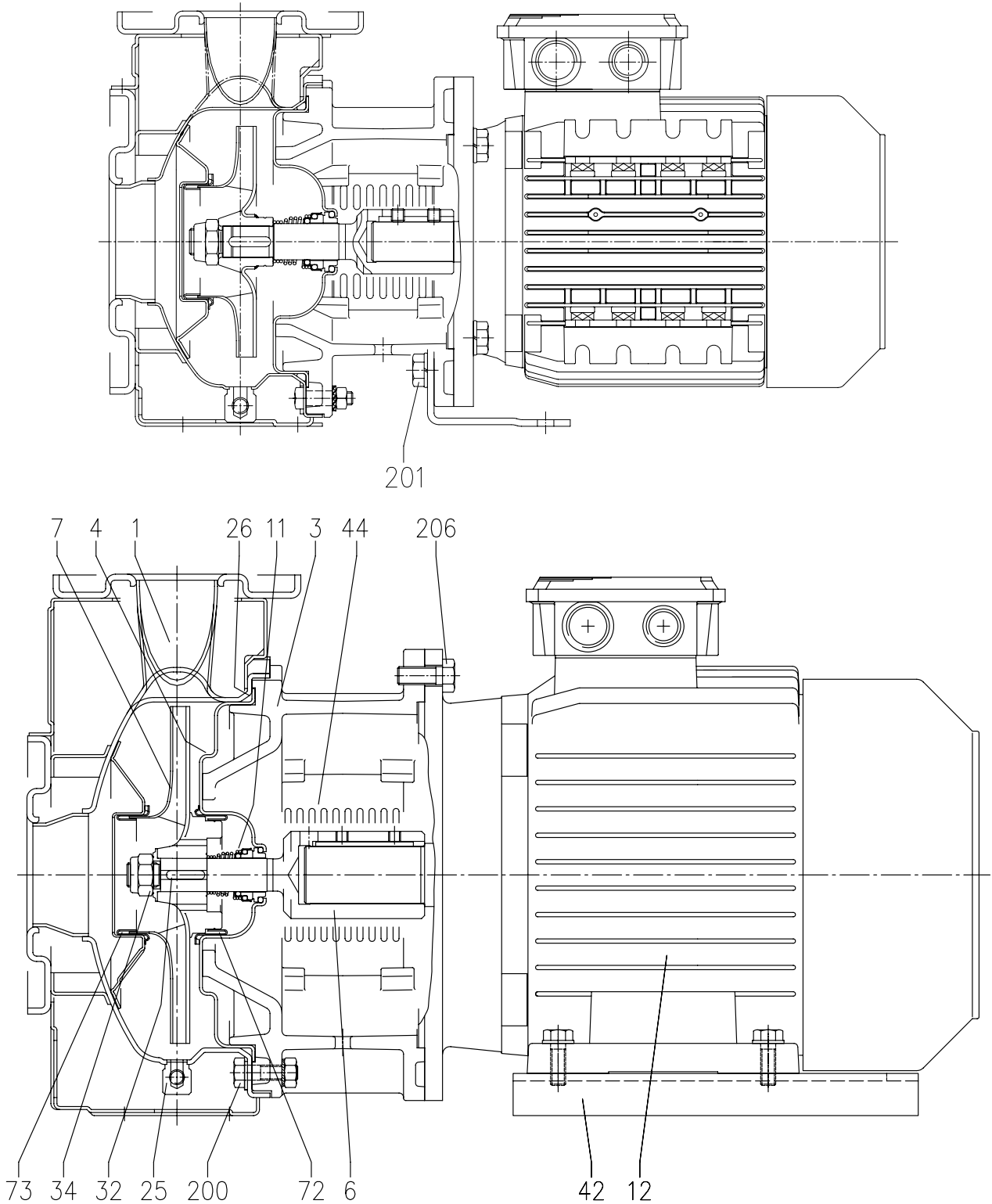
N°	PART NAME	MATERIAL	DIMENSIONS	STANDARD	N. FOR 1 UNIT
001	Casing	EN 1.4401 (AISI 316)			1
003	Motor bracket	Cast iron EN-GJL-200-EN 1561			1
004	Casing cover	EN 1.4404 (AISI 316L)			1
006	Shaft with rotor	EN 1.4404(AISI 316L) -Part in contact with liquid			1
007	Impeller	EN 1.4401 (AISI 316)			1
011	Mechanical seal	SiC/SiC/FPM Ceramic/Carbon/FPM (H option) SiC/Carbon/EPDM (E option)	See p. 321-325		1
012	Motor frame with stator	-			1
013	Motor cover	Aluminium			1
014	Fan	Poliamide			1
015	Fan cover	Fe P04 Zinc-coated			1
016	Terminal	-			1
017	Terminal box cover	Aluminium			1
018	Splash ring	NBR	50x29.5x3	EPE DRAWING	1
019	Bearing	-	See table p. 319		1
020	Bearing	-	See table p. 319		1
021	Adjusting ring	Steel C70			1
022	Screw	Zn. Steel 8.8 strenght class ISO 898/1		EPE DRAWING	4
024	Plug	EN 1.4404 (AISI 316L)	G 3/8	EPE DRAWING	1
025	Plug	EN 1.4404 (AISI 316L)	G 3/8	EPE DRAWING	1
026	"O" ring	FPM	227.96x5.34	OR 6895	1
032	Key	EN 1.4404 (AISI 316L)	8x7x30	UNI 6604	1
034	Impeller nut	Aluminium	M20x1.5	UNI 7474	1
042	Foot	Aluminium		EPE DRAWING	[1]
056	Box gasket	NBR			1
058	Fasting nut	-			[2]
075	Washer (plug)	EN 1.4404 (AISI 316L)			1
076	Washer (plug)				1
077	O-ring (plug)	FPM			1
078	O-ring (plug)	EPDM (E option)			1
092	Lip seal	11 - 13 kW 15 - 18.5 kW	40x55x7 45x60x7	DIN 3760 without spring	1 1
093	Lip seal	11 - 13 kW 15 - 18.5 kW	40x55x7 45x60x7	DIN 3760 without spring	1 1
101	Snap ring (only 11 - 13 kW)	Carbon tool steels TC 80	Ø 40	UNI 7435	1
200	Screw	Stainless steel A2-70 class ISO 3506/1	M 10x35	UNI 5739	10
200A	Screw		M 10x30		2
201	Screw	11 - 13 kW 15 - 18.5 kW	M 6x40 M 12x40	UNI 5739	1 4
206	Screw for bracket (only 15 - 18.5 kW)	Zincked steel 8.8 strenght class ISO 898/1	M 10x40	UNI 5739	4
220	Nut for tie rod (only 11 - 13 kW)	Zincked steel	M10		4
230	Washer	11 - 13 kW 15 - 18.5 kW	- 13x24x2.5	- UNI 6592	- 4
235	Washer	EN 1.4301(AISI 304)	10.5	UNI 8842	12
244	Pin [3]	EN 1.4301(AISI 304)	4x15		1

Counterflange kit on request, see p. 328-329

[1] N° for 1 unit=1 for version 80-160/11 and 80-160/13  
N° for 1 unit=2 for version 80-160/15 and 80-160/18.5

[2] N° for 1 unit=1 for version 80-160/11 and 80-160/13  
N° for 1 unit=2 for version 80-160/15 and 80-160/18.5

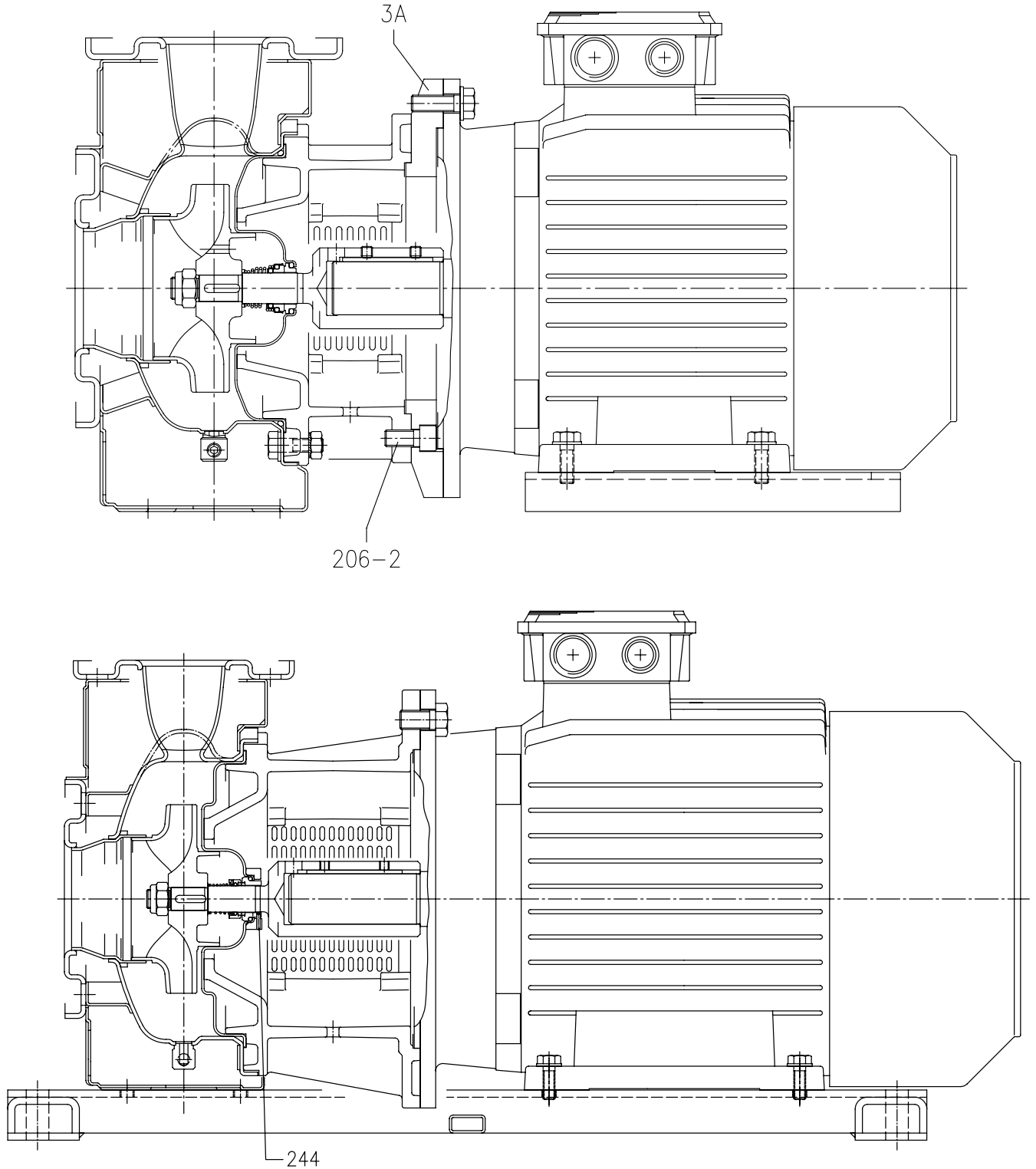
[3] Not for H and E version



CONSTRUCTIONS 3(.)S 65

50 Hz

Rev. H





N°	PART NAME	MATERIAL		DIMENSIONS	STANDARD	N. FOR 1 UNIT	
		3S	3LS				
001	Casing	EN 1.4301 (AISI 304)	EN 1.4404 (AISI 316L)			1	
003	Motor bracket	Cast iron EN-GJL-200-EN 1561				1	
003A	Adapter ring [1]	Cast iron EN-GJL-200-EN 1561				1	
004	Casing cover	EN 1.4301 (AISI 304)	EN 1.4404 (AISI 316L)			1	
006	Coupling - Part in contact with liquid	EN 1.4301 (AISI 304)	EN 1.4404 (AISI 316L)	See table p. 326		1	
007	Impeller	EN 1.4301 (AISI 304)	EN 1.4404 (AISI 316L)			1	
011	Mechanical seal	Carbon/Ceramic/NBR Carbon/Ceramic/FPM (H option) SiC/SiC/FPM (HS option)	SiC/SiC/FPM	See p. 321-325		1	
012	Motor	-				1	
025	Draing plug	EN 1.4401 (AISI 316) / PTFE		R 1/8" L=8	DIN 906	1	
026	"O" ring	NBR FPM (version H and HS)	FPM	32-125, 40-125	158.11x5.34	OR 6625	1
				32-160, 40-160, 50-125, 65-125	183.52x5.34	OR 6720	
				32-200, 40-200, 50-160, 50-200, 65-160, 65-200	227.96x5.34	OR 6895	
032	Key	Up to 11 kW	EN 1.4401 (AISI 316)	15 kW and above	6x6x25	UNI 6604	1
					8x7x30		
034	Impeller nut	EN 1.4301 (AISI 304)	EN 1.4404 (AISI 316L)	Up to 11kW	M16x1.5	UNI 7474	1
				50-200/15	M18x1.5		
				15 kW and above	M20x1.5		
042	Foot	Aluminium / Zinc-coated steel				[2]	
044	Protection	EN 1.4301 (AISI 304)			EBARA DRAWING	1	
072	Casing ring [3]	EN 1.4301 (AISI 304)	EN 1.4404 (AISI 316L)			1	
073	Casing ring (not for 65 version)	EN 1.4301 (AISI 304)	EN 1.4404 (AISI 316L)			1	
200	Screw	32-125, 40-125	Stainless steel A2 70 class ISO 3506/1	M 8x30	UNI 5739	8	
				40-160, 40-200, 50-125, 50-160, 50-200, 65-125, 65-160, 65-200	M 10x35	UNI 5739	[4]
201	Screw	Zn. Steel 8.8 strenght class ISO 898/1		M 10x16	UNI 5739	[5]	
206	Screw for bracket	Zn. Steel 8.8 strenght class ISO 898/1		M 10x40	UNI 5739	4	
206-2	Screw adapter ring [1]	Zn. Steel 8.8 strenght class ISO 898/1			UNI 5931	4	
244	Pin [6]	-	EN 1.4301 (AISI 304)		UNI 5931	4	

Counterflange kit on request see p. 328-329

[1] Only for version 65-125/5.5 and 65-125/7.5

[2] N° for 1 unit=0 for version 65-200/22

N° for 1 unit=1 for version for 32, 40, 50, 65-125/5.5, 65-125/7.5, 65-160/11, 65-160/15, 65-200/15, 65-200/18.5

N° for 1 unit=2 for version for 65-125/4, 65-160/7.5, 65-160/9.2

[3] Only for version 32-200, 40-200, 50-160, 50-200

[4] N° for 1 unit=10 for 32-160, 40-160, 50-125, 65-125

N° for 1 unit=12 for 32-200, 40-200, 50-160, 50-200, 65-160, 65-200

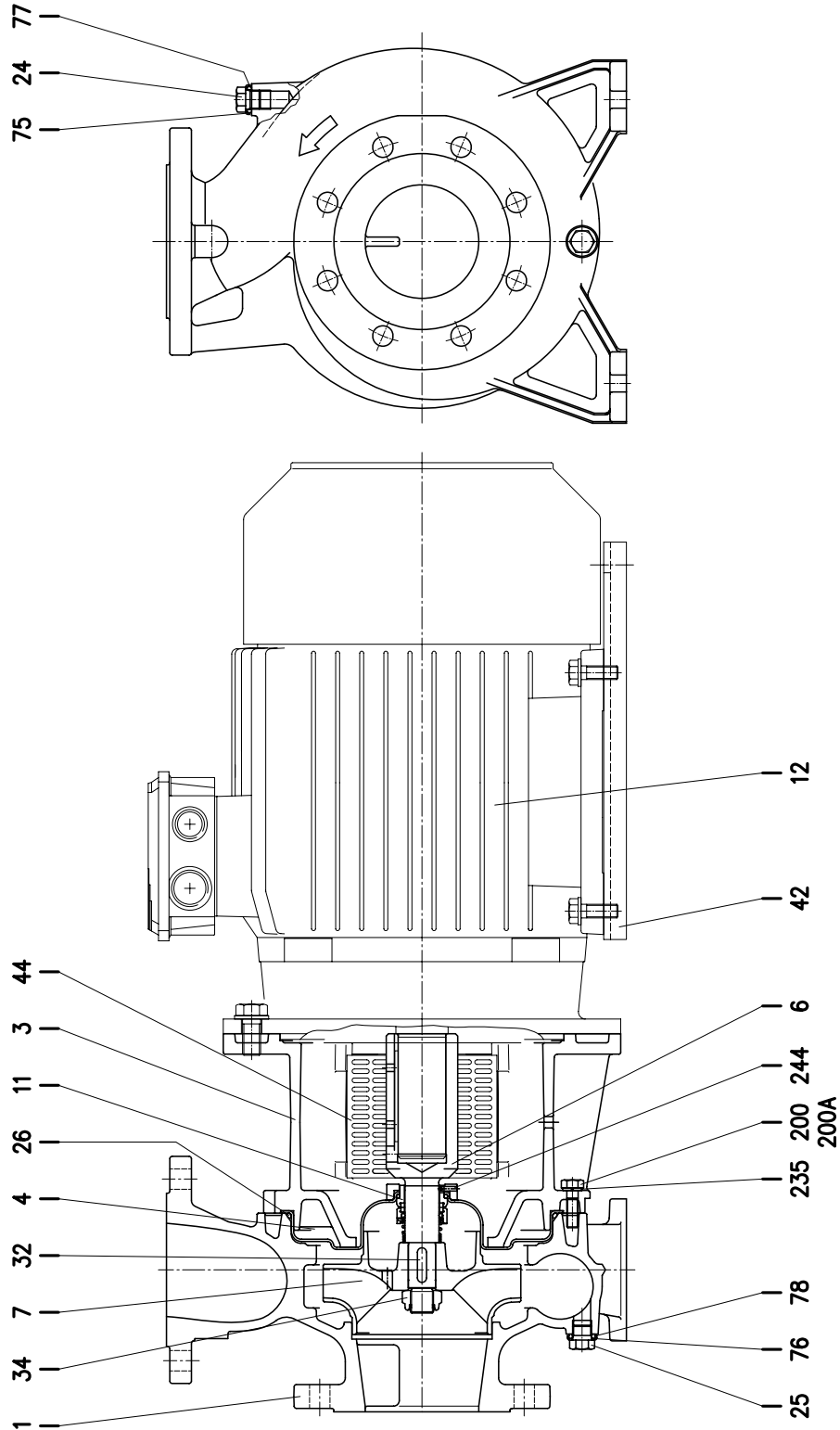
[5] Only for version 32-125/1.1, 32-160/1.5, 32-160/1.5, 32-160/2.2, 40-125/1.5, 40-125/2.2, 50-125/2.2

[6] Only for 65-160/15, 65-200

CONSTRUCTIONS **3LS 80-160**

50 Hz

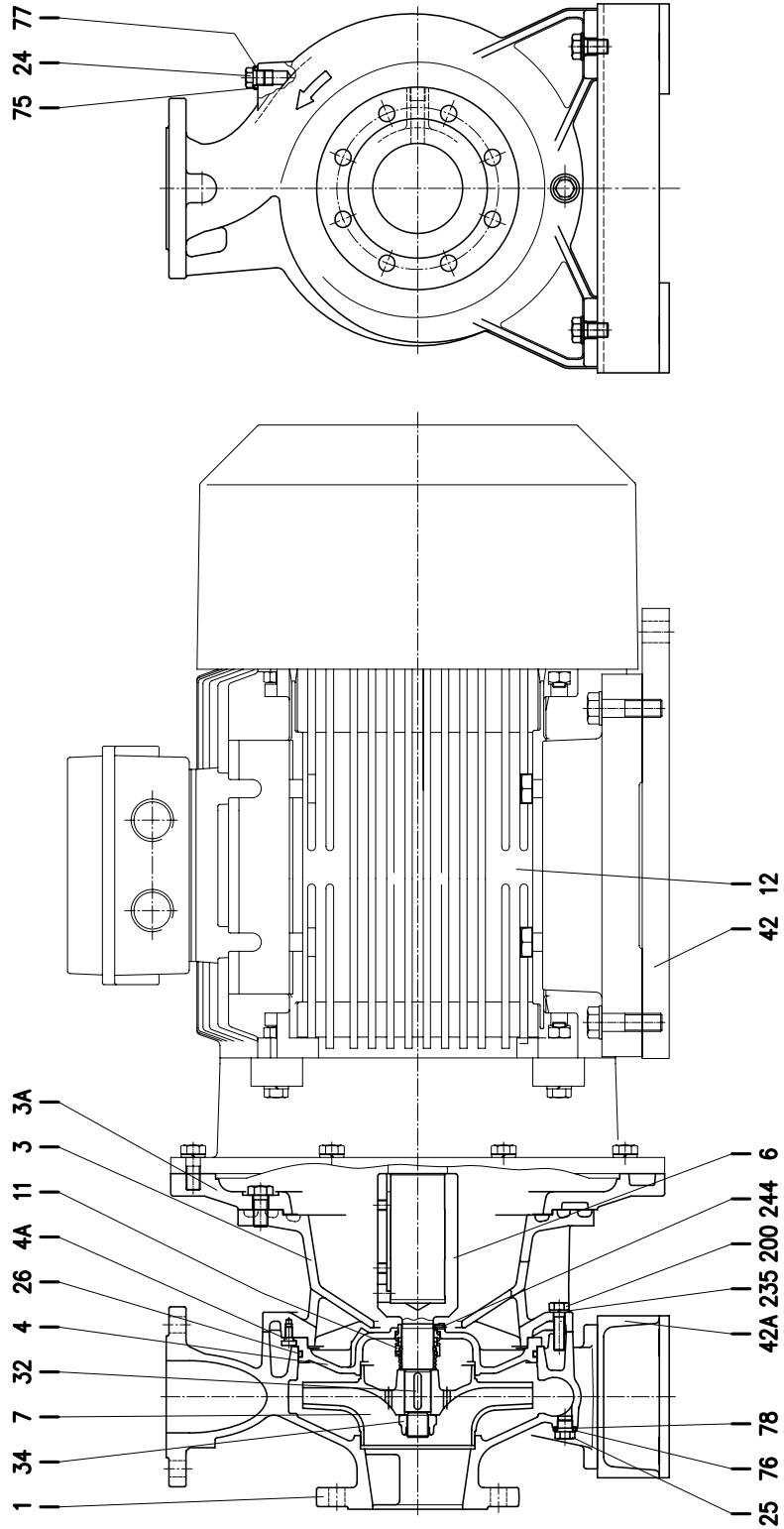
Rev. H



N°	PART NAME	MATERIAL	DIMENSIONS	STANDARD	N. FOR 1 UNIT
001	Casing	EN 1.4401 (AISI 316)			1
003	Motor bracket	Cast iron EN-GJL-200-EN 1561			1
004	Casing cover	EN 1.4404 (AISI 316L)			1
006	Coupling	EN 1.4404 (AISI 316L)	See table p. 326		1
007	Impeller	EN 1.4401 (AISI 316)			1
011	Mechanical seal	SiC/SiC/FPM Ceramic/Carbon/FPM (H option) SiC/Carbon/EPDM (E option)	See p. 321-325		1
012	Motor	-			1
024	Plug	EN 1.4404 (AISI 316L)	G3/8	EPE DRAWING	1
025	Plug	EN 1.4404 (AISI 316L)	G3/8	EPE DRAWING	1
026	"O" ring	FPM EPDM (E option)	227.96x5.34	OR 6895	1
032	Key	EN 1.4401 (AISI 316)	8x7x30	UNI 6604	1
034	Impeller nut	EN 1.4404 (AISI 316L)	M20x1.5	UNI 7474	1
042	Foot	Aluminium		EPE DRAWING	2
044	Protection	EN 1.4301 (AISI 304)		EPE DRAWING	2
075	Washer (plug)	EN 1.4404 (AISI 316L)			1
076	Washer (plug)				1
077	O-ring (plug)	FPM EPDM (E option)			1
078	O-ring (plug)				1
200	Screw	Stainless steel A2-70 class ISO 3506/1	M 10x35	UNI 5739	10
200A	Screw		M 10x30		2
235	Washer	EN 1.4301(AISI 304)	10.5	UNI 8842	12
244	Pin [1]	EN 1.4301(AISI 304)	4x15		1

Counterflange kit on request see p. 328-329

[1] Not for H and E version.



N°	PART NAME		MATERIAL	DIMENSIONS	STANDARD	N. FOR 1 UNIT	
			3LS				
001	Casing		EN 1.4401 (AISI 316)			1	
003	Motor bracket		Cast iron EN-GJL-200-EN 1561			1	
003A	Adapter ring		Cast iron EN-GJL-200-EN 1561			[1]	
004	Casing cover		EN 1.4401 (AISI 316)			1	
004A	Screw for casing cover		EN 1.4301(AISI 304)			2	
006	Coupling	65-250	d=24 mm	EN 1.4404 (AISI 316L) for 22 kW	See table p. 326	1	
			EN 1.4462 (Duplex stainless steel) for 30-37 kW	1			
		80-200	d=24 mm	EN 1.4404 (AISI 316L) for 22 kW		1	
			EN 1.4462 (Duplex stainless steel) for 30-37 kW	1			
80-250	d=29 mm	EN 1.4462 (Duplex stainless steel)	1				
007	Impeller		EN 1.4401 (AISI 316)			1	
011	Mechanical seal		Sic/Sic/FPM Ceramic/Carbon/FPM (H option) Sic/Carbon/EPDM (E option)	See p. 321-325		1	
012	Motor		-			1	
024	Plug		EN 1.4404 (AISI 316L)	G3/8	EPE DRAWING	1	
025	Plug		EN 1.4404 (AISI 316L)	G3/8	EPE DRAWING	1	
026	"O" ring		FPM EPDM (E version)	253.36x5.34	OR 6995	1	
032	Key	65-250	d=24 mm	EN 1.4401 (AISI 316)	8x7x30	UNI 6604	
			80-200				1
		80-250	d=29 mm				8x7x40
034	impeller nut	65-250	d=24 mm	EN 1.4404 (AISI 316L)	M20x1.5	UNI 7474	
			80-200				1
		85-250	d=29 mm				M24x2
042	Foot for motor		Aluminium		EPE DRAWING	[2]	
042A	Foot for pump		Aluminium/zincked steel (only for 80-250/55)			[3]	
075	Washer (plug)		EN 1.4404 (AISI 316L)			1	
076	Washer (plug)					1	
077	O-ring (plug)			FPM			1
078	O-ring (plug)			EPDM (E version)			1
200	Screw		Stainless steel A2-70 class ISO 3506/1	M 12x45	UNI 5739	10	
235	Washer		EN 1.4301(AISI 304)	13	UNI 8842	10	
244	Pin [4]		EN 1.4301(AISI 304)	4x12		1	

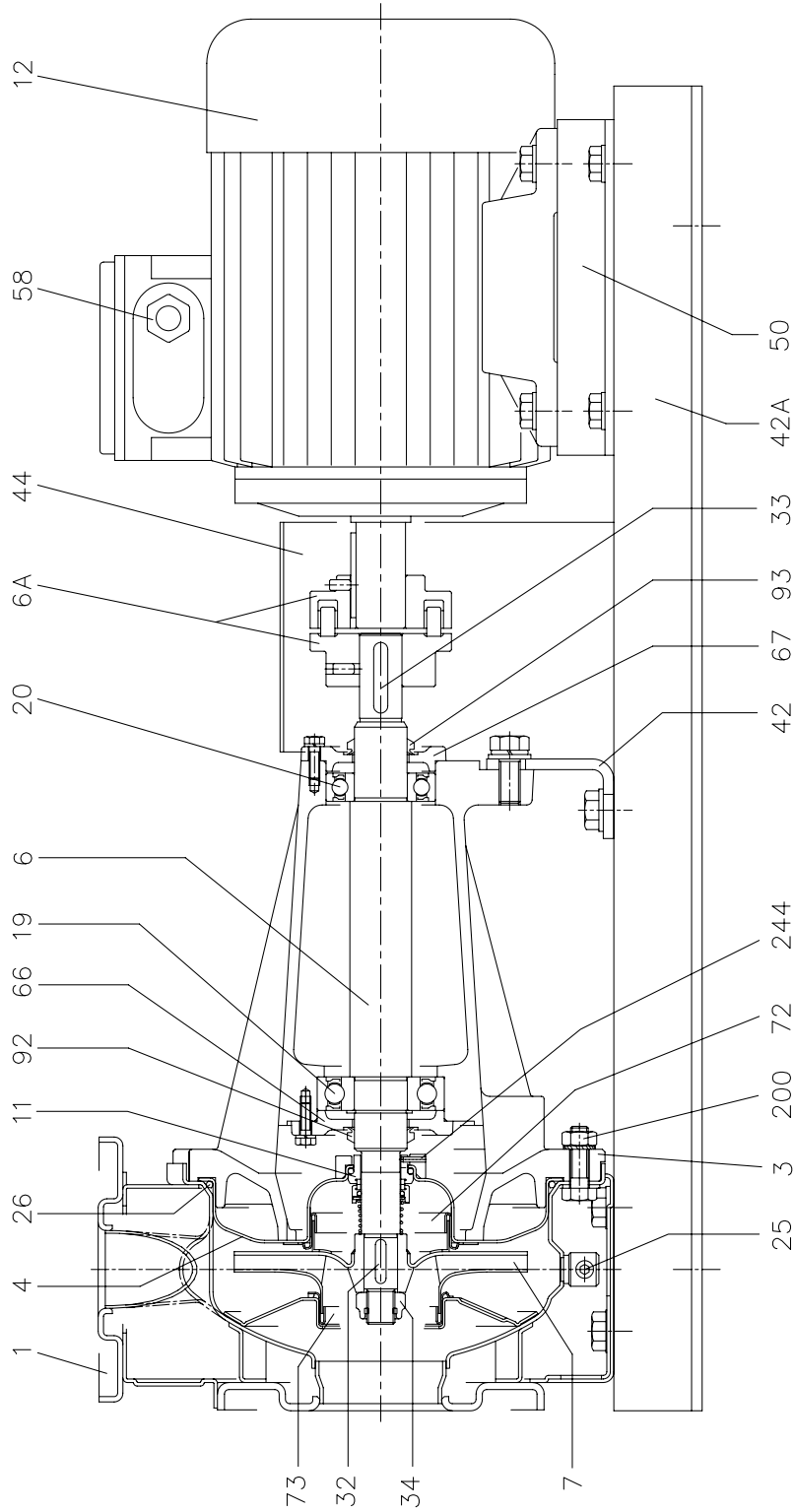
Counterflange kit on request, see table p. 328-329

[1] Only for 65-250/37 , 80-200/37 , 80-250/37 – 80-250/45 and 80-250/55

[2] N° for 1 unit=2 for 80-250/55

[3] N° for 1 unit=2 for 80-200/30 , 80-200/37 , 80-250/45  
for 1 unit=1 for 80-250/55

[4] Not for H and E version.



N°	PART NAME	MATERIAL		DIMENSIONS	STANDARD	N. FOR 1 UNIT	
		3P	3LP				
001	Casing	EN 1.4301 (AISI 304)	EN 1.4404 (AISI 316L)			1	
003	Support	Cast iron EN-GJL-200-EN 1561				1	
004	Casing cover	EN 1.4301 (AISI 304)	EN 1.4404 (AISI 316L)			1	
006	Shaft - Part in contact with liquid	EN 1.4301 (AISI 304)	EN 1.4404 (AISI 316L)			1	
006A	Flexible coupling	Cast iron EN-GJL-250-EN 1561		See table pag. 327		1	
007	Impeller	EN 1.4301 (AISI 304)	EN 1.4404 (AISI 316L)			1	
011	Mechanical seal	Carbon/Ceramic/NBR Carbon/Ceramic/FPM (H option) SiC/SiC/FPM (E option)	SiC/SiC/FPM	See p. 321-325		1	
012	Motor	-				1	
019	Bearing	-		See table p. 320		1	
020	Bearing	-		See table p. 320		1	
025	Draining plug	EN 1.4401 (AISI 316) / PTFE		R 1/8" L=8	DIN 906	1	
026	"O" ring	32-125, 40-125	NBR FPM (version H and HS)	FPM	158.11x5.34	OR 6625	1
		32-160, 40-160, 50-125, 65-125			183.52x5.34	OR 6720	
		32-200, 40-200, 50-160, 50-200, 65-160, 65-200			227.96x5.34	OR 6895	
032	Key	Up to 11 kW	EN 1.4401 (AISI 316)		6x6x25	UNI 6604	1
		15 kW and above			8x7x30		
033	Key	C 40		8x7x40	UNI 6604	1	
034	Impeller nut	Up to 11kW	EN 1.4301 (AISI 304)	EN 1.4404 (AISI 316L)	M16x1.5	UNI 7474	1
		50-200/15			M18x1.5		
		15 kW and above			M20x1.5		
042	Pump support	Fe 37 Zinc-coated			EBARA DRAWING	1	
42A	Base	Fe 37 Zinc-coated				1	
044	Protection	Fe 37 Zinc-coated				1	
050	Foot	Aluminium / Zinc-coated steel				1	
058	Fasting nut	-				1	
066	Impeller side bearing cover	Cast iron EN-GJL-200-EN 1561				1	
067	Motor side bearing cover	Cast iron EN-GJL-200-EN 1561				1	
072	Casing ring [1]	EN 1.4301 (AISI 304)	EN 1.4404 (AISI 316L)			1	
073	Casing ring (not for 65 version)	EN 1.4301 (AISI 304)	EN 1.4404 (AISI 316L)			1	
092	"V" ring	-		VS - 0030		1	
093	"V" ring	-		VS - 0030		1	
200	Screw	32-125, 40-125	Stainless steel A2 70 class ISO 3506/1		M 8x30	UNI 5739	8
		40-160, 40-200, 50-125, 50-160, 50-200, 65-125, 65-160, 65-200			M 10x35	UNI 5739	[2]
244	Pin [3]	/	EN 1.4301 (AISI 304)	4x15		1	

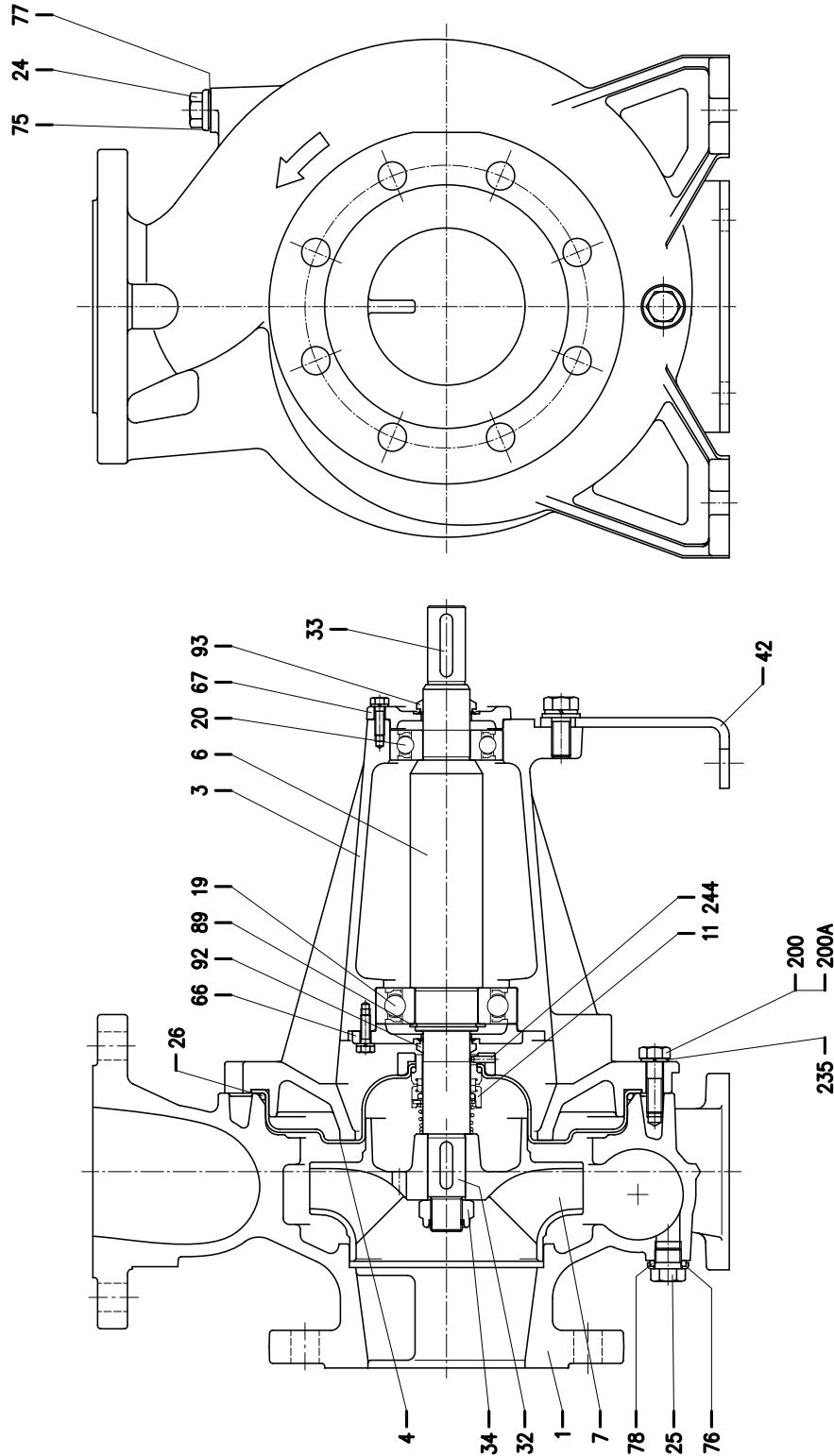
Counterflange kit on request see p. 328-329

[1] For version: 32-200/3, 32-200/4, 32-200/5.5, 40-200/5.5, 40-200/5.5, 40-200/7.5, 40-200/11, 50-160/5.5, 50-160/7.5, 50-200/9.2, 50-200/11, 50-200/15

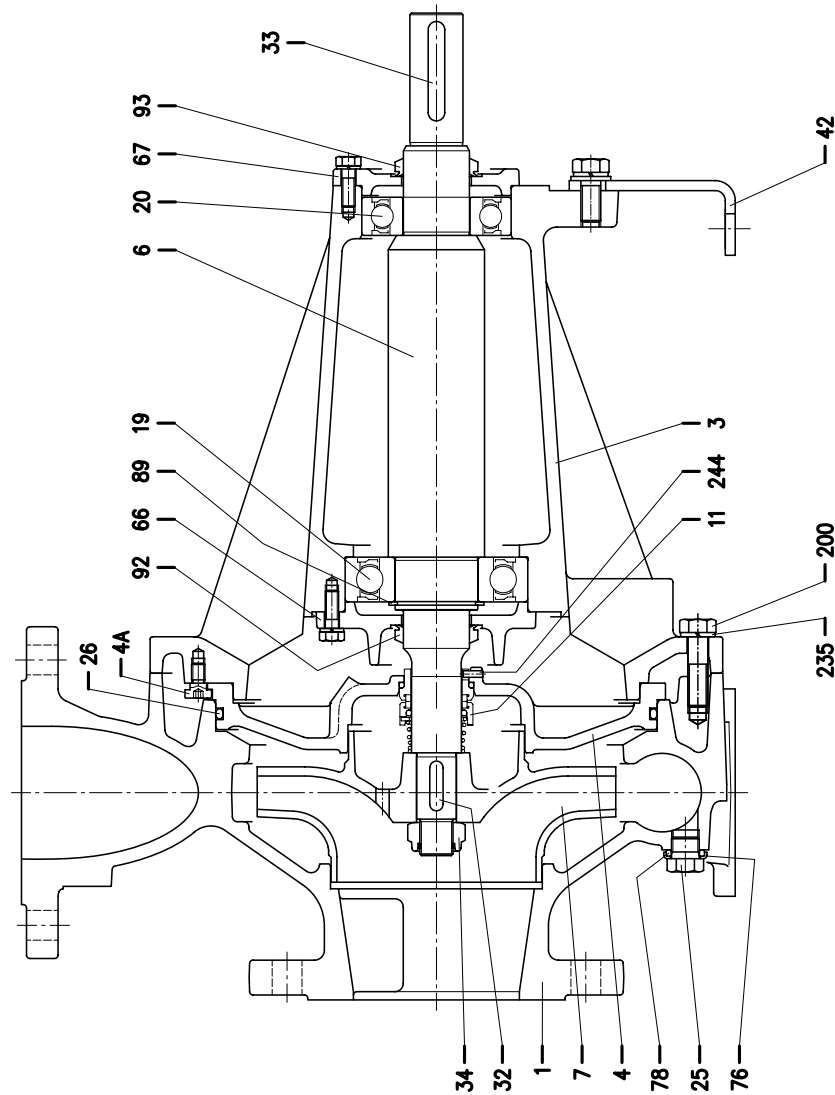
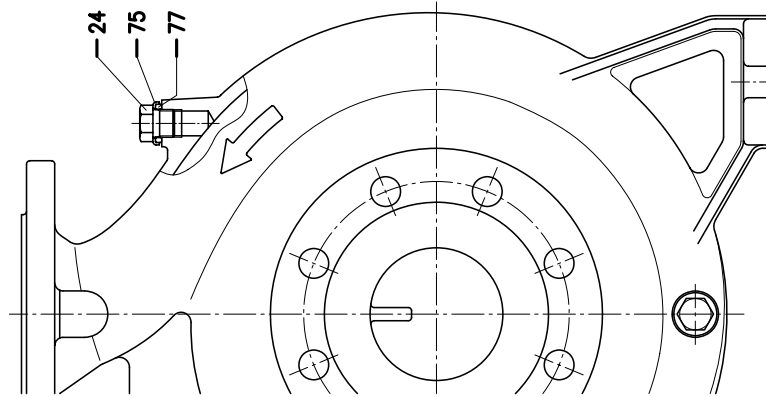
[2] N° for 1 unit=10 for 32-160, 40-160, 50-125, 65-125

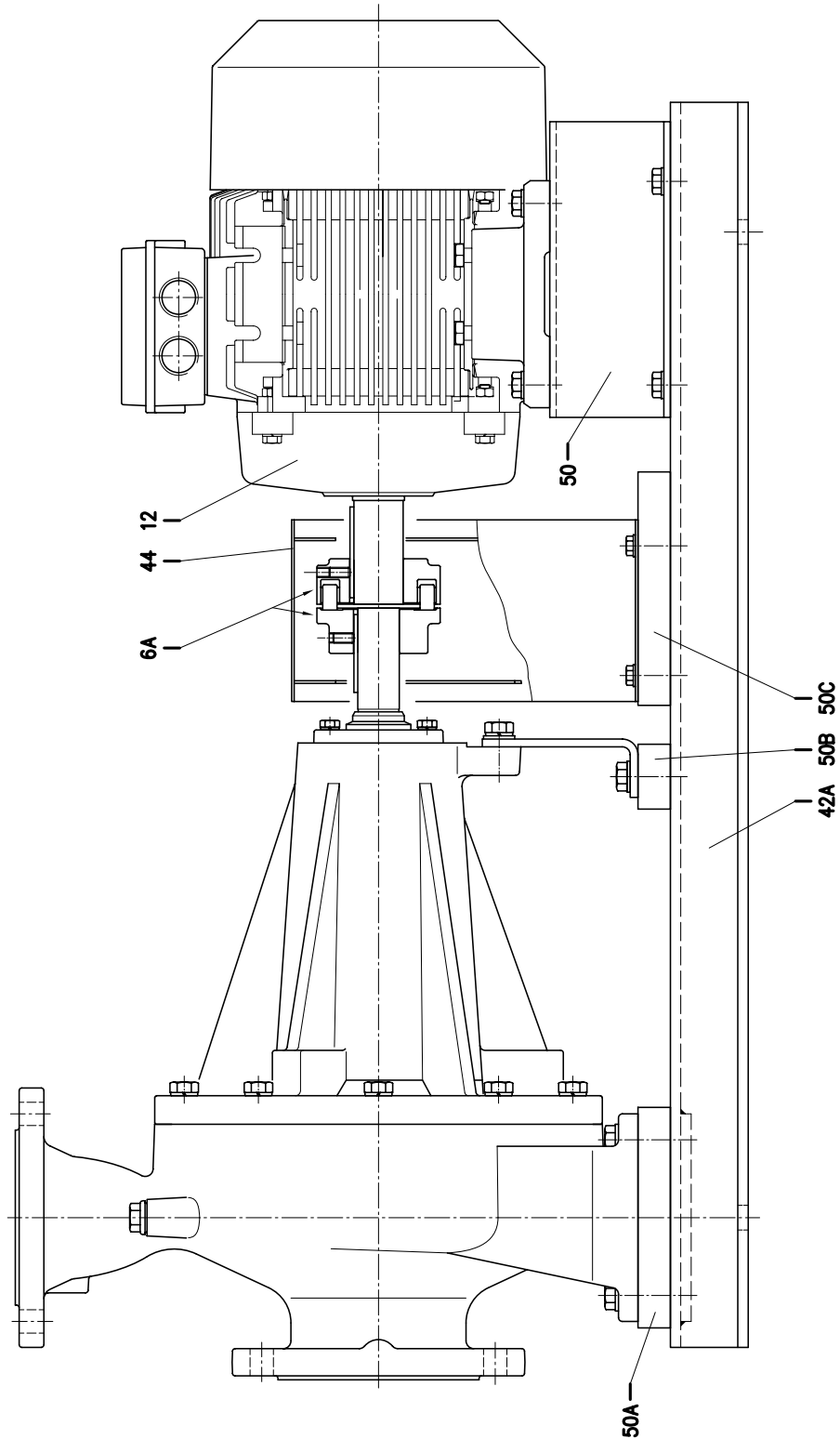
N° for 1 unit=12 for 32-200, 40-200, 50-160, 50-200, 65-160, 65-200

[3] Only for 65-160/15 and 65-200









N°	PART NAME	MATERIAL	DIMENSIONS	STANDARD	N. FOR 1 UNIT
001	Casing	EN 1.4401 (AISI316)			1
003	Support	Cast iron EN-GJL-200-EN 1561			1
004	Casing cover	EN 1.4404 (AISI316L)			1
006	Shaft	EN 1.4404 (AISI316L)-Part in contact with liquid			1
006A	Flexible coupling	Cast iron EN-GJL-250-EN 1561	See table p. 327		1
007	Impeller	EN 1.4401 (AISI316)			1
011	Mechanical seal	SiC/SiC/FPM Ceramic/Carbon/FPM (H option) SiC/Carbon/EPDM (E option)	See p. 321-325		1
012	Motor	-			1
019	Bearing	-	See table p. 320		1
020	Bearing	-	See table p. 320		1
024	Plug	EN 1.4404 (AISI316L)	G3/8	EPE DRAWING	1
025	Plug	EN 1.4404 (AISI316L)	G3/8	EPE DRAWING	1
026	"O" ring	FPM EPDM (E option)	227.96x5.34	OR 6895	1
032	Key	EN 1.4401 (AISI 316)	8x7x30	UNI 6604	1
033	Key	C 40	8x7x40		1
034	Impeller nut	EN 1.4404 (AISI 316L)	M20x1.5	UNI 7474	1
042	Pump support	Zincked steel		EPE DRAWING	1
042A	Base	Zincked steel		EPE DRAWING	1
044	Protection	Zincked steel		EPE DRAWING	1
050	Foot	Aluminium		EPE DRAWING	2
050A	Spacer for pump	/			/
050B	Spacer for pump	/			/
050C	spacer for protection	/			/
066	Impeller side bearing cover	Cast iron EN-GJL-200-EN 1561			1
067	Motor side bearing cover	Cast iron EN-GJL-200-EN 1561			1
075	Washer (plug)	EN 1.4404 (AISI 316L)			1
076	Washer (plug)				1
077	O-ring (plug)	FPM			1
078	O-ring (plug)	EPDM (E option)			1
089	Snap ring	Carbon tool steels TC 80	Ø 40	UNI 7435	1
092	"V" ring	-	VS-0030		1
093	"V" ring				1
200	Screw	Stainless steel A2 70 class ISO 3506/1	M 10x35	UNI 5739	10
200A	Screw		M 10x30		2
235	Washer	EN 1.4301(AISI 304)	10.5	UNI 8842	12
244	Pin [1]	EN 1.4301(AISI 304)	4x15	UNI 6873	1

Counterflange kit on request, see table p. 328-329

[1] Not for H and E option.

*For drawing see p.314-316*

N°	PART NAME	MATERIAL	DIMENSIONS	STANDARD	N. FOR 1 UNIT		
001	Casing	EN 1.4401 (AISI316)			1		
003	Support	Cast iron EN-GJL-200-EN 1561			1		
004	Casing cover	EN 1.4401 (AISI316)			1		
004A	Screw for casing cover	EN 1.4301 (AISI 304)			2		
006	Shaft	EN 1.4462 (Duplex stainless steel)-Part in contact with liquid			1		
006A	Flexible coupling	Cast iron EN-GJL-250-EN 1561	See table p. 327		1		
007	Impeller	EN 1.4401 (AISI316)			1		
011	Mechanical seal	SIC/SIC/FPM Ceramic/Carbon/FPM (H option) Sic/Carbon/EPDM (E option)	See p. 321-325		1		
012	Motor	-			1		
019	Bearing	-	See table p. 320		1		
020	Bearing	-	See table p. 320		1		
024	Plug	EN 1.4404 (AISI316L)	G3/8		1		
025	Plug	EN 1.4404 (AISI316L)	G3/8		1		
026	"O" ring	FPM EPDM (E version)	253.36x5.34	OR 6995	1		
032	Key	65-250 80-200 80-250	d=24 mm	EN 1.4401 (AISI 316)	8x7x30	UNI 6604	1
			d=29 mm		8x7x40		1
					10x8x60		1
033	Key		C 40		UNI 6604	1	
034	Impeller nut	65-250 80-200 80-250	d=24 mm	EN 1.4404 (AISI 316L)	M20x1.5	UNI 7474	1
			d=29 mm		M24x2		1
							1
042	Pump support	Zincked steel				1	
042A	Base	Zincked steel				1	
044	Protection	Zincked steel				1	
050	Foot (only for 65-250/22kW)	Aluminium				2	
050A	Spacer	Aluminium				[1]	
050B	Spacer	Aluminium				[2]	
050C	Spacer for protection	Aluminium				[3]	
066	Impeller side bearing cover	Cast iron EN-GJL-200-EN 1561				1	
067	Motor side bearing cover	Cast iron EN-GJL-200-EN 1561				1	
075	Washer (plug)	EN 1.4404 (AISI 316L)				1	
076	Washer (plug)					1	
077	O-ring (plug)	FPM				1	
078	O-ring (plug)	EPDM (E version)				1	
089	Snap ring	Carbon tool steels TC 80	Ø 50	UNI 7435		1	
092	"V" ring	-	VS-0040			1	
093	"V" ring	-				1	
200	Screw	Stainless steel A2 70 class ISO 3506/1	M 12x45	UNI 5739		10	
235	Washer	EN 1.4301 (AISI 304)	13	UNI 8842		10	
244	Pin [3]	EN 1.4301 (AISI 304)	4x12	UNI 6873		1	

Counterflange kit on request, see table p. 328-329

- [1] N° for 1 unit=0 for 65-250, 80-200/22 and 80-250/55  
N° for 1 unit=2 for 80-200/30, 80-200/37 and 80-250/45
- [2] N° for 1 unit=0 for 65-250, 80-200/22 and 80-250/55  
N° for 1 unit=2 for 80-200/30, 80-200/37 and 80-250/45
- [3] Not for H and E option.

*For drawing see p.308-309*

**CONSTRUCTIONS**

50 Hz

Rev. H

**BALL BEARING**

Type pumps		Ball bearing	
Single Phase 50 Hz	Three Phase 50 Hz	Pump side	Fan side
3(.)M 32-125/1.1 M	3(.)M 32-125/1.1	6205-SRSH C3	6205-SRSH C3
3(.)M 32-160/1.5 M	3(.)M 32-160/1.5		
3(.)M 32-160/2.2 M	3(.)M 32-160/2.2		
	3(.)M 32-200/3	6206-2RS1 C3	6206-2RS1 C3
	3(.)M 32-200/4		
	3(.)M 32-200/5.5	6306-2RS1 C3	
	3(.)M 32-200/7.5		
3(.)M 40-125/1.5 M	3(.)M 40-125/1.5	6205-SRSH C3	6205-SRSH C3
3(.)M 40-125/2.2 M	3(.)M 40-125/2.2		
	3(.)M 40-160/3		
	3(.)M 40-160/4		
	3(.)M 40-200/5.5	6308-2RS1 C3	
	3(.)M 40-200/7.5		
	3(.)M 40-200/11		
3(.)M 50-125/2.2 M	3(.)M 50-125/2.2	6205-SRSH C3	6205-SRSH C3
	3(.)M 50-125/3		
	3(.)M 50-125/4		
	3(.)M 50-160/5.5	6306-2RS1 C3	
	3(.)M 50-160/7.5		
	3(.)M 50-200/9.2		6308-2RS1 C3
	3(.)M 50-200/11		
	3(.)M 50-200/15	6309-2RS1 C3	
	3(.)M 50-200/15		
	3(.)M 65-125/4	6206-2RS1 C3	
	3(.)M 65-125/5.5		
	3(.)M 65-125/7.5		6306-2RS1 C3
	3(.)M 65-160/7.5		
	3(.)M 65-160/9.2	6308-2RS1 C3	
	3(.)M 65-160/11		
	3(.)M 65-160/15	6309-2RS1 C3	
	3(.)M 65-200/15		
	3(.)M 65-200/18.5		
	3(.)M 65-200/22		
3LM 80-160/11	3LM 80-160/11	6308-2RS1 C3	6208-2RS1 C3
3LM 80-160/13	3LM 80-160/13		
3LM 80-160/15	3LM 80-160/15	6309-2RS1 C3	6309-2RS1 C3
3LM 80-160/18.5	3LM 80-160/18.5		

Type pumps Three Phase 50 Hz	Ball bearing	
	Pump side	Fan side
3(.)S 32-125/1.1	6204-2Z C3	6204-2Z C3
3(.)S 32-160/1.5	6205-2Z C3	6205-2Z C3
3(.)S 32-160/2.2		
3(.)S 32-200/3	6206-2Z C3	6206-2Z C3
3(.)S 32-200/4	6306-2Z C3	6306-2Z C3
3(.)S 32-200/5.5	6208-2Z C3	6208-2Z C3
3(.)S 32-200/7.5		
3(.)S 40-125/1.5	6205-2Z C3	6205-2Z C3
3(.)S 40-125/2.2		
3(.)S 40-160/3	6206-2Z C3	6206-2Z C3
3(.)S 40-160/4	6306-2Z C3	6306-2Z C3
3(.)S 40-200/5.5	6208-2Z C3	6208-2Z C3
3(.)S 40-200/7.5		
3(.)S 40-200/11	6209-2Z C3	6209-2Z C3
3(.)S 50-125/2.2	6205-2Z C3	6205-2Z C3
3(.)S 50-125/3	6206-2Z C3	6206-2Z C3
3(.)S 50-125/4	6306-2Z C3	6306-2Z C3
3(.)S 50-160/5.5	6208-2Z C3	6208-2Z C3
3(.)S 50-160/7.5		
3(.)S 50-200/9.2	6209-2Z C3	6209-2Z C3
3(.)S 50-200/11		
3(.)S 50-200/15	6306-2Z C3	6306-2Z C3
3(.)S 50-200/15		
3(.)S 65-125/4	6208-2Z C3	6208-2Z C3
3(.)S 65-125/5.5		
3(.)S 65-125/7.5		
3(.)S 65-160/7.5	6209-2Z C3	6209-2Z C3
3(.)S 65-160/9.2		
3(.)S 65-160/11	6310-2Z C3	6310-2Z C3
3(.)S 65-160/15		
3(.)S 65-200/15		
3(.)S 65-200/18.5		
3(.)S 65-200/22	6310-2Z C3	6310-2Z C3
3LS 65-250/30	6312-2Z	6312-2Z
3LS 65-250/37		
3LS 80-160/11	6209-2Z C3	6209-2Z C3
3LS 80-160/15R		
3LS 80-160/15		
3LS 80-160/18.5		
3LS 80-200/22	6310-2Z C3	6310-2Z C3
3LS 80-200/30	6312-2Z	6312-2Z
3LS 80-200/37		
3LS 80-250/37		
3LS 80-250/45	6313 2Z	6313 2Z
3LS 80-250/55	6314	6314

1)

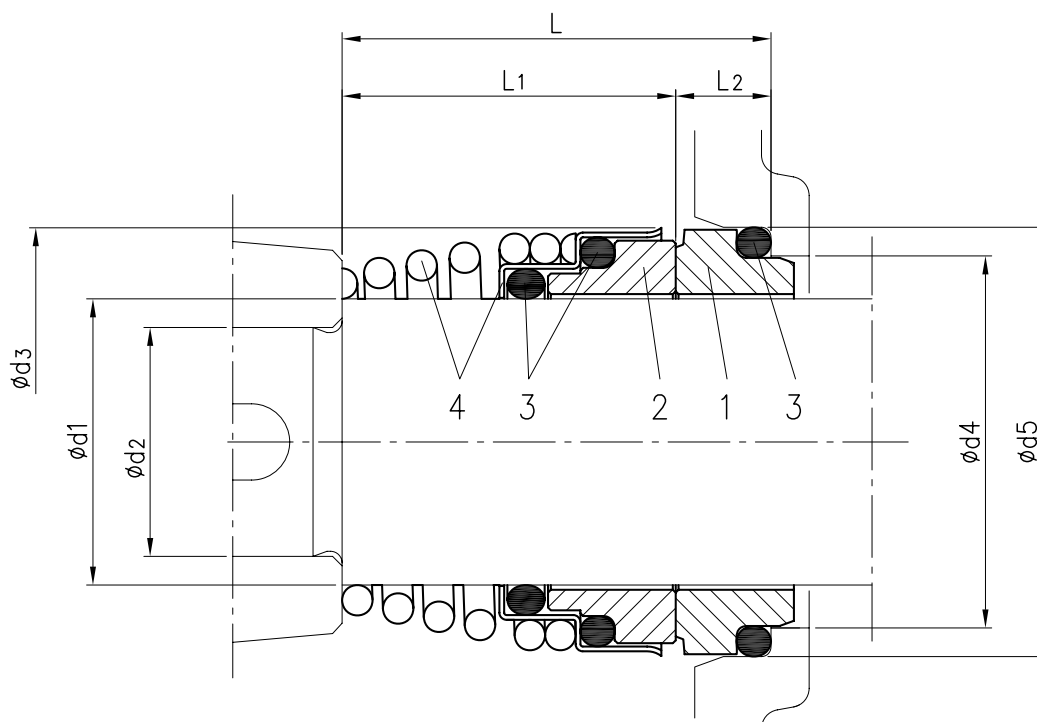
1) Motor available with lubricator for regular re-greasing of bearing.

**BALL BEARING**

Type pumps Three Phase 50 Hz	Ball bearing			
	Pump		Motor	
	Pump side	Motor side	Pump side	Fan side
3(.)P 32-125/1.1	6306-2RS1 C3	6206-2RS1 C3	6204-2Z C3	6204-2Z C3
3(.)P 32-160/1.5			6205-2Z C3	6205-2Z C3
3(.)P 32-160/2.2				
3(.)P 32-200/3	6308-2RS1 C3	6306-2RS1 C3	6206-2Z C3	6206-2Z C3
3(.)P 32-200/4			6306-2Z C3	6306-2Z C3
3(.)P 32-200/5.5			6208-2Z C3	6208-2Z C3
3(.)P 32-200/7.5				
3(.)P 40-125/1.5	6306-2RS1 C3	6206-2RS1 C3	6205-2Z C3	6205-2Z C3
3(.)P 40-125/2.2			6206-2Z C3	6206-2Z C3
3(.)P 40-160/3			6306-2Z C3	6306-2Z C3
3(.)P 40-160/4	6308-2RS1 C3	6306-2RS1 C3	6208-2Z C3	6208-2Z C3
3(.)P 40-200/5.5			6209-2Z C3	6209-2Z C3
3(.)P 40-200/7.5			6205-2Z C3	6205-2Z C3
3(.)P 40-200/11			6206-2Z C3	6206-2Z C3
3(.)P 50-125/2.2	6306-2RS1 C3	6206-2RS1 C3	6306-2Z C3	6306-2Z C3
3(.)P 50-125/3			6208-2Z C3	6208-2Z C3
3(.)P 50-125/4				
3(.)P 50-160/5.5	6308-2RS1 C3	6306-2RS1 C3	6209-2Z C3	6209-2Z C3
3(.)P 50-160/7.5			6205-2Z C3	6205-2Z C3
3(.)P 50-200/9.2			6206-2Z C3	6206-2Z C3
3(.)P 50-200/11			6306-2Z C3	6306-2Z C3
3(.)P 50-200/15	6306-2RS1 C3	6206-2RS1 C3	6208-2Z C3	6208-2Z C3
3(.)P 65-125/4			6209-2Z C3	6209-2Z C3
3(.)P 65-125/5.5			6306-2Z C3	6306-2Z C3
3(.)P 65-125/7.5	6308-2RS1 C3	6306-2RS1 C3	6208-2Z C3	6208-2Z C3
3(.)P 65-160/7.5				
3(.)P 65-160/9.2			6209-2Z C3	6209-2Z C3
3(.)P 65-160/11			6310-2Z C3	6310-2Z C3
3(.)P 65-160/15	6310-2RS1 C3	6308-2RS1 C3	6312-2Z	6312-2Z
3(.)P 65-200/15				
3(.)P 65-200/18.5				
3(.)P 65-200/22	6308-2RS1 C3	6306-2RS1 C3	6209-2Z C3	6209-2Z C3
3LP 65-250/30			6310-2Z C3	6310-2Z C3
3LP 65-250/37			6312-2Z	6312-2Z
3LP 80-160/11			6313-2Z	6313-2Z
3LP 80-160/15R	6310-2RS1 C3	6308-2RS1 C3	6314	6314
3LP 80-160/15				
3LP 80-160/18.5				
3LP 80-200/22	6310-2RS1 C3	6308-2RS1 C3	6312-2Z	6312-2Z
3LP 80-200/30				
3LP 80-200/37				
3LP 80-250/37				
3LP 80-250/45				
3LP 80-250/55				

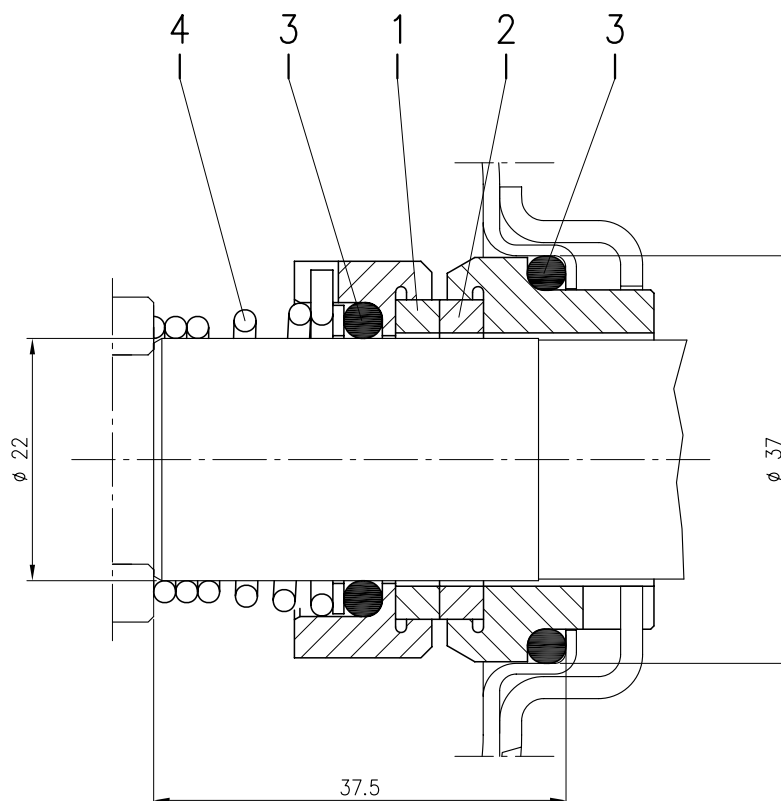
1) Motor available with lubricator for regular re-greasing of bearing.

MECHANICAL SEAL STANDARD AND H VERSION



Version	Manufacturer Reference			Pump type	Dimensions							Material				
	Manuf.	Description	Material Description		d1	d2	d3	d4	d5	L	L1	L2	1 Stationary seal ring	2 Rotary seal ring	3 rubber	4 Frame + spring
Standard			X6X62V6	32-125/160/200	22	19	38	31	37	37.5	27.5	10	Carbon	Ceramic	NBR	EN 1.4401 (AISI 316)
				40-125/160/200												
				50-125/160/200												
				65-125												
				65-160/7.5												
				65-160/9.2												
65-160/11																
H	Roten	UNITEN 3K	XYXY2VY	65-160/15	30	24	46	39	45	42.5	32.5	10	Carbon	Ceramic	FPM	EN 1.4401 (AISI 316)
				65-200												
				32-125/160/200												
				40-125/160/200												
				50-125/160/200												
				65-125												
65-160/7.5																
65-160/9.2																
65-160/11																
				65-160/15												
				65-200												
				65-250												
				80-160/200												
				80-250	35	29	50	44	50	42.5	32.5	10				

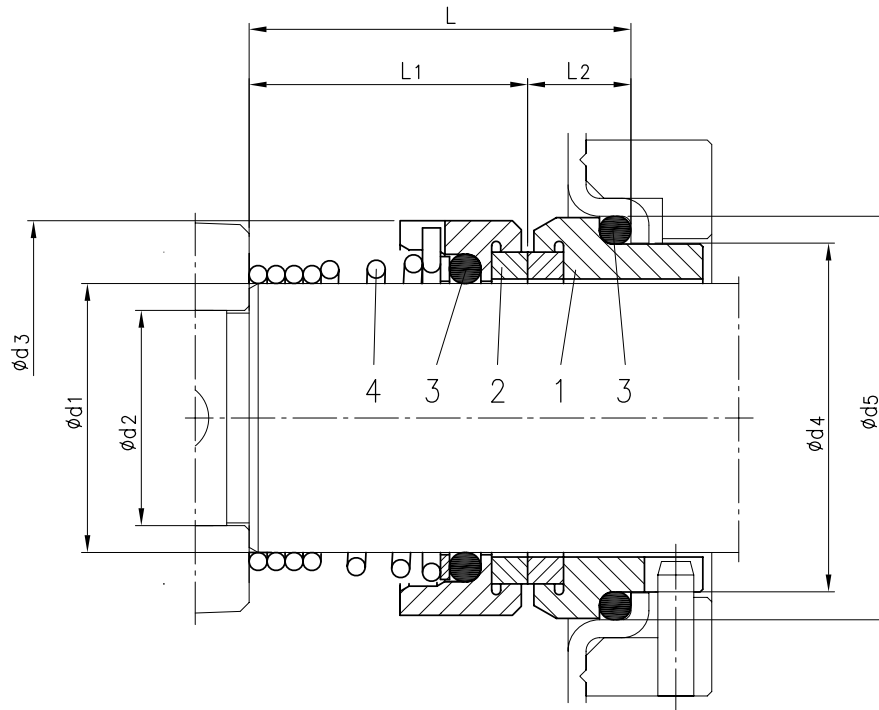
**MECHANICAL SEAL L VERSION Ø22**



Manufacturer Reference			Pump type	Material			
Manuf.	Description	Material Description		1 Stationary seal ring	2 Rotary seal ring	3 rubber	4 Frame + spring
Burgmann	M377GN85/22-00-R	Q1Q1VGG	32-125/160/200 40-125/160/200 50-125/160/200 65-125 65-160/7.5 65-160/9.2 65-160/11	SiC	SiC	FPM	EN 1.4571 (AISI 316Ti)

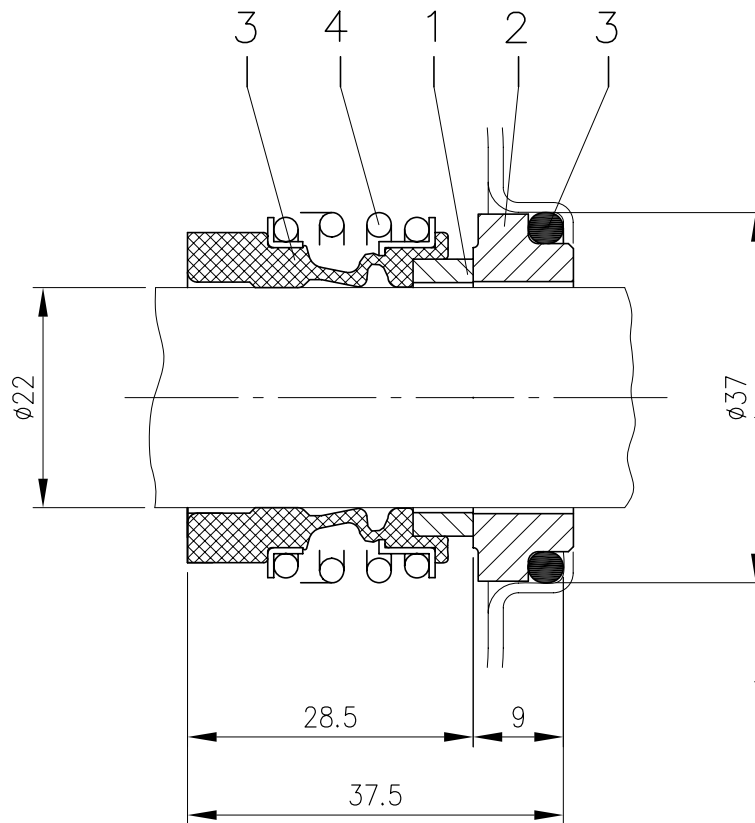


**MECHANICAL SEAL L VERSION**



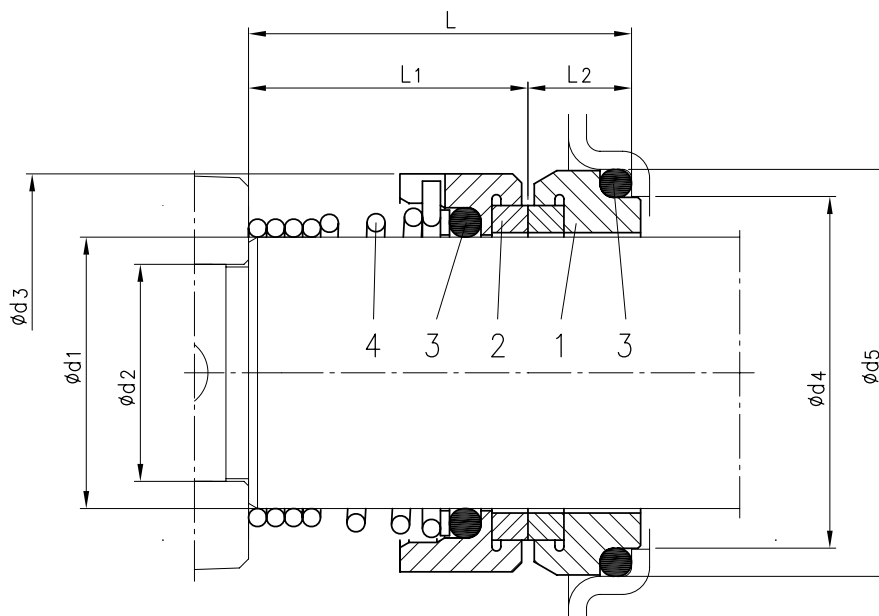
Manufacturer Reference			Pump type	Dimensions							Material				
Manuf.	Description	Material Description		d1	d2	d3	d4	d5	L	L1	L2	1 Stationary seal ring	2 Rotary seal ring	3 rubber	4 Frame + spring
Burgmann	M377GN85-R	Q1Q1VGG	65-160/15	30	24	44	39	45	42.5	31	11.5	SiC	SiC	FPM	EN 1.4571 (AISI 316Ti)
			65-200												
			65-250												
			80-160/200												
			80-250	35	29	49	44	50	42.5	31	11.5				

**MECHANICAL SEAL HS VERSION Ø22**



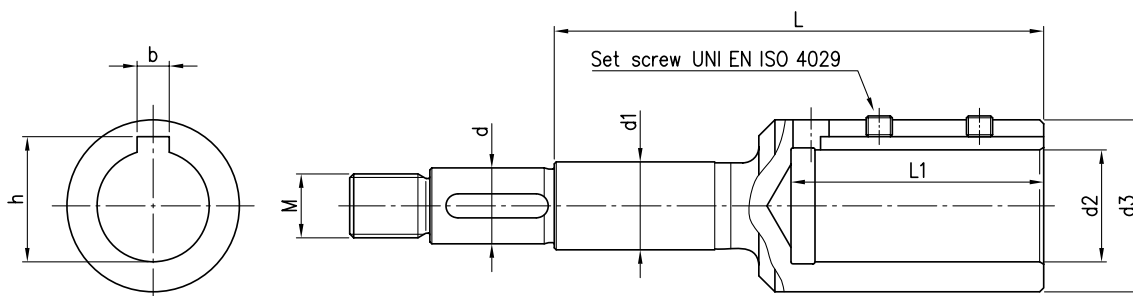
Manufacturer Reference			Pump type	Material			
Manuf.	Description	Material Description		1 Stationary seal ring	2 Rotary seal ring	3 rubber	4 Frame + spring
Burgmann	MG1S6/22-G3	Q1Q1VGG	32-125/160/200 40-125/160/200 50-125/160/200 65-125 65-160/7.5 65-160/9.2 65-160/11	SiC	SiC	FPM	EN 1.4571 (AISI 316Ti)

**MECHANICAL SEAL HS AND E VERSION**



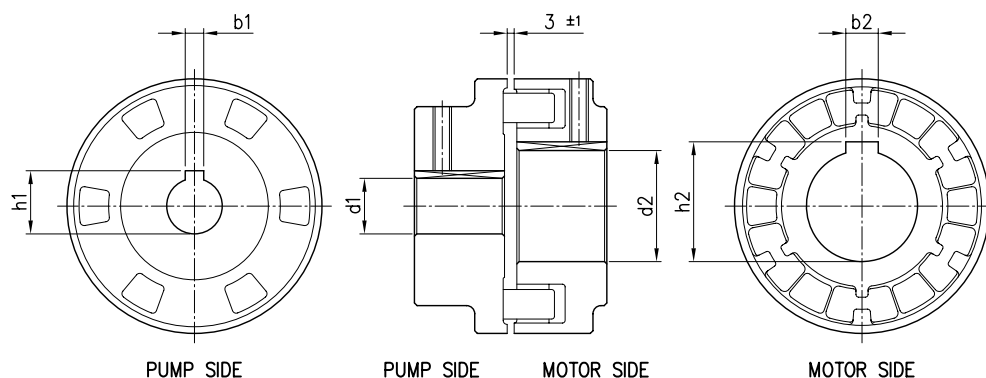
Version	Manufacturer Reference			Pump type	Dimensions							Material				
	Manuf.	Description	Material Description		d1	d2	d3	d4	d5	L	L1	L2	1 Stationary seal ring	2 Rotary seal ring	3 rubber	4 Frame + spring
HS	Burgmann	M377GNX/30-00-R	Q1Q1VGG	65-160/15	30	24	44	39	45	42.5	31	11.5	SiC	SiC	FPM	EN 1.4571 (AISI 316Ti)
				65-200												
E		M377GNX/35-00-R	Q1BEGG	65-250	30	24	44	39	45	42.5	31	11.5	Carbon	SiC	EPDM	EN 1.4571 (AISI 316Ti)
				80-160/200												
				80-250	35	29	49	44	50	42.5	31	11.5				

COUPLING



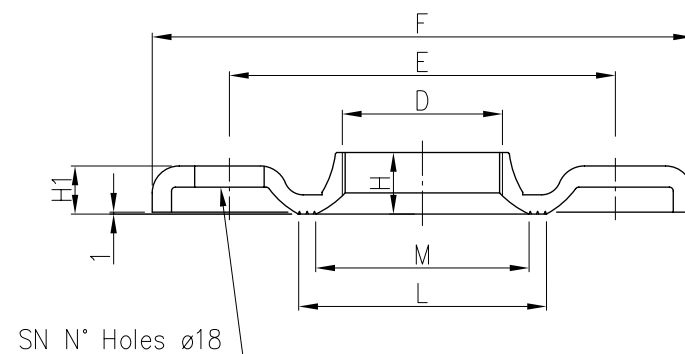
Type pumps	kW	HP	Motor Size	Dimensions mm										
				d	d1	d2	d3	M	L	L1	b	h	Set screw	
32-125/1.1	1.1	1.5	80	19	22	19	33	M16x1.5	98	43	6	21.8	M6x6	
32-160/1.5	1.5	2	90	19	22	24	39	M16x1.5	110	53	8	27.3	M8x8	
32-160/2.2	2.2	3	90	19	22	24	39	M16x1.5	110	53	8	27.3	M8x8	
32-200/3.0	3	4	100	19	22	28	43	M16x1.5	122	63	8	31.3	M8x8	
32-200/4.0	4	5.5	112	19	22	28	43	M16x1.5	122	63	8	31.3	M8x8	
32-200/5.5	5.5	7.5	132	19	22	38	58	M16x1.5	145	84	10	41.3	M8x8	
32-200/7.5	7.5	10	132	19	22	38	58	M16x1.5	145	84	10	41.3	M8x8	
40-125/1.5	1.5	2	90	19	22	24	39	M16x1.5	110	53	8	27.3	M8x8	
40-125/2.2	2.2	3	90	19	22	24	39	M16x1.5	110	53	8	27.3	M8x8	
40-160/3.0	3	4	100	19	22	28	43	M16x1.5	122	63	8	31.3	M8x8	
40-160/4.0	4	5.5	112	19	22	28	43	M16x1.5	122	63	8	31.3	M8x8	
40-200/5.5	5.5	7.5	132	19	22	38	58	M16x1.5	145	84	10	41.3	M8x8	
40-200/7.5	7.5	10	132	19	22	38	58	M16x1.5	145	84	10	41.3	M8x8	
40-200/11	11	15	160	19	22	42	63	M16x1.5	178	114	12	45.3	M8x8	
50-125/2.2	2.2	3	90	19	22	24	39	M16x1.5	110	53	8	27.3	M8x8	
50-125/3.0	3	4	100	19	22	28	43	M16x1.5	122	63	8	31.3	M8x8	
50-125/4.0	4	5.5	112	19	22	28	43	M16x1.5	122	63	8	31.3	M8x8	
50-160/5.5	5.5	7.5	132	19	22	38	58	M16x1.5	145	84	10	41.3	M8x8	
50-160/7.5	7.5	10	132	19	22	38	58	M16x1.5	145	84	10	41.3	M8x8	
50-200/9.2	9.2	12.5	132	19	22	38	58	M16x1.5	145	84	10	41.3	M8x8	
50-200/11	11	15	160	19	22	42	63	M16x1.5	178	114	12	45.3	M8x8	
50-200/15	15	20	160	22	22	42	63	M18x1.5	209	114	12	45.3	M8x8	
65-125/4.0	4	5.5	112	19	22	28	43	M16x1.5	122	63	8	31.3	M8x8	
65-125/5.5	5.5	7.5	132	19	22	38	58	M16x1.5	145	84	10	41.3	M8x8	
65-125/7.5	7.5	10	132	19	22	38	58	M16x1.5	145	84	10	41.3	M8x8	
65-160/7.5	7.5	10	132	19	22	38	58	M16x1.5	145	84	10	41.3	M8x8	
65-160/9.2	9.2	12.5	132	19	22	38	58	M16x1.5	145	84	10	41.3	M8x8	
65-160/11	11	15	160	19	22	42	63	M16x1.5	178	114	12	45.3	M8x8	
65-160/15	15	20	160	24	30	42	63	M20x1.5	184	114	12	45.3	M8x8	
65-200/15	15	20	160	24	30	42	63	M20x1.5	184	114	12	45.3	M8x8	
65-200/18.5	18.5	25	160	24	30	42	63	M20x1.5	184	114	12	45.3	M8x8	
65-200/22	22	30	180	24	30	48	72	M20x1.5	184	114	14	51.8	M10x10	
65-250/30	30	40	200	24	30	55	85	M20x1.5	184	114	16	59.3	M12x12	
65-250/37	37	50	200	24	30	55	85	M20x1.5	184	114	16	59.3	M12x12	
80-160/11	11	15	160	24	30	42	63	M20x1.5	184	114	12	45.3	M8x8	
80-160/15R	15	20	160	24	30	42	63	M20x1.5	184	114	12	45.3	M8x8	
80-160/15	15	20	160	24	30	42	63	M20x1.5	184	114	12	45.3	M8x8	
80-160/18.5	18.5	25	160	24	30	42	63	M20x1.5	184	114	12	45.3	M8x8	
80-200/22	22	30	180	24	30	48	72	M20x1.5	184	114	14	51.8	M10x10	
80-200/30	30	40	200	24	30	55	85	M20x1.5	184	114	16	59.3	M12x12	
80-200/37	37	50	200	24	30	55	85	M20x1.5	184	114	16	59.3	M12x12	
80-250/37	37	50	200	29	35	55	85	M24x2	206	114	16	59.3	M12x12	
80-250/45	45	60	225	29	35	55	85	M24x2	206	114	16	59.3	M12x12	
80-250/55	55	75	250	29	35	60	89	M24x2	218	144	18	64.4	M12x12	

**FLEXIBLE COUPLING**



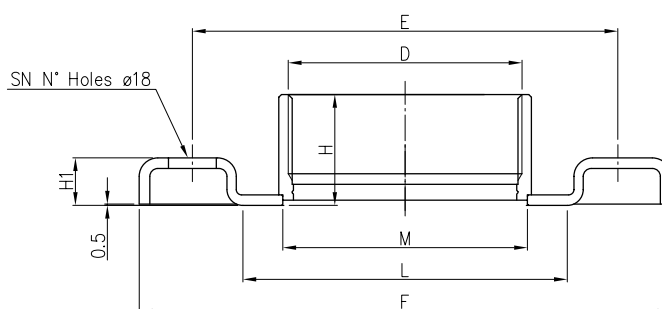
Type pumps	kW	HP	Motor Size	Dimensions mm					
				d1	b1	h1	d2	b2	h2
32-125/1.1	1.1	1.5	80	24	8	27.3	19	6	21.8
32-160/1.5	1.5	2	90	24	8	27.3	24	8	27.3
32-160/2.2	2.2	3	90	24	8	27.3	24	8	27.3
32-200/3.0	3	4	100	24	8	27.3	28	8	31.3
32-200/4.0	4	5.5	112	24	8	27.3	28	8	31.3
32-200/5.5	5.5	7.5	132	24	8	27.3	38	10	41.3
32-200/7.5	7.5	10	132	24	8	27.3	38	10	41.3
40-125/1.5	1.5	2	90	24	8	27.3	24	8	27.3
40-125/2.2	2.2	3	90	24	8	27.3	24	8	27.3
40-160/3.0	3	4	100	24	8	27.3	28	8	31.3
40-160/4.0	4	5.5	112	24	8	27.3	28	8	31.3
40-200/5.5	5.5	7.5	132	24	8	27.3	38	10	41.3
40-200/7.5	7.5	10	132	24	8	27.3	38	10	41.3
40-200/11	11	15	160	24	8	27.3	42	12	45.3
50-125/2.2	2.2	3	90	24	8	27.3	24	8	27.3
50-125/3.0	3	4	100	24	8	27.3	28	8	31.3
50-125/4.0	4	5.5	112	24	8	27.3	28	8	31.3
50-160/5.5	5.5	7.5	132	24	8	27.3	38	10	41.3
50-160/7.5	7.5	10	132	24	8	27.3	38	10	41.3
50-200/9.2	9.2	12.5	132	24	8	27.3	38	10	41.3
50-200/11	11	15	160	24	8	27.3	42	12	45.3
50-200/15	15	20	160	24	8	27.3	42	12	45.3
65-125/4.0	4	5.5	112	24	8	27.3	28	8	31.3
65-125/5.5	5.5	7.5	132	24	8	27.3	38	10	41.3
65-125/7.5	7.5	10	132	24	8	27.3	38	10	41.3
65-160/7.5	7.5	10	132	24	8	27.3	38	10	41.3
65-160/9.2	9.2	12.5	132	24	8	27.3	38	10	41.3
65-160/11	11	15	160	24	8	27.3	42	12	45.3
65-160/15	15	20	160	24	8	27.3	42	12	45.3
65-200/15	15	20	160	24	8	27.3	42	12	45.3
65-200/18.5	18.5	25	160	24	8	27.3	42	12	45.3
65-200/22	22	30	180	24	8	27.3	48	14	51.8
65-250/30	30	40	200	32	10	35.3	55	16	59.3
65-250/37	37	50	200	32	10	35.3	55	16	59.3
80-160/11	11	15	160	24	8	27.3	42	12	45.3
80-160/15R	15	20	160	24	8	27.3	42	12	45.3
80-160/15	15	20	160	24	8	27.3	42	12	45.3
80-160/18.5	18.5	25	160	24	8	27.3	42	12	45.3
80-200/22	22	30	180	32	10	35.3	48	14	51.8
80-200/30	30	40	200	32	10	35.3	55	16	59.3
80-200/37	37	50	200	32	10	35.3	55	16	59.3
80-250/37	37	50	200	32	10	35.3	55	16	59.3
80-250/45	45	60	225	32	10	35.3	55	16	59.3
80-250/55	55	75	250	32	10	35.3	60	18	64.4

**COUNTERFLANGE ZINCKED STEEL**



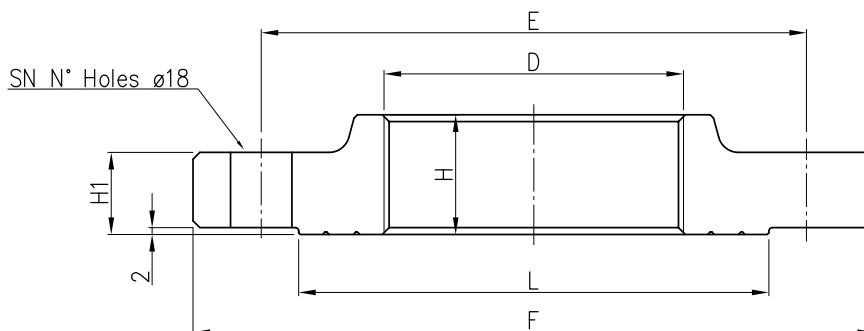
DN	D	Counterflange							Screw	
		E	F	H	H1	L	M	SN	DIMENSIONS	MATERIAL
32	G 1 1/4	100	100	15	11.5	67	50	4	M16x55	Zn. Steel 8.8 strenght class ISO 898-1
40	G 1 1/2	110	110	17.5	11.5	72	58	4		
50	G2	125	125	19	15	89	70	4		
65	G 2 1/2	145	185	23	14	104	88	4		
80	G3	160	200	24	16	117.5	100	8	M16x60	
100	G4	180	220	29	16	144	125	8		

**COUNTERFLANGE EN 1.4404 (AISI 316L)**



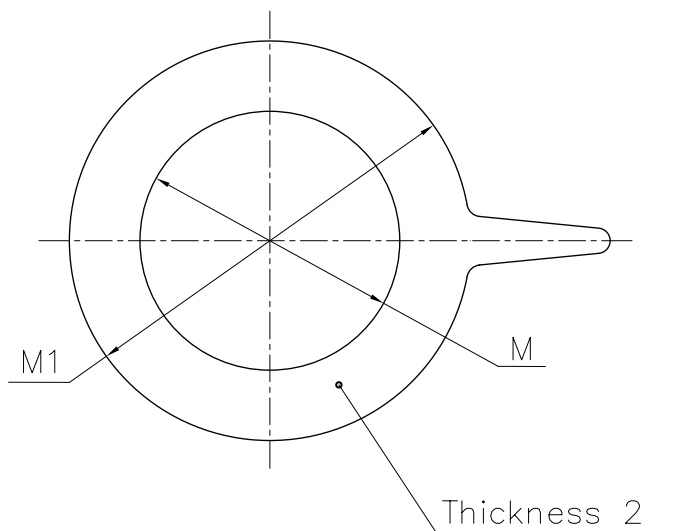
DN	D	Counterflange							Screw	
		E	F	H	H1	L	M	SN	DIMENSIONS	MATERIAL
32	G 1 1/4	100	140	29.5	14	66	44	4	M16x55	A2-70 class ISO 3506-1
40	G 1 1/2	110	150	29.5	14	71	50.5			
50	G 2	125	165	34	16	83	63			
65	G 2 1/2	145	185	40	16	103	80			
80	G3	160	200	42	18	122	92	8	M16x60	

**COUNTERFLANGE EN 1.4404 (AISI 316L) DN100**



DN	Counterflange							Screw	
	D	E	F	H	H1	L	SN	DIMENSIONS	MATERIAL
100	G4	180	220	35	20	150	8	M16x70	A2-70 class ISO 3506-1

**GASKET**



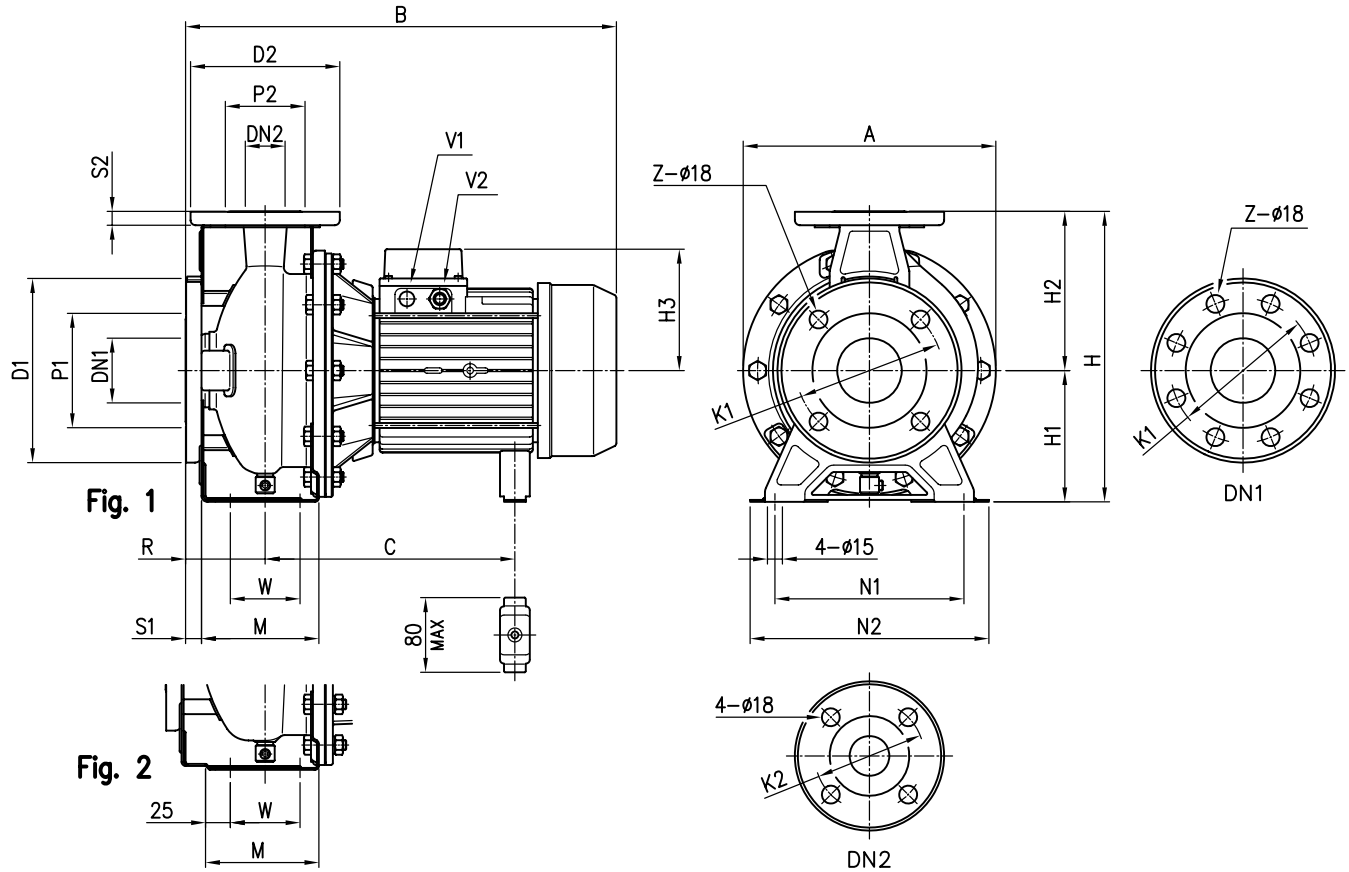
DN	M	M1
32	38	82
40	50	93
50	60	107
65	80	125
80	90	140
100	115	160

Material : EPDM for standard version  
FPM for L version

DIMENSIONS 3(.)M 32, 40, 50, 65

50 Hz

Rev. H



Model	Dimensions (mm)																												Weight [kgf]	
	DN1	P1	K1	D1	S1	Z	DN2	P2	K2	D2	S2	Fig.	H	H1	H2	H3	R	W	M	N1	N2	A	B	C	V1	V2				
32-125/1.1 (M)	50	95	125	165	16	4	-	32	75	100	140	14	1	252	112	140	124	141	80	70	114	140	190	213	408	-	PG 13.5	M20x1.5	19.6	
32-160/1.5 (M)	50	95	125	165	16	4	-	32	75	100	140	14	1	292	132	160	124	141	80	70	118	190	240	254	408	219-230	-	PG 13.5	M20x1.5	22.5
32-160/2.2 (M)	50	95	125	165	16	4	-	32	75	100	140	14	1	292	132	160	124	141	80	70	118	190	240	254	408	219-230	-	PG 13.5	M20x1.5	24.6
32-200/3.0	50	95	125	165	16	4	-	32	75	100	140	14	1	340	160	180	124	-	80	70	119	190	240	296	433	244-255	-	PG 13.5	-	32.8
32-200/4.0	50	95	125	165	16	4	-	32	75	100	140	14	1	340	160	180	141	-	80	70	119	190	240	296	454	253	-	PG 16	-	39.5
32-200/5.5	50	95	125	165	16	4	-	32	75	100	140	14	1	340	160	180	150	-	80	70	119	190	240	296	475	275	PG 13.5	PG 16	-	48.5
32-200/7.5	50	95	125	165	16	4	-	32	75	100	140	14	1	340	160	180	150	-	80	70	119	190	240	296	517	275	PG 13.5	PG 16	-	57
40-125/1.5 (M)	65	115	145	185	16	4	-	40	80	110	150	14	1	252	112	140	124	141	80	70	114	160	210	213	408	219-230	-	PG 13.5	M20x1.5	20.1
40-125/2.2 (M)	65	115	145	185	16	4	-	40	80	110	150	14	1	252	112	140	124	141	80	70	114	160	210	213	408	219-230	-	PG 13.5	M20x1.5	22.7
40-160/3.0	65	115	145	185	16	4	-	40	80	110	150	14	1	292	132	160	124	-	80	70	118	190	240	254	433	244-255	-	PG 13.5	-	28
40-160/4.0	65	115	145	185	16	4	-	40	80	110	150	14	1	292	132	160	141	-	80	70	118	190	240	254	454	253	-	PG 16	-	35.1
40-200/5.5	65	115	145	185	16	4	-	40	80	110	150	14	2	340	160	180	150	-	100	70	115	212	265	296	495	275	PG 13.5	PG 16	-	48.8
40-200/7.5	65	115	145	185	16	4	-	40	80	110	150	14	2	340	160	180	150	-	100	70	115	212	265	296	537	275	PG 13.5	PG 16	-	56.2
40-200/11	65	115	145	185	16	4	-	40	80	110	150	14	2	340	160	180	178	-	100	70	115	212	265	296	594	359	PG 13.5	PG 21	-	67.5
50-125/2.2 (M)	65	115	145	185	16	4	-	50	95	125	165	16	2	292	132	160	124	141	100	70	114	190	240	254	428	219-230	-	PG 13.5	M20x1.5	28.1
50-125/3.0	65	115	145	185	16	4	-	50	95	125	165	16	2	292	132	160	124	-	100	70	114	190	240	254	453	244-255	-	PG 13.5	-	28.6
50-125/4.0	65	115	145	185	16	4	-	50	95	125	165	16	2	292	132	160	141	-	100	70	114	190	240	254	474	253	-	PG 16	-	35.2
50-160/5.5	65	115	145	185	16	4	-	50	95	125	165	16	2	340	160	180	150	-	100	70	115	212	265	296	495	275	PG 13.5	PG 16	-	49.1
50-160/7.5	65	115	145	185	16	4	-	50	95	125	165	16	2	340	160	180	150	-	100	70	115	212	265	296	537	275	PG 13.5	PG 16	-	55.5
50-200/9.2	65	115	145	185	16	4	-	50	95	125	165	16	2	360	160	200	178	-	100	70	115	212	265	296	594	359	PG 13.5	PG 21	-	61.7
50-200/11	65	115	145	185	16	4	-	50	95	125	165	16	2	360	160	200	178	-	100	70	115	212	265	296	594	359	PG 13.5	PG 21	-	67.5
65-125/4	80	134	160	200	18	8	4	65	115	145	185	16	2	340	160	180	141	-	100	95	140	212	280	254	474	253	-	PG 16	-	40
65-125/5.5	80	134	160	200	18	8	4	65	115	145	185	16	2	340	160	180	150	-	100	95	140	212	280	254	495	275	PG 13.5	PG 16	-	52
65-125/7.5	80	134	160	200	18	8	4	65	115	145	185	16	2	340	160	180	150	-	100	95	140	212	280	254	537	275	PG 13.5	PG 16	-	58.5
65-160/7.5	80	134	160	200	18	8	4	65	115	145	185	16	2	360	160	200	150	-	100	95	140	212	280	296	537	275	PG 13.5	PG 16	-	62
65-160/9.2	80	134	160	200	18	8	4	65	115	145	185	16	2	360	160	200	178	-	100	95	140	212	280	296	594	359	PG 13.5	PG 21	-	67
65-160/11	80	134	160	200	18	8	4	65	115	145	185	16	2	360	160	200	178	-	100	95	140	212	280	296	594	359	PG 13.5	PG 21	-	75.6

[1] Standard [2] On request [3] Only for three phase [4] Only for single phase



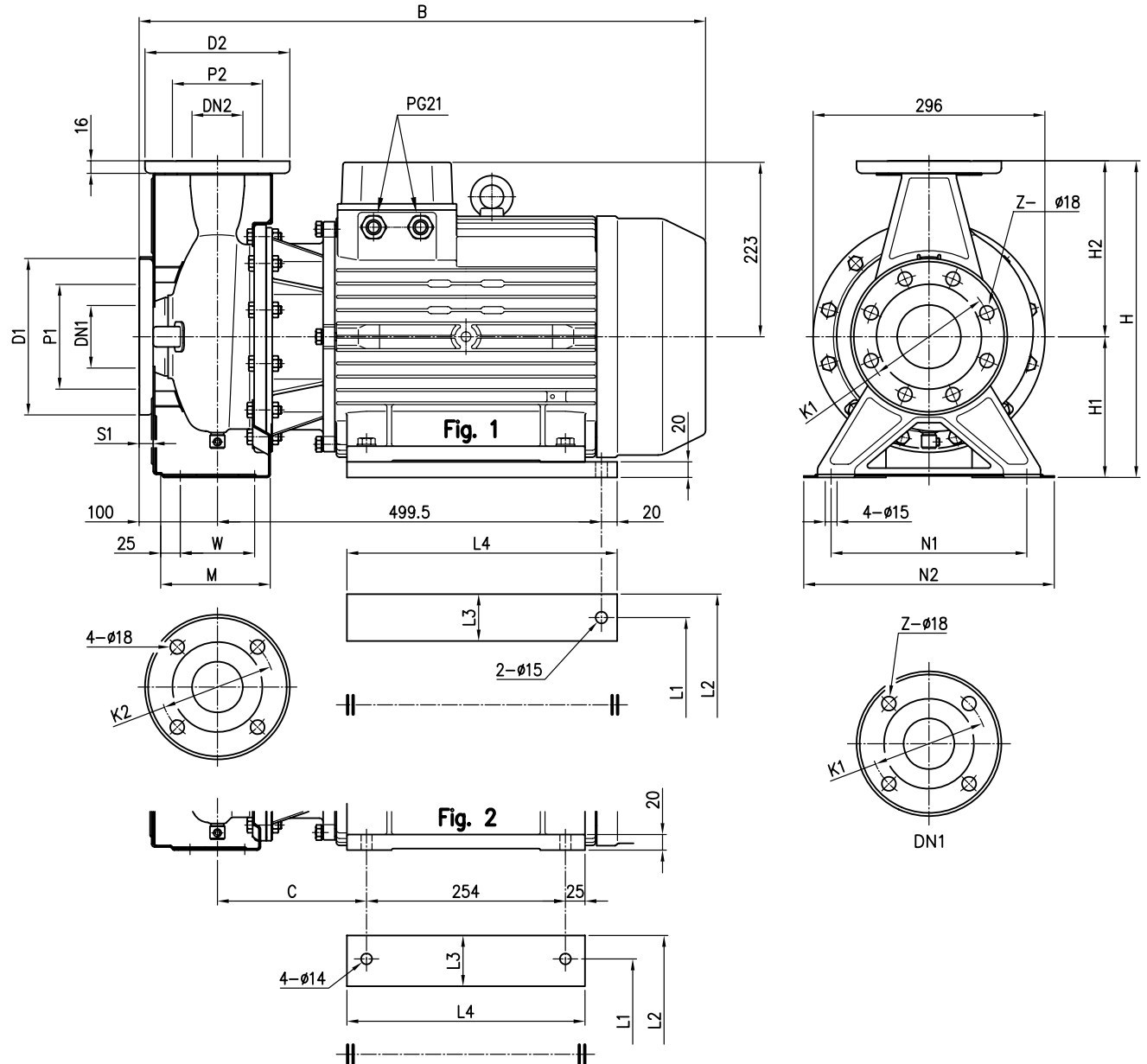
# CENTRIFUGAL PUMPS

# 3 series

## DIMENSIONS 3(.)M 50, 65

50 Hz

Rev. H



Model	Dimensions [mm]																							Weight [kgf]		
	∅ DN1	∅ P1	∅ K1	∅ D1	S1	Z [1]	Z [2]	∅ DN2	∅ P2	∅ K2	∅ D2	Fig.	H	H1	H2	W	M	N1	N2	B	C	L1	L2		L3	L4
50-200/15	65	115	145	185	16	4	-	50	95	125	165	2	360	160	200	70	115	212	265	723	190.5	254	318	65	304	96
65-160/15	80	134	160	200	18	8	4	65	115	145	185	2	360	160	200	95	140	212	280	732	199.5	254	318	65	304	93
65-200/15	80	134	160	200	18	8	4	65	115	145	185	1	405	180	225	95	140	250	320	732	-	254	314	60	345	114
65-200/18.5	80	134	160	200	18	8	4	65	115	145	185	1	405	180	225	95	140	250	320	732	-	254	314	60	345	127
65-200/22	80	134	160	200	18	8	4	65	115	145	185	1	405	180	225	95	140	250	320	732	-	254	314	60	345	136

[1] Standard

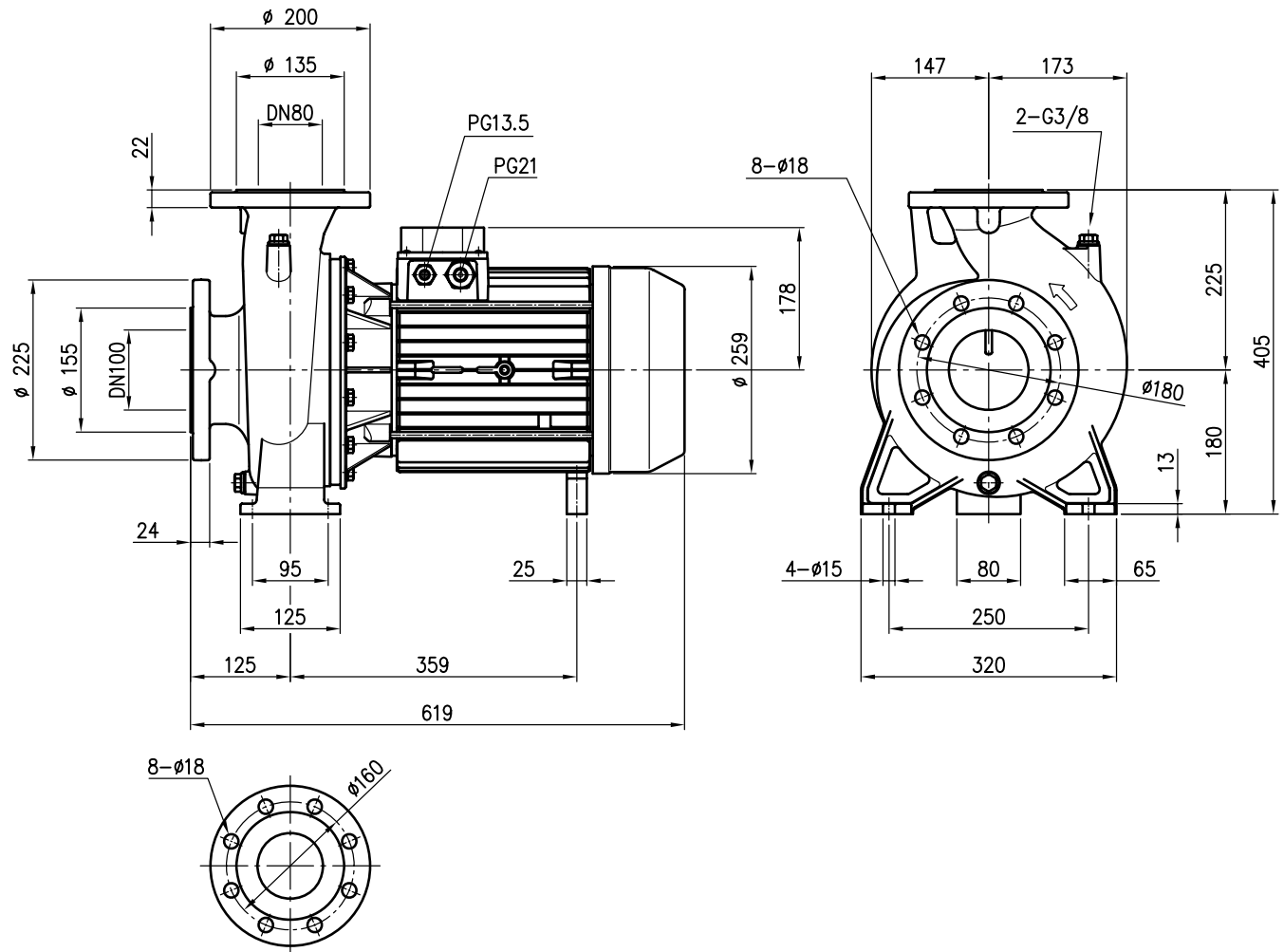
[2] On request

DIMENSIONS **3LM 80-160**

50 Hz

Rev. H

**80-160/11 – 80-160/13**



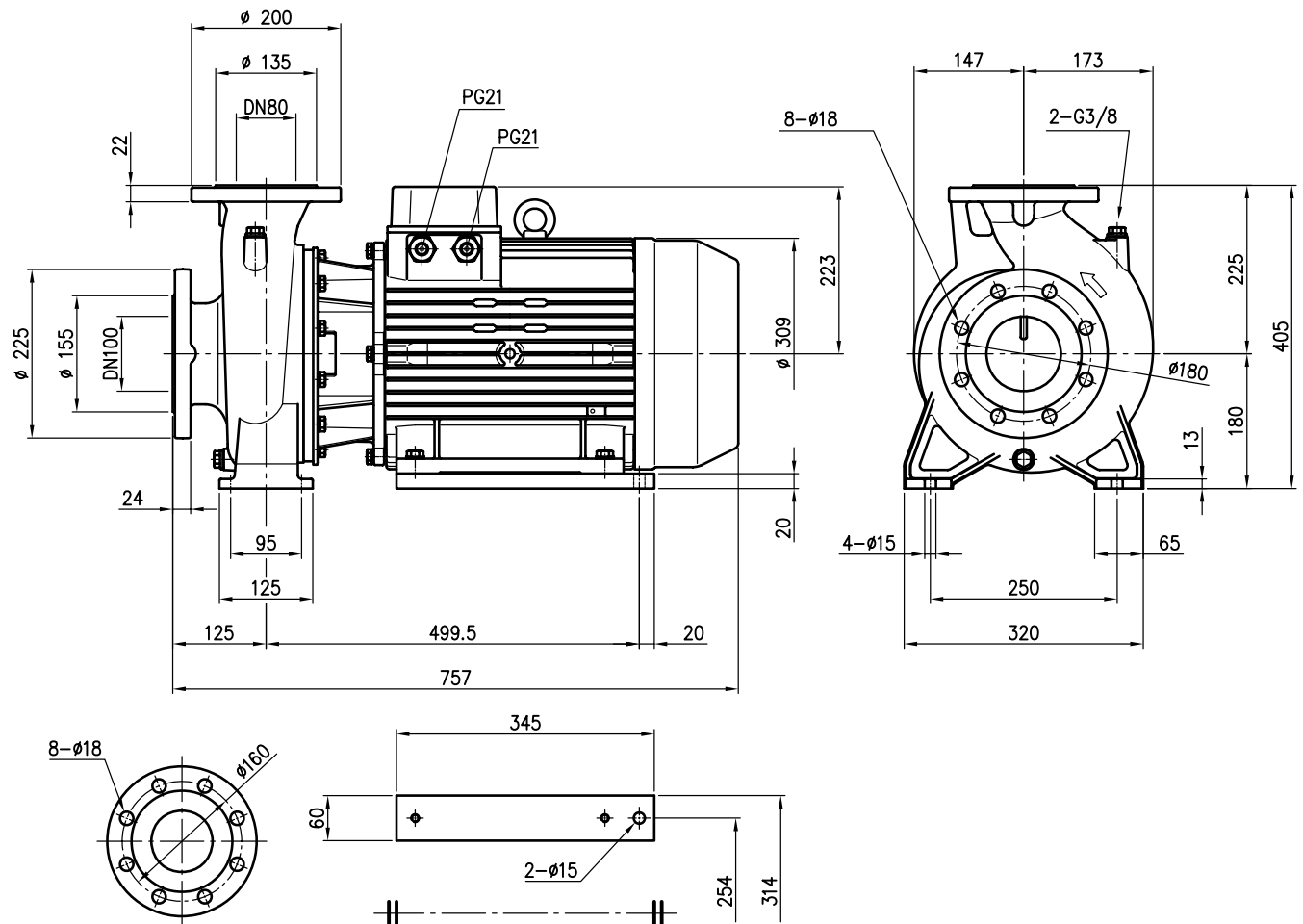
Pumps weight  
 80-160/11 : 94 kgf  
 80-160/13 : 97 kgf

DIMENSIONS **3LM 80-160**

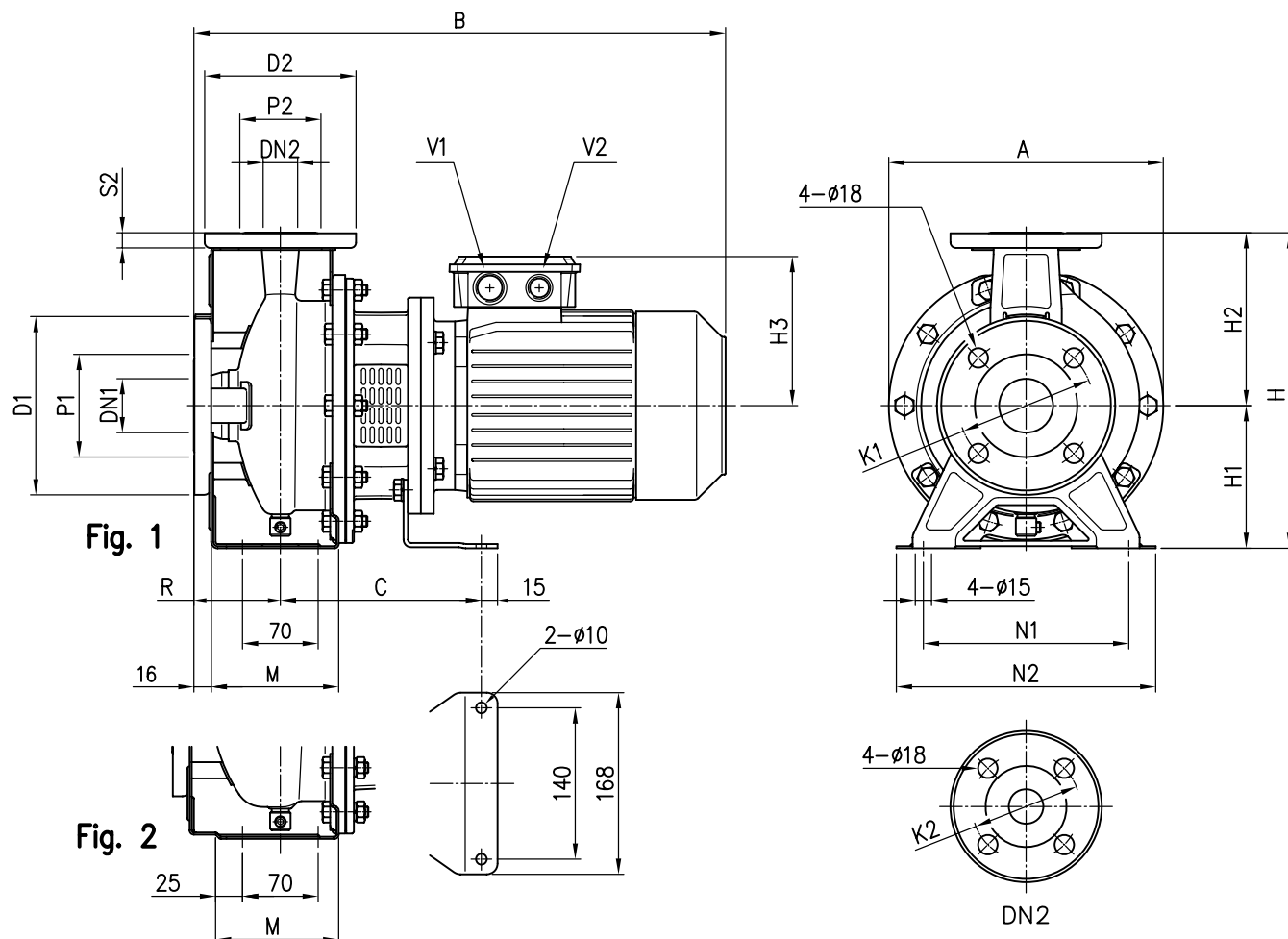
50 Hz

Rev. H

**80-160/15 – 80-160/18.5**



Pumps weight  
 80-160/15 : 130 kgf  
 80-160/18.5 : 143 kgf

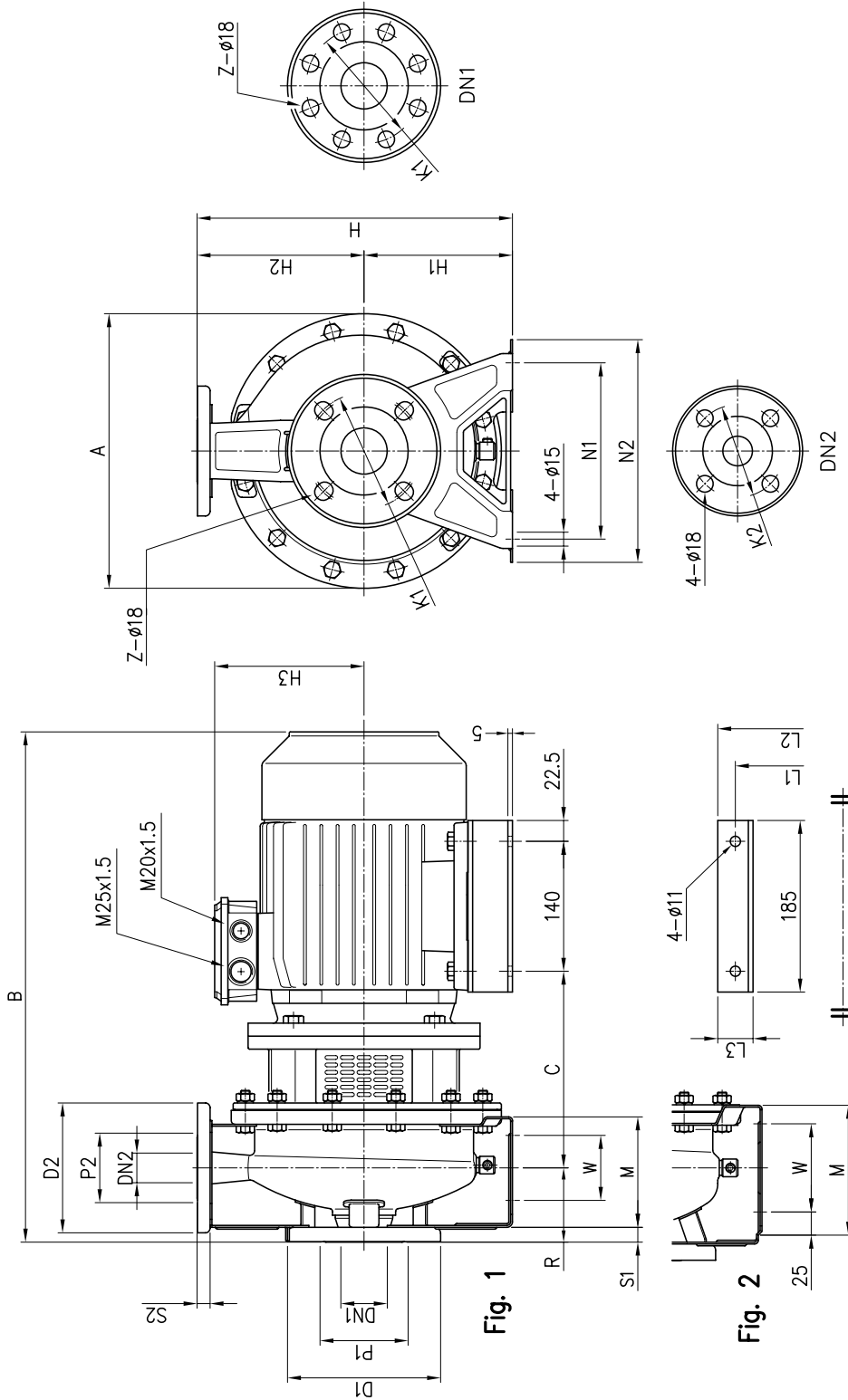


Model	Dimensions [mm]																				Weight [kgf]			
	∅ DN1	∅ P1	∅ K1	∅ D1	∅ DN2	∅ P2	∅ K2	∅ D2	S2	Fig.	H	H1	H2	H3	R	M	N1	N2	A	B		C	V1	V2
32-125/1.1	50	95	125	165	32	75	100	140	14	1	252	112	140	129	80	114	140	190	213	430	174	M25x1.5	M20x1.5	23.1
32-160/1.5	50	95	125	165	32	75	100	140	14	1	292	132	160	138	80	118	190	240	254	477	186	M25x1.5	M20x1.5	28.5
32-160/2.2	50	95	125	165	32	75	100	140	14	1	292	132	160	138	80	118	190	240	254	477	186	M25x1.5	M20x1.5	32.4
40-125/1.5	65	115	145	185	40	80	110	150	14	1	252	112	140	138	80	114	160	210	213	477	186	M25x1.5	M20x1.5	26.5
40-125/2.2	65	115	145	185	40	80	110	150	14	1	252	112	140	138	80	114	160	210	213	477	186	M25x1.5	M20x1.5	29.6
50-125/2.2	65	115	145	185	50	95	125	165	16	2	292	132	160	138	100	114	190	240	254	497	186	M25x1.5	M20x1.5	32.9

DIMENSIONS 3(.)S 32, 65

50 Hz

Rev. H



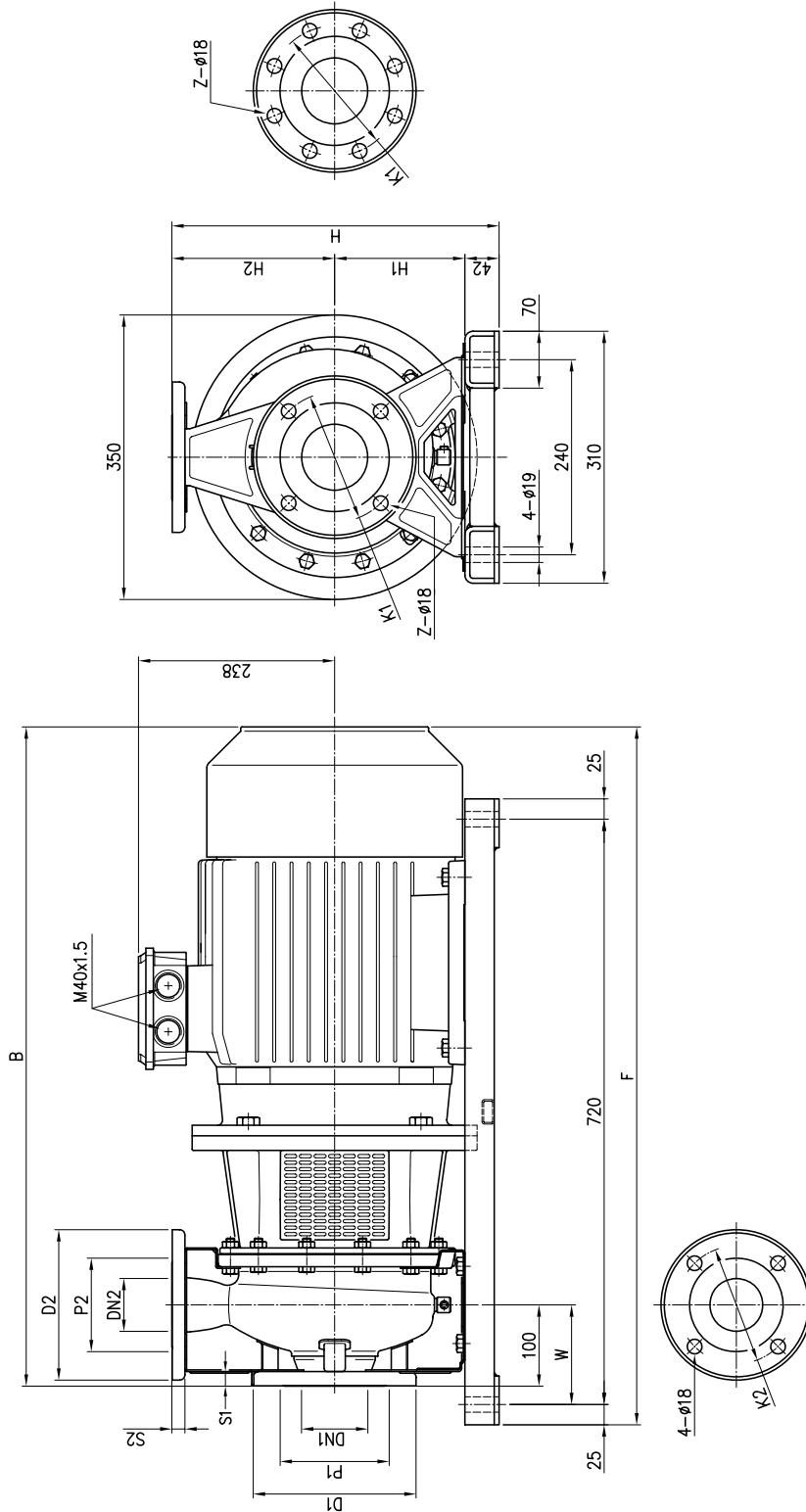
Model	Dimensions [mm]													Weight [kgf]															
	∅ DN1	∅ P1	∅ K1	∅ D1	∅ S1	Z [1]	Z [2]	∅ DN2	∅ P2	∅ K2	∅ D2	∅ S2	Fig.		H	H1	H2	H3	R	W	M	N1	N2	A	B	C	L1	L2	L3
32-200/3.0	50	95	125	165	16	4	-	32	75	100	140	14	1	340	160	180	145	80	70	119	190	240	296	528	205	160	202	42	43.4
32-200/4.0	50	95	125	165	16	4	-	32	75	100	140	14	1	340	160	180	161	80	70	119	190	240	296	550	212	190	228	38	45.9
65-125/4.0	80	134	160	200	18	8	4	65	115	145	185	16	2	340	160	180	161	100	95	140	212	280	570	212	190	228	38	47	

[1] Standard [2] On request

DIMENSIONS 3(.)S 40, 50, 65

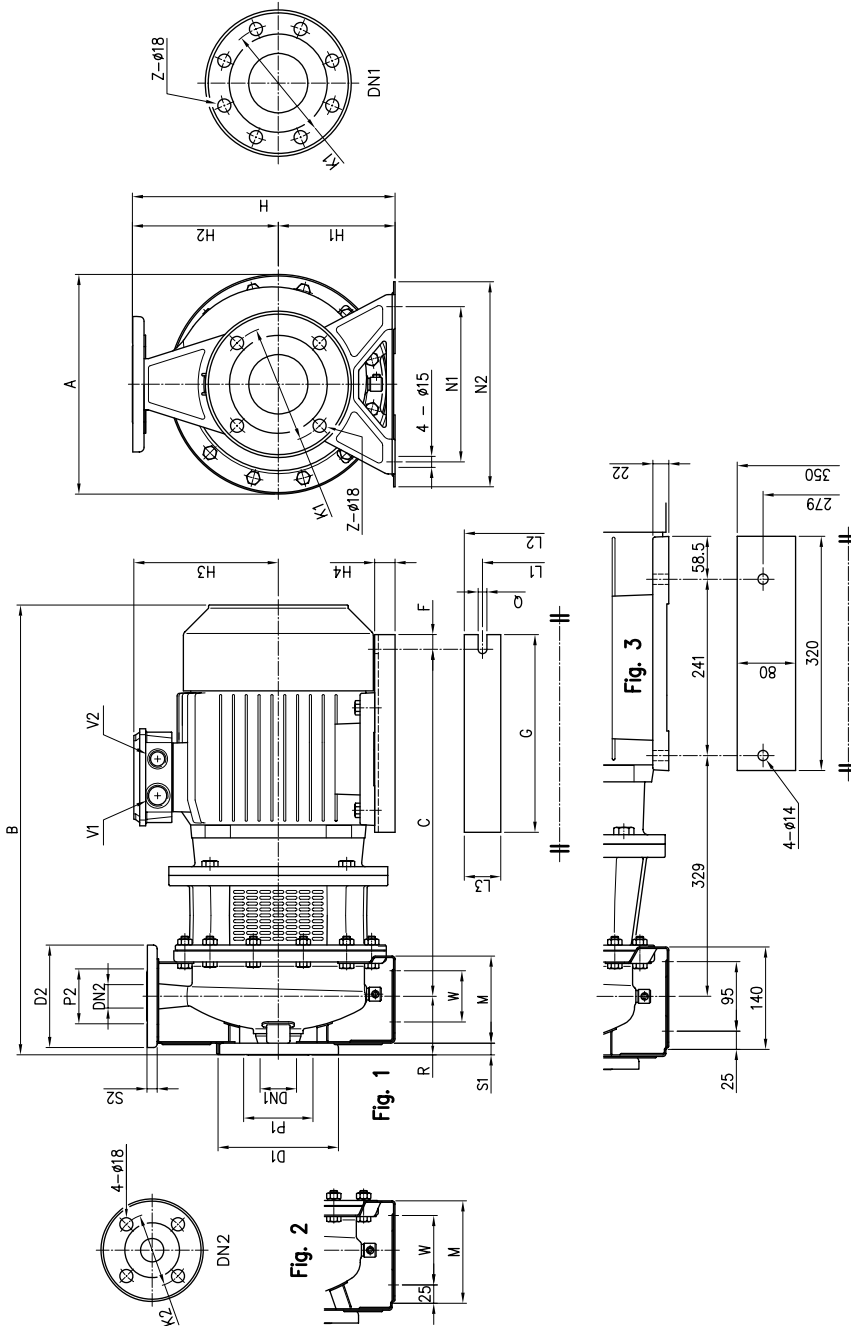
50 Hz

Rev. H



Model	Dimensions [mm]														Weight [kgf.]						
	Ø DN1	Ø P1	Ø K1	Ø D1	Ø D1	S1	[1]	Z	[2]	DN2	Ø P2	Ø K2	Ø D2	S2		H	H1	H2	W	B	F
40-200/11	65	115	145	185	16	4	4	-	40	80	110	150	14	14	382	160	180	110	798	833	107
50-200/11	65	115	145	185	16	4	4	-	50	95	125	165	16	16	402	160	200	110	798	833	107
50-200/15	65	115	145	185	16	4	4	-	50	95	125	165	16	16	402	160	200	110	798	833	131
65-160/11	80	134	160	200	18	8	8	4	65	115	145	185	16	16	402	160	200	122.5	798	846	76
65-160/15	80	134	160	200	18	8	8	4	65	115	145	185	16	16	402	160	200	122.5	808	856	104

[1] Standard [2] On request



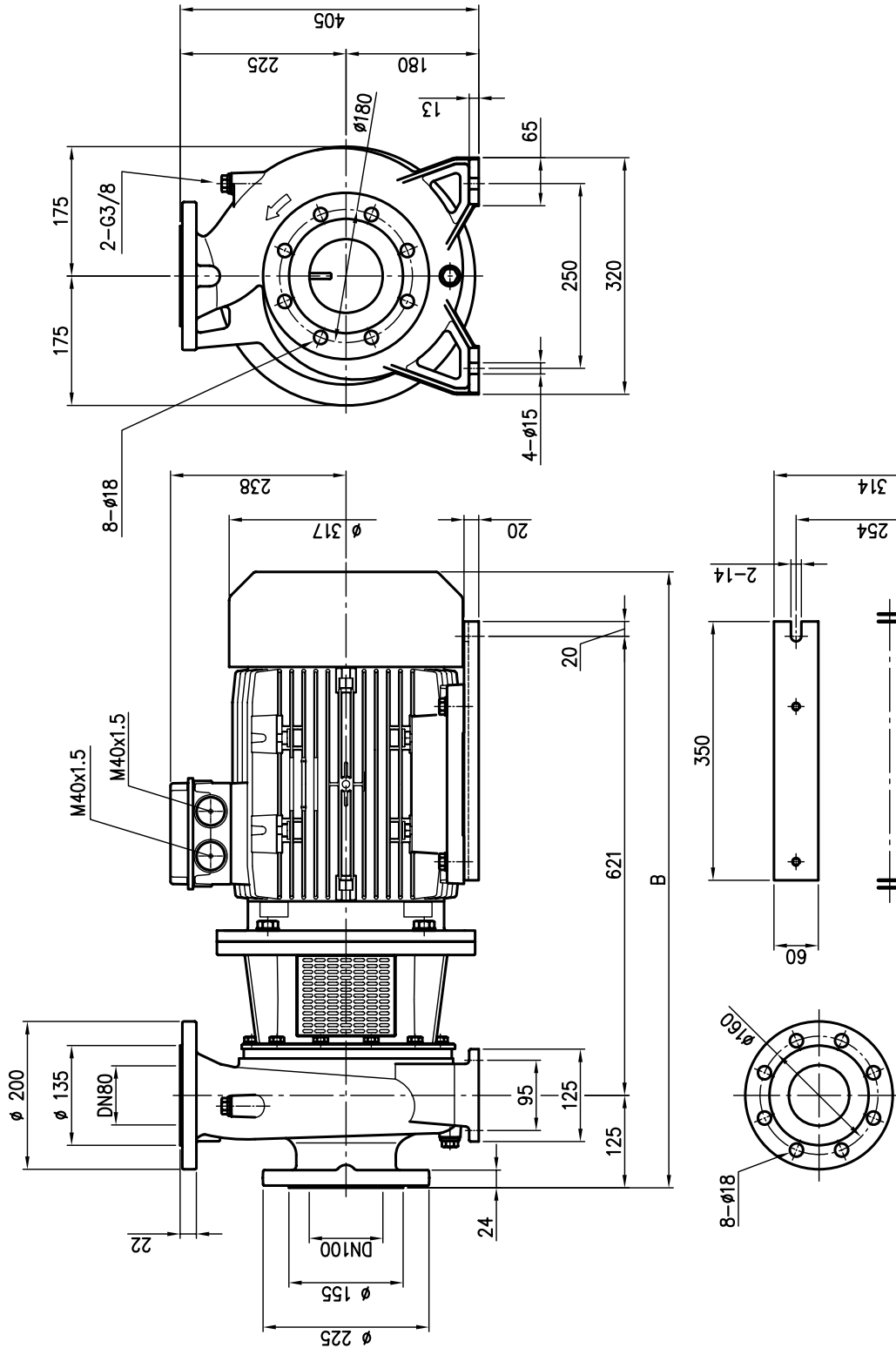
Model	Dimensions [mm]										Weight [kg]																									
	Ø DN1	Ø P1	Ø K1	Ø D1	S1	Z	Ø DN2	Ø P2	Ø K2	Ø D2		Fig.	H	H1	H2	H3	H4	R	W	M	N1	N2	A	B	C	F	G	Q	L1	L2	L3	V1	V2			
32-200/5.5	50	95	125	165	16	4	-	32	75	100	140	14	1	340	160	180	195	28	80	70	119	190	240	300	607	479	15	270	12	216	266	50	M32x1.5	M32x1.5	62.8	
32-200/7.5	50	95	125	165	16	4	-	32	75	100	140	14	1	340	160	180	195	28	80	70	119	190	240	300	607	479	15	270	12	216	266	50	M32x1.5	M32x1.5	74.6	
40-160/3.0	65	115	145	185	16	4	-	40	80	110	150	14	1	292	132	160	145	32	80	70	118	190	240	254	528	388	15	220	12	160	200	40	M25x1.5	M20x1.5	39	
40-160/4.0	65	115	145	185	16	4	-	40	80	110	150	14	1	292	132	160	161	20	80	70	118	190	240	254	550	395	15	220	12	190	240	50	M25x1.5	M20x1.5	41.5	
40-200/5.5	65	115	145	185	16	4	-	40	80	110	150	14	2	340	160	180	195	28	100	70	115	212	265	300	627	479	15	270	12	216	266	50	M32x1.5	M32x1.5	63.2	
40-200/7.5	65	115	145	185	16	4	-	40	80	110	150	14	2	340	160	180	195	28	100	70	115	212	265	300	627	479	15	270	12	216	266	50	M32x1.5	M32x1.5	69.6	
50-125/3.0	65	115	145	185	16	4	-	50	95	125	165	16	2	292	132	160	145	32	100	70	114	190	240	254	548	388	15	220	12	160	200	40	M25x1.5	M20x1.5	42	
50-125/4.0	65	115	145	185	16	4	-	50	95	125	165	16	2	292	132	160	161	20	100	70	114	190	240	254	570	395	15	220	12	190	240	50	M25x1.5	M20x1.5	42.5	
50-160/5.5	65	115	145	185	16	4	-	50	95	125	165	16	2	340	160	180	195	28	100	70	115	212	265	300	627	479	15	270	12	216	266	50	M32x1.5	M32x1.5	63.8	
50-160/7.5	65	115	145	185	16	4	-	50	95	125	165	16	2	340	160	180	195	28	100	70	115	212	265	300	627	479	15	270	12	216	266	50	M32x1.5	M32x1.5	69.6	
50-200/9.2	65	115	145	185	16	4	-	50	95	125	165	16	2	360	160	180	195	28	100	70	115	212	265	300	667	479	15	270	12	216	266	50	M32x1.5	M32x1.5	79.7	
65-125/5.5	80	134	160	200	18	8	4	65	115	145	185	16	2	340	160	180	195	28	100	95	140	212	280	300	627	479	15	270	12	216	266	50	M32x1.5	M32x1.5	60	
65-125/7.5	80	134	160	200	18	8	4	65	115	145	185	16	2	340	160	180	195	28	100	95	140	212	280	300	627	479	15	270	12	216	266	50	M32x1.5	M32x1.5	67	
65-160/9.2	80	134	160	200	18	8	4	65	115	145	185	16	2	360	160	200	195	28	100	95	140	212	280	300	627	479	15	270	12	216	266	50	M32x1.5	M32x1.5	70	
65-200/15	80	134	160	200	18	8	4	65	115	145	185	16	2	405	180	225	238	20	100	95	140	250	320	350	808	621	20	350	14	254	314	60	M40x1.5	M40x1.5	128	
65-200/18.5	80	134	160	200	18	8	4	65	115	145	185	16	2	405	180	225	238	20	100	95	140	250	320	350	852	621	20	350	14	254	314	60	M40x1.5	M40x1.5	141	
65-200/22	80	134	160	200	18	8	4	65	115	145	185	16	3	405	180	225	245	-	100	-	250	320	350	888	-	-	-	-	-	-	-	-	-	M40x1.5	M40x1.5	160

[1] Standard [2] On request

DIMENSIONS **3LS 80-160**

50 Hz

Rev. H



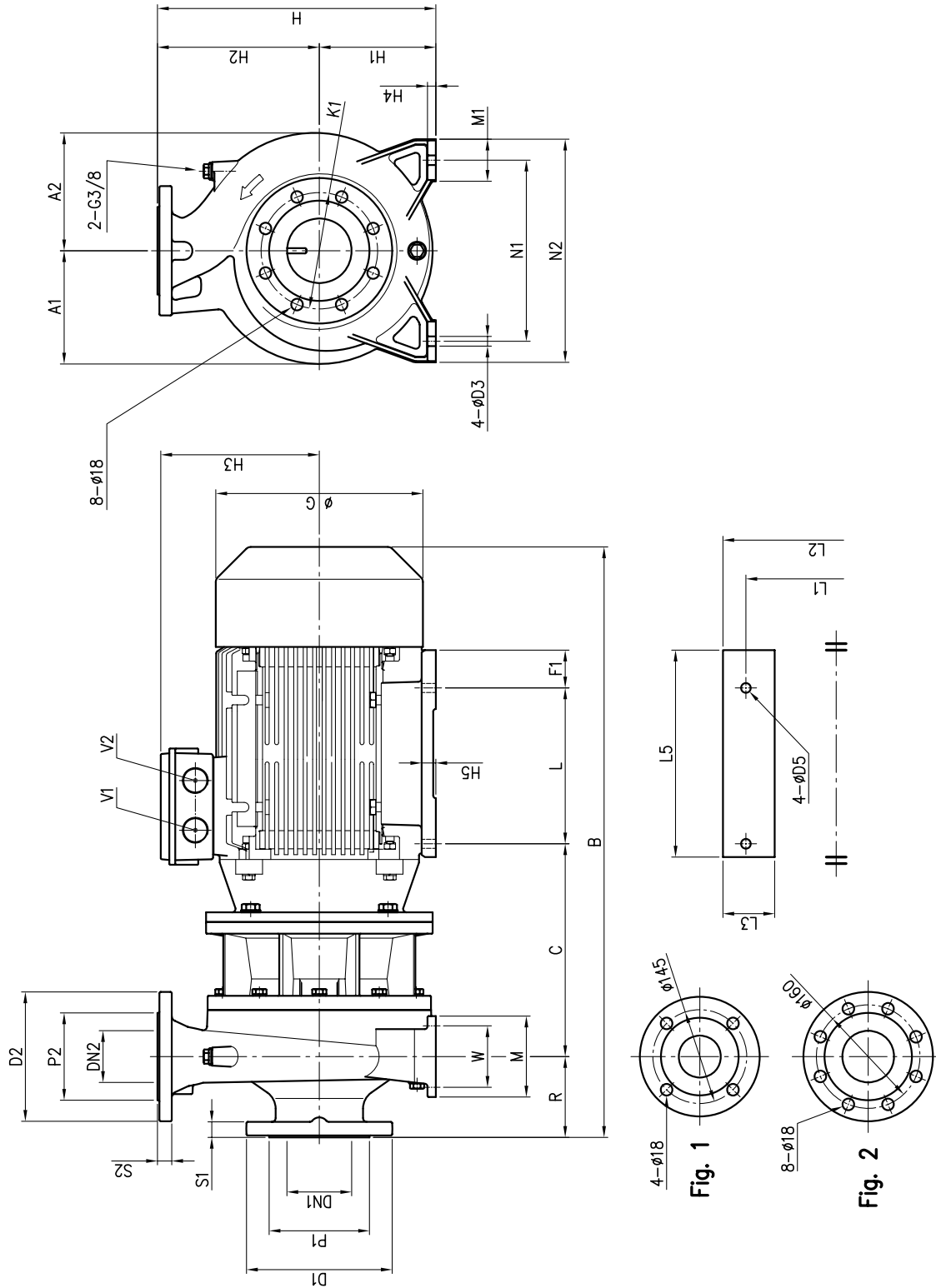
Pump type	B	Weight [kgf]
80-160/11	833	135
80-160/15R	833	147
80-160/15	833	147
80-160/18.5	877	155



DIMENSIONS 3LS 65-250, 80

50 Hz

Rev. H

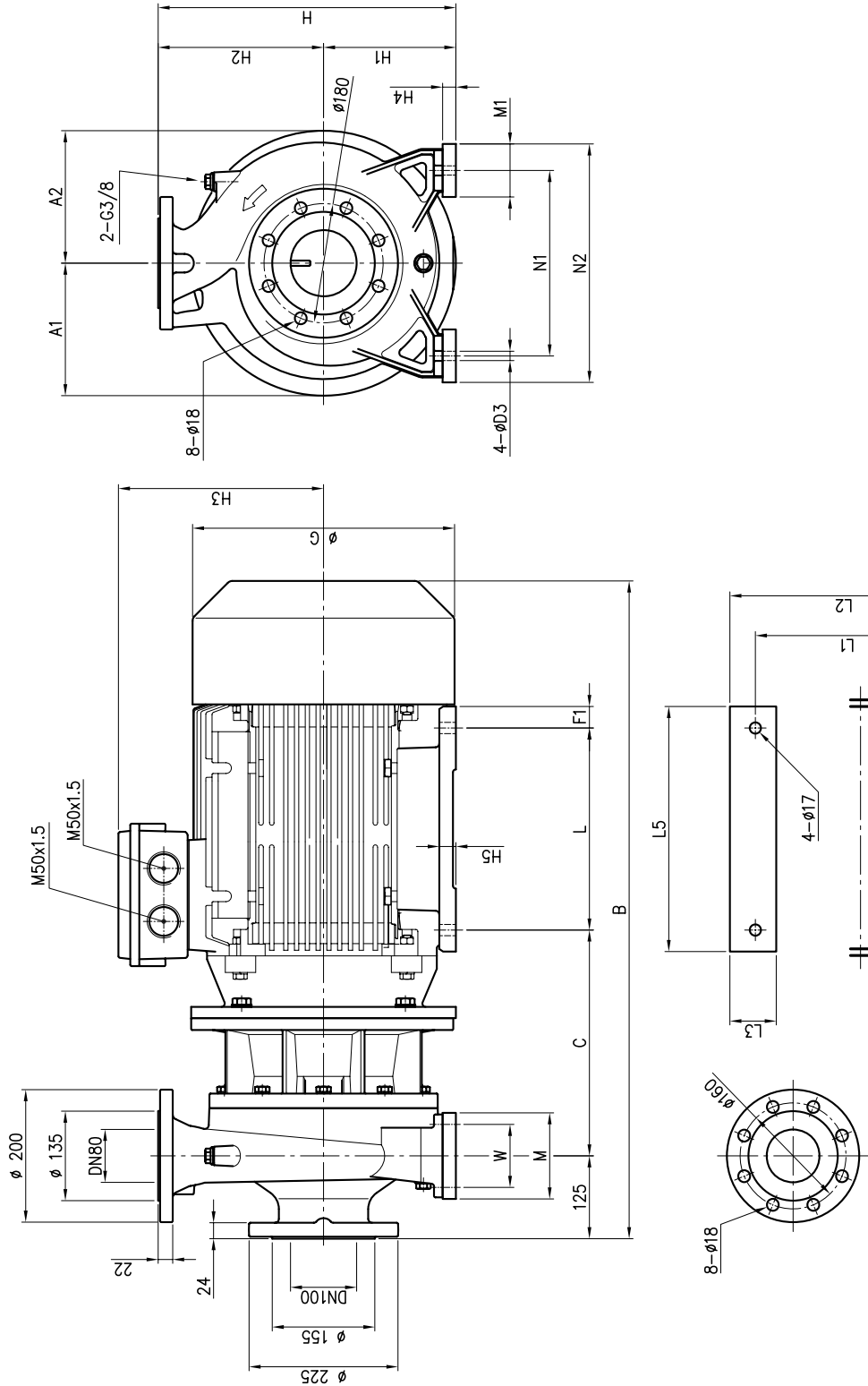


Pump type	Dimensions [mm]																								Weight [kgf]													
	DN1	P1	K1	D1	S1	DN2	P2	D2	S2	H	H1	H2	H3	H4	H5	R	W	N1	N2	M	M1	L	L1	L2	L3	L5	A1	A2	B	C	F1	G	D3	D5	V1	V2	Weight	
65-250/30	80	135	160	200	22	65	Fig. 1	120	185	20	450	200	250	310	15	25	100	120	280	360	160	80	305	318	395	70	370	200	200	968	341	32.5	396	19	17	M50x1.5	M50x1.5	303
65-250/37	80	135	160	200	22	65	Fig. 1	120	185	20	450	200	250	310	15	25	100	120	280	360	160	80	305	318	395	70	370	200	200	968	341	32.5	396	19	17	M50x1.5	M50x1.5	320
80-200/22	100	155	180	225	24	80	Fig. 2	135	200	22	430	180	250	245	13	22	125	95	280	345	125	65	241	279	350	80	320	175	182	913	329	58.5	320	15	14	M40x1.5	M40x1.5	200
80-250/37	100	155	180	225	24	80	Fig. 2	135	200	22	480	200	280	310	15	25	125	120	315	400	160	80	305	318	395	70	370	200	200	1021	369	32.5	396	19	17	M50x1.5	M50x1.5	335

DIMENSIONS **3LS 80**

50 Hz

Rev. H

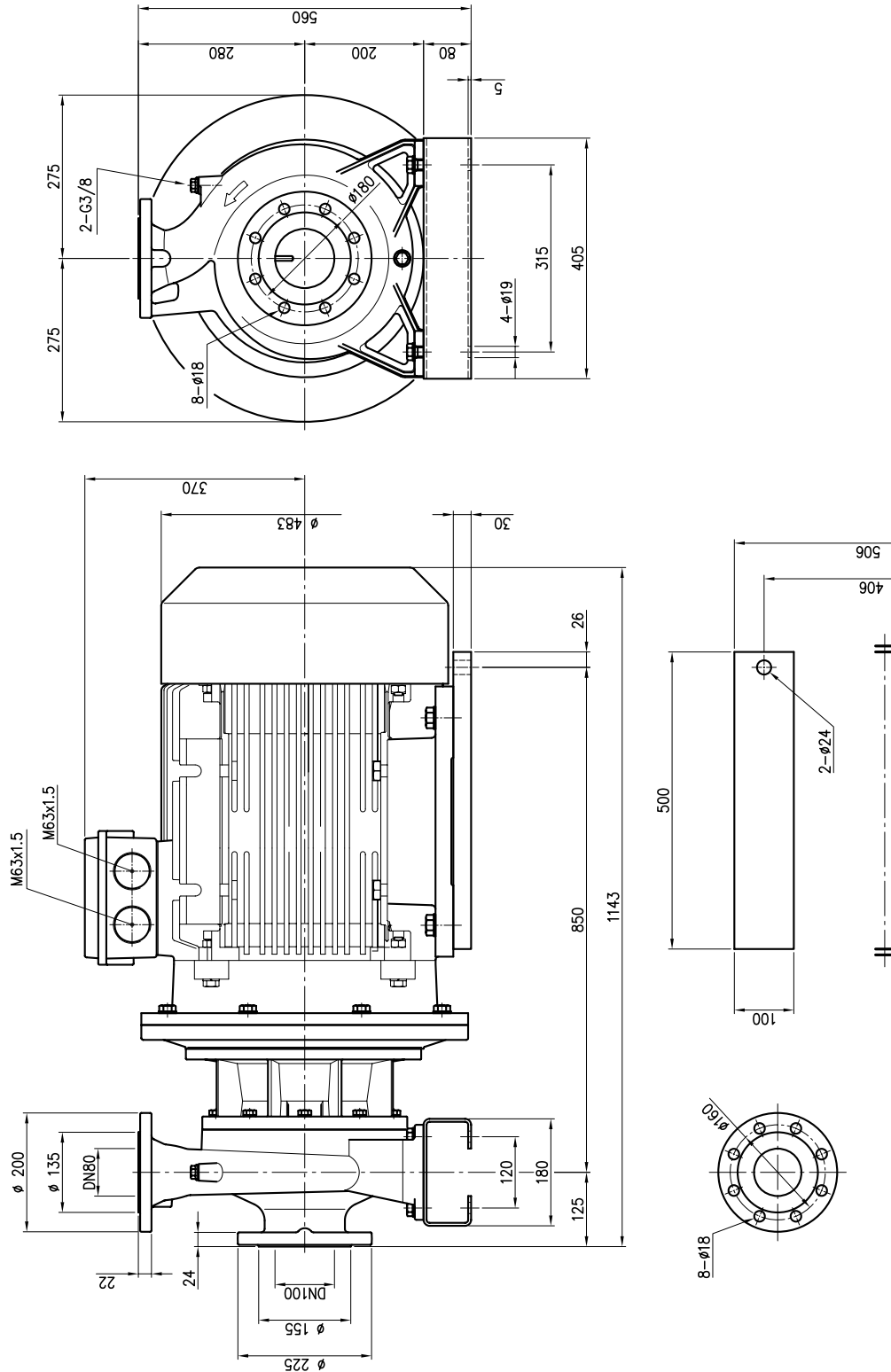


Pump type	Dimensions [mm]															Weight [kgf]								
	H	H1	H2	H3	H4	H5	W	N1	N2	M	M1	L	L1	L2	L3		L5	A1	A2	B	C	F1	G	D3
80-200/30	450	200	250	310	20	25	95	280	360	130	80	305	318	395	70	370	200	200	993	341	32.5	396	14	306
80-200/37	450	200	250	310	20	25	95	280	360	130	80	305	318	395	70	370	200	200	993	341	32.5	396	14	325
80-250/45	505	225	280	335	25	28	120	315	415	165	100	311	356	435	75	393	225	225	1051	385	41	435	18	401

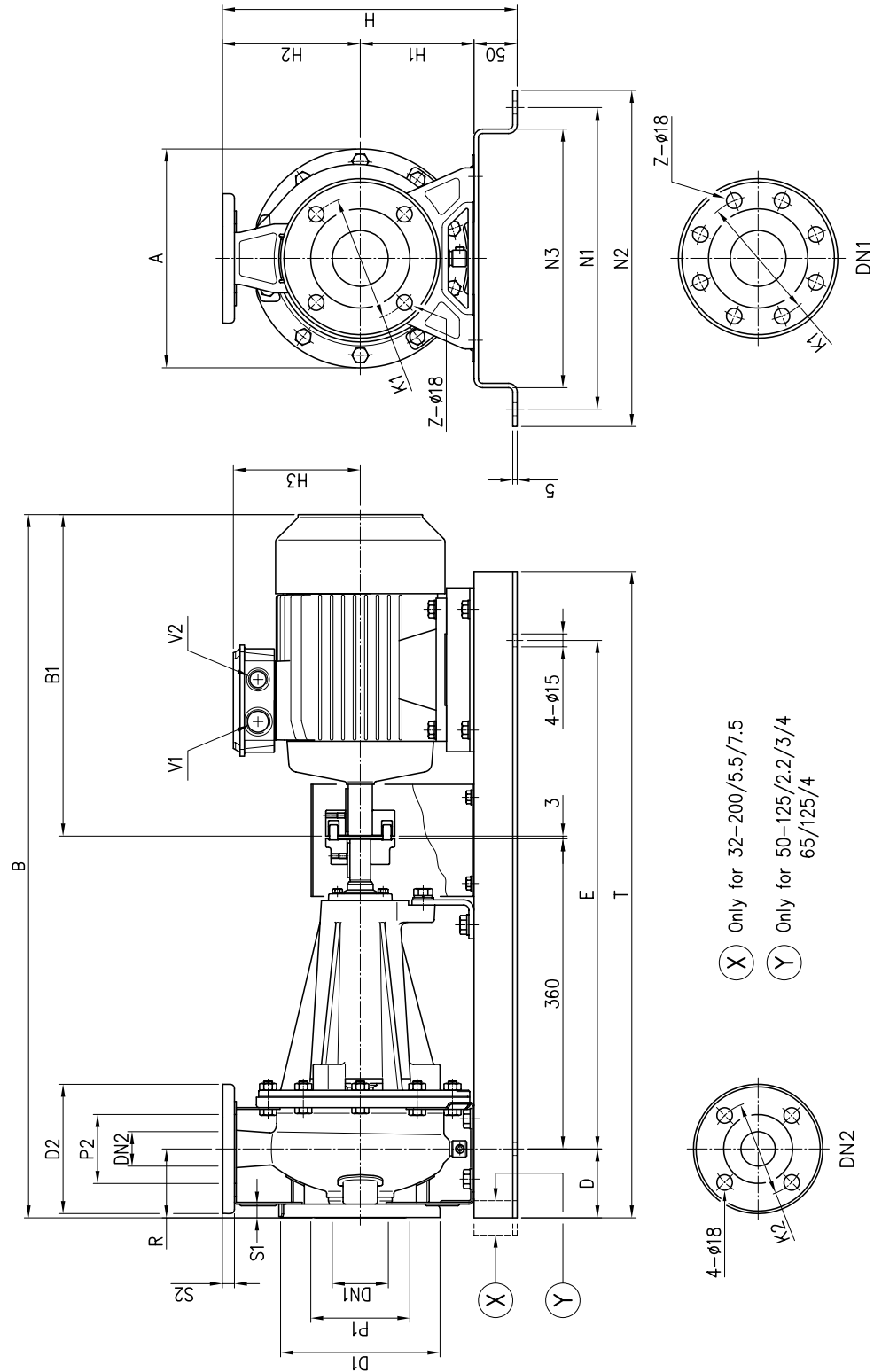
DIMENSIONS **3LS 80**

50 Hz

Rev. H



**3LS 80-250/55**  
 Pump weight: 489 kgf



For dimensions see table pag . 413

Model	Dimensions [mm]																			Weight [kgf]									
	Ø DN1	Ø P1	Ø K1	Ø D1	Ø S1	Z	Ø DN2	Ø P2	Ø K2	Ø D2	Ø S2	H	H1	H2	H3	R	A	B	B1		D	E	N1	N2	N3	T	V1	V2	
32-125/1.1	50	95	125	165	16	4	-	32	75	100	140	14	302	112	140	129	80	213	715	272	80	550	300	340	250	710	M25x1.5	M20x1.5	43.5
32-160/1.5	50	95	125	165	16	4	-	32	75	100	140	14	342	132	160	138	80	254	760	317	80	590	350	390	300	750	M25x1.5	M20x1.5	51
32-160/2.2	50	95	125	165	16	4	-	32	75	100	140	14	342	132	160	138	80	254	760	317	80	590	350	390	300	750	M25x1.5	M20x1.5	53.5
32-200/3	50	95	125	165	16	4	-	32	75	100	140	14	390	160	180	145	80	296	809	366	80	590	350	390	300	750	M25x1.5	M20x1.5	68
32-200/4	50	95	125	165	16	4	-	32	75	100	140	14	390	160	180	161	80	296	831	388	80	590	350	390	300	750	M25x1.5	M20x1.5	72
32-200/5.5	50	95	125	165	16	4	-	32	75	100	140	14	390	160	180	195	80	296	885	442	100	650	350	390	300	850	M32x1.5	M32x1.5	88
32-200/7.5	50	95	125	165	16	4	-	32	75	100	140	14	390	160	180	195	80	296	885	442	100	650	350	390	300	850	M32x1.5	M32x1.5	99.8
40-125/1.5	65	115	145	185	16	4	-	40	80	110	150	14	302	112	140	138	80	213	760	317	80	550	300	340	250	710	M25x1.5	M20x1.5	48.5
40-125/2.2	65	115	145	185	16	4	-	40	80	110	150	14	302	112	140	138	80	213	760	317	80	550	300	340	250	710	M25x1.5	M20x1.5	51
40-160/3	65	115	145	185	16	4	-	40	80	110	150	14	342	132	160	145	80	254	809	366	80	590	350	390	300	750	M25x1.5	M20x1.5	77.5
40-160/4	65	115	145	185	16	4	-	40	80	110	150	14	342	132	160	161	80	254	831	388	80	590	350	390	300	750	M25x1.5	M20x1.5	64.5
40-200/5.5	65	115	145	185	16	4	-	40	80	110	150	14	390	160	180	195	100	296	905	442	100	650	350	390	300	850	M32x1.5	M32x1.5	89
40-200/7.5	65	115	145	185	16	4	-	40	80	110	150	14	390	160	180	195	100	296	905	442	100	650	350	390	300	850	M32x1.5	M32x1.5	94.5
40-200/11	65	115	145	185	16	4	-	40	80	110	150	14	390	160	180	238	100	296	1073	610	100	800	380	420	330	1000	M40x1.5	M40x1.5	117
50-125/2.2	65	115	145	185	16	4	-	50	95	125	165	16	342	132	160	138	100	254	780	317	80	550	350	390	300	710	M25x1.5	M20x1.5	75
50-125/3	65	115	145	185	16	4	-	50	95	125	165	16	342	132	160	145	100	254	829	366	80	590	350	390	300	750	M25x1.5	M20x1.5	79
50-125/4	65	115	145	185	16	4	-	50	95	125	165	16	342	132	160	161	100	254	851	388	80	590	350	390	300	750	M25x1.5	M20x1.5	81.5
50-160/5.5	65	115	145	185	16	4	-	50	95	125	165	16	390	160	180	195	100	296	905	442	100	650	350	390	300	850	M32x1.5	M32x1.5	89
50-160/7.5	65	115	145	185	16	4	-	50	95	125	165	16	390	160	180	195	100	296	905	442	100	650	350	390	300	850	M32x1.5	M32x1.5	94.5
50-200/9.2	65	115	145	185	16	4	-	50	95	125	165	16	410	160	200	195	100	296	945	482	100	650	350	390	300	850	M32x1.5	M32x1.5	100
50-200/11	65	115	145	185	16	4	-	50	95	125	165	16	410	160	200	238	100	296	1073	610	100	800	380	420	330	1000	M40x1.5	M40x1.5	117.5
50-200/15	65	115	145	185	16	4	-	50	95	125	165	16	410	160	200	238	100	296	1073	610	100	800	380	420	330	1000	M40x1.5	M40x1.5	125.4
65-125/4	80	134	160	200	18	8	4	65	115	145	185	16	390	160	180	161	100	254	851	388	80	590	350	390	300	750	M25x1.5	M20x1.5	82
65-125/5.5	80	134	160	200	18	8	4	65	115	145	185	16	390	160	180	195	100	254	905	442	100	650	350	390	300	850	M32x1.5	M32x1.5	90
65-125/7.5	80	134	160	200	18	8	4	65	115	145	185	16	390	160	180	195	100	254	905	442	100	650	350	390	300	850	M32x1.5	M32x1.5	97
65-160/7.5	80	134	160	200	18	8	4	65	115	145	185	16	410	160	200	195	100	296	905	442	100	650	350	390	300	850	M32x1.5	M32x1.5	103
65-160/9.2	80	134	160	200	18	8	4	65	115	145	185	16	410	160	200	195	100	296	945	482	100	650	350	390	300	850	M32x1.5	M32x1.5	107
65-160/11	80	134	160	200	18	8	4	65	115	145	185	16	410	160	200	238	100	296	1073	610	100	800	380	420	330	1000	M40x1.5	M40x1.5	114
65-160/15	80	134	160	200	18	8	4	65	115	145	185	16	410	160	200	238	100	296	1073	610	100	800	380	420	330	1000	M40x1.5	M40x1.5	119
65-200/15	80	134	160	200	18	8	4	65	115	145	185	16	455	180	225	238	100	296	1073	610	100	800	380	420	330	1000	M40x1.5	M40x1.5	127
65-200/18.5	80	134	160	200	18	8	4	65	115	145	185	16	455	180	225	238	100	296	1117	654	100	800	380	420	330	1000	M40x1.5	M40x1.5	139
65-200/22	80	134	160	200	18	8	4	65	115	145	185	16	455	180	225	245	100	296	1153	690	100	800	410	450	360	1000	M40x1.5	M40x1.5	182

[1] Standard

[2] On request

DIMENSIONS 3LP 65-250, 80

50 Hz

Rev. H

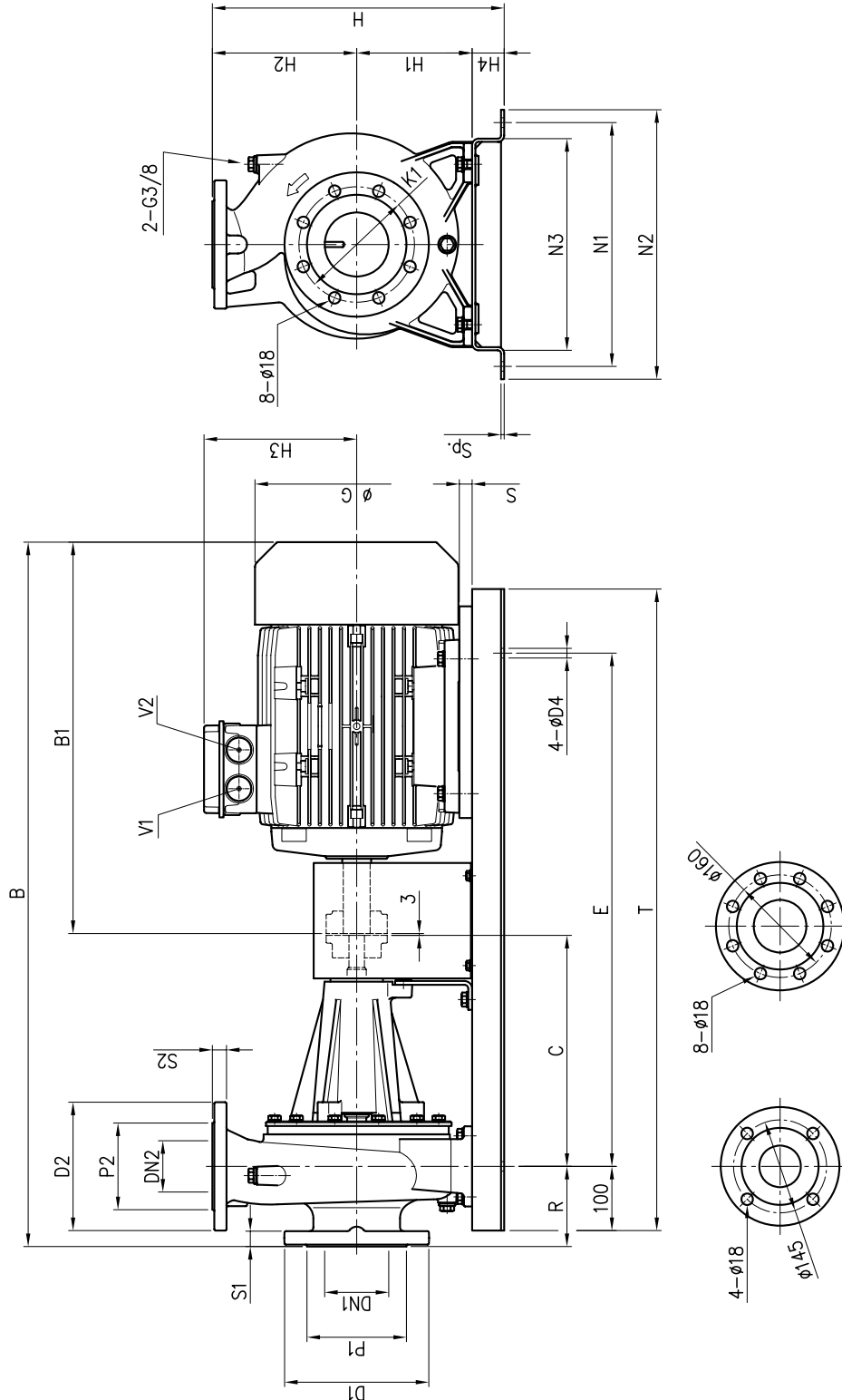


Fig. 2

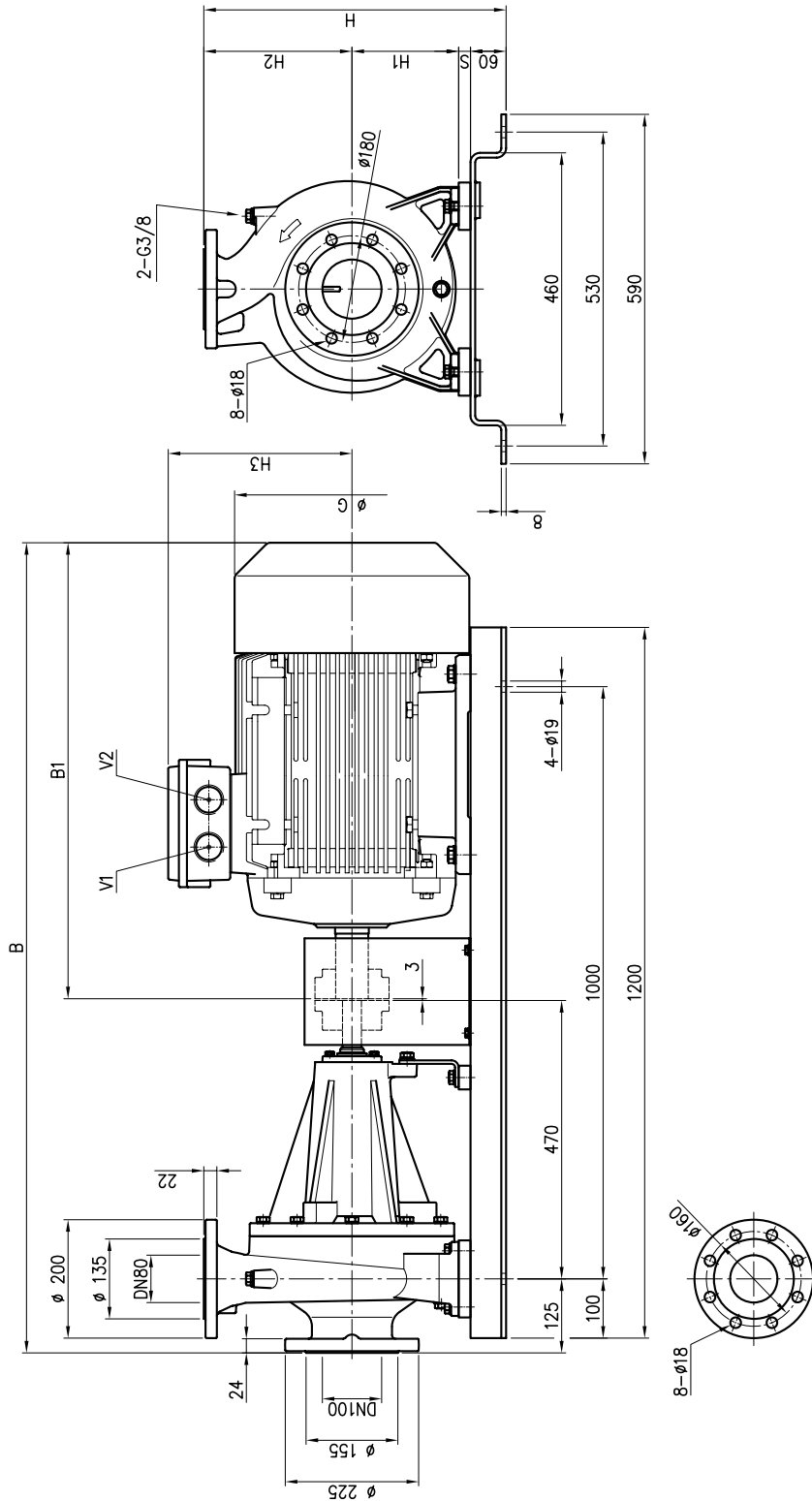
Fig. 1

Pump type	Dimensions [mm]																Weight [kgf]													
	DN1	P1	k1	D1	S1	DN2	P2	D2	S2	H	H1	H2	H3	H4	R	N1		N2	N3	B	B1	C	G	E	T	S	D4	Sp.	V1	V2
65-250/30	80	135	160	200	22	65 Fig. 1	120	185	20	510	200	250	310	60	100	530	590	460	1343	770	470	396	1000	1200	-	19	8	M50x1.5	M50x1.5	354
65-250/37	80	135	160	200	22	65 Fig. 1	120	185	20	510	200	250	310	60	100	530	590	460	1343	770	470	396	1000	1200	-	19	8	M50x1.5	M50x1.5	373
80-160/11	100	155	180	225	24	80 Fig. 2	135	200	22	455	180	225	238	50	125	380	420	330	1098	610	360	317	800	1000	20	15	5	M40x1.5	M40x1.5	164
80-160/15R	100	155	180	225	24	80 Fig. 2	135	200	22	455	180	225	238	50	125	380	420	330	1098	610	360	317	800	1000	20	15	5	M40x1.5	M40x1.5	176
80-160/15	100	155	180	225	24	80 Fig. 2	135	200	22	455	180	225	238	50	125	380	420	330	1098	610	360	317	800	1000	20	15	5	M40x1.5	M40x1.5	176
80-160/18.5	100	155	180	225	24	80 Fig. 2	135	200	22	455	180	225	238	50	125	380	420	330	1142	654	360	317	800	1000	20	15	5	M40x1.5	M40x1.5	185
80-200/22	100	155	180	225	24	80 Fig. 2	135	200	22	490	180	225	245	60	125	530	590	460	1288	690	470	320	1000	1200	-	19	8	M40x1.5	M40x1.5	252
80-250/37	100	155	180	225	24	80 Fig. 2	135	200	22	540	200	280	310	60	125	530	590	460	1368	770	470	396	1000	1200	-	19	8	M50x1.5	M50x1.5	377

DIMENSIONS **3LP 80**

50 Hz

Rev. H

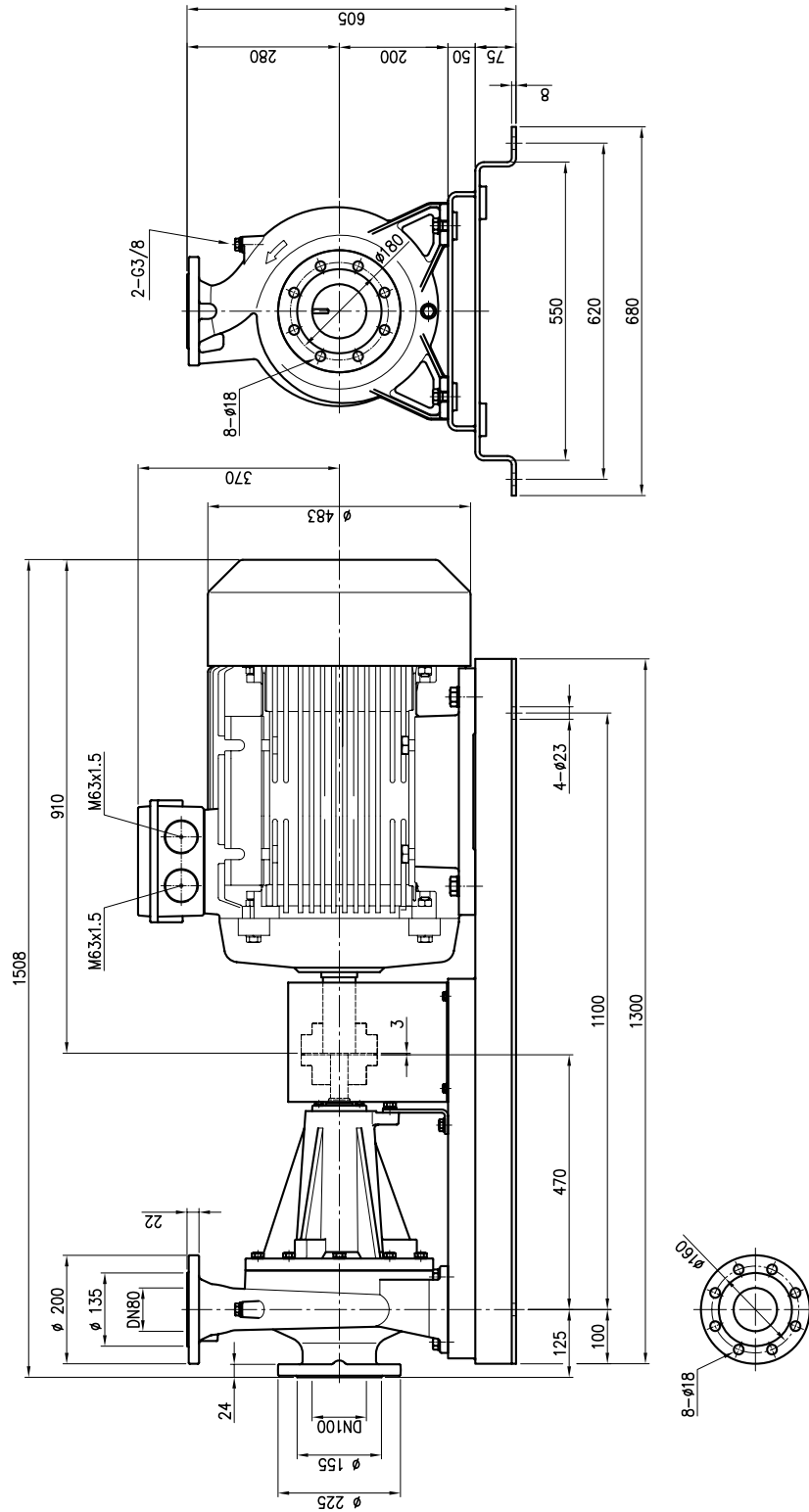


Pump type	H	H1	H2	H3	B	B1	G	S	V1	V2	Weight [kgf]
80-200/30	510	180	250	310	1368	770	396	20	M50x1.5	M50x1.5	356
80-200/37	510	180	250	310	1368	770	396	20	M50x1.5	M50x1.5	365
80-250/45	565	200	280	335	1398	800	435	25	M50x1.5	M50x1.5	440

DIMENSIONS **3LP 80**

50 Hz

Rev. H



**3LP 80-250/55**  
 Pump weigh: 528 kgf

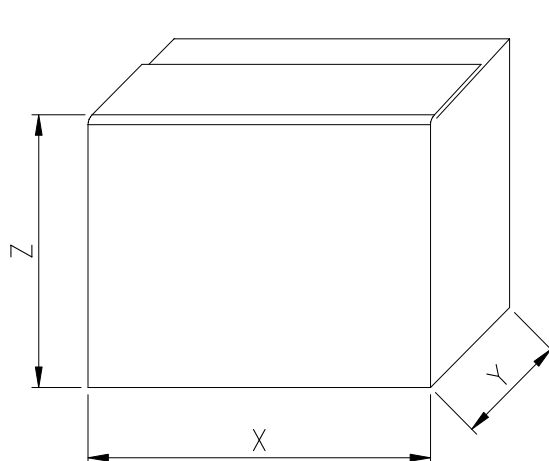


**PACKING AND WEIGHT 3(.)M**

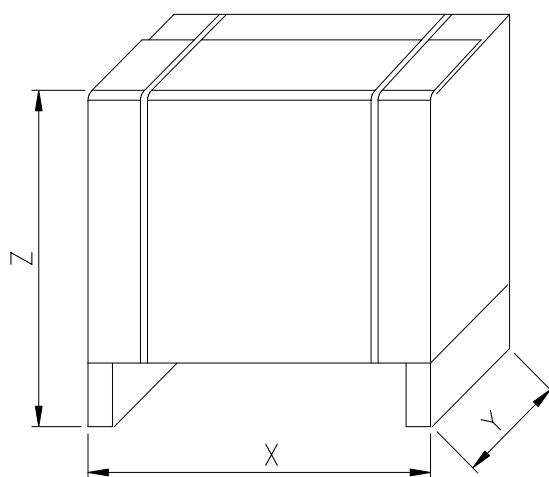
50 Hz

Rev. H

Pump type	PACKING [mm]			WEIGHT [kgf]	PACK TYPE	
	x	y	z			
32-125/1.1	450	250	300	21.5	1	
32-160/1.5	430	280	330	24.2		
32-160/2.2				27.3		
32-200/3	500	330	390	34.9		
32-200/4				42.3		
32-200/5.5				53.2		
32-200/7.5	580	350	480	65	2	
40-125/1.5	450	250	300	22.3	1	
40-125/2.2	490	280	340	24.7		
40-160/3				30		
40-160/4	37.6					
40-200/5.5	580	350	480	54.5	2	
40-200/7.5	700	350	490	61.6		
40-200/11				73.8		
50-125/2.2	490	280	340	30.8	1	
50-125/3				31.5		
50-125/4				37.6		
50-160/5.5	580	350	480	54	2	
50-160/7.5	700	350	490	61.1		
50-200/9.2				67.5		
50-200/11				73.5		
50-200/15	880	390	520	100		2
65-125/4	500	330	390	40		
65-125/5.5	580	350	480	52		
65-125/7.5	700	350	490	58.5		
65-160/7.5				62		
65-160/9.2				67		
65-160/11				75.6		
65-160/15	880	390	520	93		
65-200/15				114		
65-200/18.5				127		
65-200/22	700	390	533	136		
80-160/11				100		
80-160/13				103		
80-160/15				137		
80-160/18.5	880	390	518	151		



TYPE 1



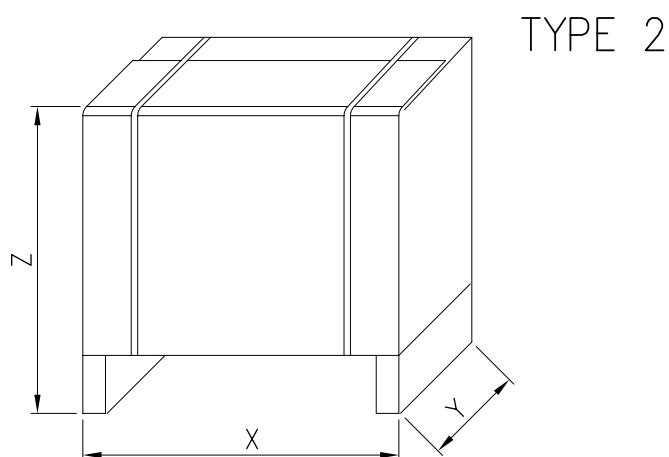
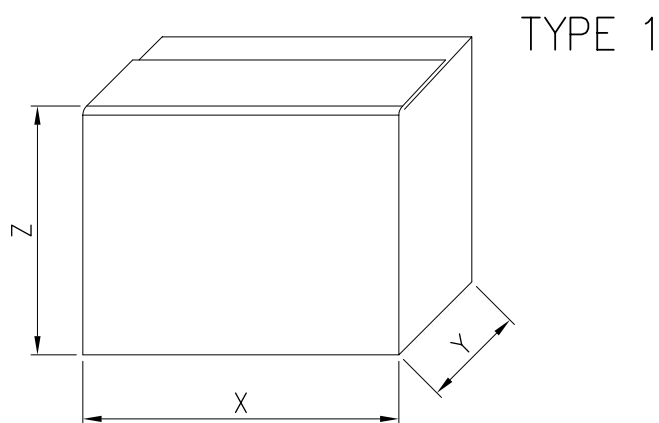
TYPE 2

PACKING AND WEIGHT **3(.)S**

50 Hz

Rev. H

Pump type	PACKING [mm]			WEIGHT [kgf]	PACK TYPE
	x	y	z		
32-125/1.1	450	250	300	23.6	1
32-160/1.5	580	350	480	33.4	
32-160/2.2				35.9	
32-200/3.0	700	350	490	47.5	
32-200/4.0				48.8	
32-200/5.5				65.3	
32-200/7.5				71.7	
40-125/1.5	580	350	480	28.9	
40-125/2.2				33.3	
40-160/3.0	700	350	490	41.9	
40-160/4.0				45.9	
40-200/5.5				67.4	
40-200/7.5				73.8	
40-200/11	880	390	520	114	
50-125/3.0	700	350	490	43	
50-125/4.0				46.5	
50-160/5.5				67.8	
50-160/7.5				73.6	
50-200/9.2				83.7	
50-200/11				880	
50-200/15	880	390	520	136	
65-125/4.0	700	350	490	47	
65-125/5.5				60	
65-125/7.5				67	
65-160/7.5				70	
65-160/9.2				77	
65-160/11				880	390
65-160/15	970	580	104		
65-200/15	880	390	520	128	
65-200/18.5	970			580	141
65-200/22					160
65-250/30	1100	500	717	322	
65-250/37				339	
80-160/11	880	390	518	141	
80-160/15R				153	
80-160/15				153	
80-160/18.5	970	390	588	162	
80-200/22	1100	500	717	219	
80-200/30				325	
80-200/37				344	
80-250/37				354	
80-250/45				429	
80-250/55	1400	600	817	517	



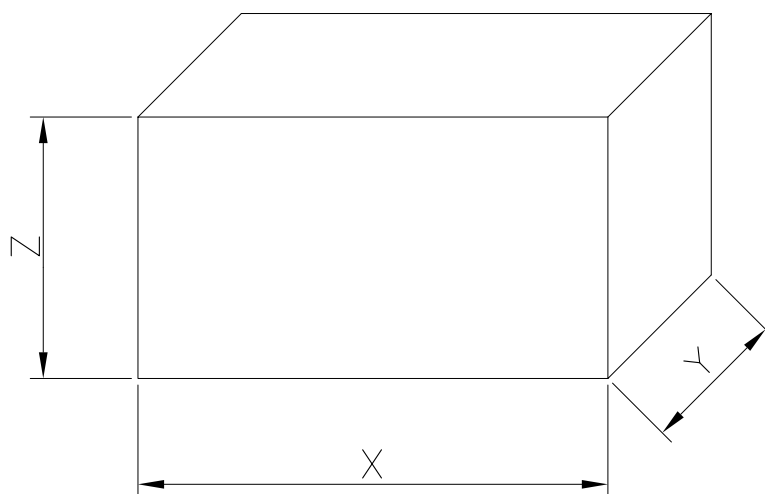
2

**DIMENSIONS AND WEIGHT 3(.)P**

50 Hz

Rev. H

Pump type	PACKING [mm]			WEIGHT [kgf]
	x	y	z	
32-125/1.1	715	340	302	43.5
32-125/1.1 M			312	
32-160/1.5	760	390	342	51
32-160/1.5 M				53.5
32-160/2.2			390	
32-160/2.2 M				72
32-200/3.0	809	390	408	88
32-200/4.0	831		99.8	
32-200/5.5	913		302	48.5
32-200/7.5			322	
40-125/1.5	760	340	302	51
40-125/1.5 M	760		322	
40-125/2.2			390	302
40-125/2.2 M	322			
40-160/3.0	809	390	343	64.5
40-160/4.0	831		89	
40-200/5.5	913		408	94.5
40-200/7.5			456	117
40-200/11	1076	420	456	117
50-125/2.2	780	390	342	75
50-125/2.2 M			342	79
50-125/3.0	829	390	343	81.5
50-125/4.0	851		89	
50-160/5.5	913		408	94.5
50-160/7.5			410	100
50-200/9.2	951	420	456	117.5
50-200/11	1076		456	125.4
50-200/15	1076		390	82
65-125/4.0			390	90
65-125/5.5	913	390	408	97
65-125/7.5			410	103
65-160/7.5	951	420	410	107
65-160/9.2			456	114
65-160/11			456	119
65-160/15			476	127
65-200/15	1120	450	496	182
65-200/18.5	1175		601	354
65-200/22	1352		601	373
65-250/30			601	164
65-250/37	1101	420	476	176
80-160/11			176	
80-160/15R				185
80-160/15			1145	
80-160/18.5	1310	590	601	356
80-200/22			601	365
80-200/30	1377	590	645	440
80-200/37			645	528
80-250/37	1465	680	715	528
80-250/45			715	528
80-250/55	1570	680	715	528



MOTOR DATA

50 Hz

Rev. H

Pump type 50 Hz	Power		Motor		Capacitor		Input [kW]	Full load current [A]			Locked rotor current [A]						
	kW	HP	Size	Type	m F	Vc		230 V	400 V	690 V	230 V	400 V	690 V				
3(.)M 32-125/1.1 M	1.1	1.5	90	-	31.5	450	1.51	6.7	-	-	23.5	-	-				
3(.)M 32-125/1.1	1.5	2					-	-	2	5.9	3.4	-	-	36.5	21.1	-	
3(.)M 32-160/1.5 M	1.5	2					40	450	2.1	9.6	-	-	-	47	-	-	
3(.)M 32-160/1.5	1.5	2					-	-	2	5.9	3.4	-	-	36.5	21.1	-	
3(.)M 32-160/2.2 M	2.2	3					50	450	2.95	13.3	-	-	-	63.8	-	-	
3(.)M 32-160/2.2	2.2	3					-	-	2.8	8.3	4.8	-	-	53.2	30.7	-	
3(.)M 32-200/3.0	3	4					-	-	3.75	11.3	6.5	-	-	75.5	43.6	-	
3(.)M 32-200/4.0	4	5.5					100	-	5.1	15.9	9.2	-	-	82.8	47.8	-	
3(.)M 32-200/5.5	5.5	7.5					112	-	-	-	6.7	-	11.8	6.8	-	89.7	51.8
3(.)M 32-200/7.5	7.5	10									9.1	-	15.7	9.1	-	126	72.5
3(.)M 40-125/1.5 M	1.5	2	90	-	40	450	2.1	9.6	-	-	47	-	-				
3(.)M 40-125/1.5	1.5	2					-	-	2	5.9	3.4	-	-	36.5	21.1	-	
3(.)M 40-125/2.2 M	2.2	3					50	450	2.95	13.3	-	-	-	63.8	-	-	
3(.)M 40-125/2.2	2.2	3					-	-	2.8	8.3	4.8	-	-	53.2	30.7	-	
3(.)M 40-160/3.0	3	4					-	-	3.75	11.3	6.5	-	-	75.5	43.6	-	
3(.)M 40-160/4.0	4	5.5					100	-	5.1	15.9	9.2	-	-	82.8	47.8	-	
3(.)M 40-200/5.5	5.5	7.5					112	-	-	-	6.7	-	11.8	6.8	-	89.7	51.8
3(.)M 40-200/7.5	7.5	10									9.1	-	15.7	9.1	-	126	72.5
3(.)M 40-200/11	11	15					132	-	13.1	-	22	12.7	-	136	78.7	-	
3(.)M 50-125/2.2 M	2.2	3					90	-	50	450	2.95	13.3	-	-	63.8	-	-
3(.)M 50-125/2.2	2.2	3	-	-	2.8	8.3					4.8	-	-	53.2	30.7	-	
3(.)M 50-125/3.0	3	4	-	-	3.75	11.3					6.5	-	-	98	43.6	-	
3(.)M 50-125/4.0	4	5.5	100	-	5.1	15.9					9.2	-	-	82.8	47.8	-	
3(.)M 50-160/5.5	5.5	7.5	112	-	-	-					6.7	-	11.8	6.8	-	89.7	51.8
3(.)M 50-160/7.5	7.5	10									9.1	-	15.7	9.1	-	126	72.5
3(.)M 50-200/9.2	9.2	12.5	132	-	-	-					11	-	18.8	10.8	-	117	67.3
3(.)M 50-200/11	11	15									13.1	-	22	12.7	-	136	78.7
3(.)M 50-200/15	15	20	160	-	17.5	-					30	17.3	-	231	133	-	
3(.)M 65-125/4	4	5.5	100	-	-	-					5.1	15.9	9.2	-	82.8	47.8	-
3(.)M 65-125/5.5	5.5	7.5	112	-	-	-	6.7	-	11.8	6.8	-	89.7	51.8				
3(.)M 65-125/7.5	7.5	10					9.1	-	15.7	9.1	-	126	72.5				
3(.)M 65-160/7.5	7.5	10	132	-	-	-	9.1	-	15.7	9.1	-	126	72.5				
3(.)M 65-160/9.2	9.2	12.5					11	-	18.8	10.8	-	117	67.3				
3(.)M 65-160/11	11	15	160	-	-	-	13.1	-	22	12.7	-	136	78.5				
3(.)M 65-160/15	15	20					17.5	-	30	17.3	-	231	133				
3(.)M 65-200/15	15	20	160	-	-	-	17.5	-	30	17.3	-	231	133				
3(.)M 65-200/18.5	18.5	25					21.3	-	39	22.5	-	339	196				
3(.)M 65-200/22	22	30	25	-	42.3	24.4	-	368	213								
3LM 80-160/11	11	15	132	-	-	-	13.1	-	22	12.7	-	136	78.7				
3LM 80-160/13	13	17.5	160	-	-	-	15	-	25	14.4	-	188	108				
3LM 80-160/15	15	20					17.5	-	30	17.3	-	231	133				
3LM 80-160/18.5	18.5	25	21.3	-	39	22.5	-	339	196								

MOTOR DATA

50 Hz

Rev. H

Pump type		Power		Motor		Input [kW]	Full load current [A]			Locked rotor current [A]				
		kW	HP	Size	Type		230 V	400 V	690 V	230 V	400 V	690 V		
50 Hz														
3(.)S 32-125/1.1	3(.)P 32-125/1.1	1.1	1.5	80	B5	1.42	4.3	2.5	-	19.9	11.5	-		
3(.)S 32-160/1.5	3(.)P 32-160/1.5	1.5	2	90		1.91	5.9	3.4		29.4	17			
3(.)S 32-160/2.2	3(.)P 32-160/2.2	2.2	3			2.69	8.5	4.9		60.3	34.8			
3(.)S 32-200/3.0	3(.)P 32-200/3.0	3	4	100	B35	3.63	11.1	6.4	-	66.5	38.4	-		
3(.)S 32-200/4.0	3(.)P 32-200/4.0	4	5.5	112		4.71	14.4	8.3		115	66.4			
3(.)S 32-200/5.5	3(.)P 32-200/5.5	5.5	7.5	132		6.35	-	10.5		6.1	65.1		37.6	
3(.)S 32-200/7.5	3(.)P 32-200/7.5	7.5	10			8.36	-	14.6	8.4	-	122	70.4		
3(.)S 40-125/1.5	3(.)P 40-125/1.5	1.5	2	90	B5	1.91	5.9	3.4	-	29.4	17	-		
3(.)S 40-125/2.2	3(.)P 40-125/2.2	2.2	3			2.69	8.5	4.9		60.3	34.8			
3(.)S 40-160/3.0	3(.)P 40-160/3.0	3	4	100		3.63	11.1	6.4		66.5	38.4			
3(.)S 40-160/4.0	3(.)P 40-160/4.0	4	5.5	112	B35	4.71	14.4	8.3	-	115	66.4	-		
3(.)S 40-200/5.5	3(.)P 40-200/5.5	5.5	7.5	132		6.35	-	10.5		6.1	65.1		37.6	
3(.)S 40-200/7.5	3(.)P 40-200/7.5	7.5	10			8.36	-	14.6		8.4	-		122	70.4
3(.)S 40-200/11	3(.)P 40-200/11	11	15	160		12.46	-	21.7	12.5	-	152	87.8		
3(.)S 50-125/2.2	3(.)P 50-125/2.2	2.2	3	90	B5	2.69	8.5	4.9	-	60.3	34.8	-		
3(.)S 50-125/3.0	3(.)P 50-125/3.0	3	4	100		3.63	11.1	6.4		66.5	38.4			
3(.)S 50-125/4.0	3(.)P 50-125/4.0	4	5.5	112		4.71	14.4	8.3		115	66.4			
3(.)S 50-160/5.5	3(.)P 50-160/5.5	5.5	7.5	132	B35	6.35	-	10.5	6.1	-	65.1	37.6		
3(.)S 50-160/7.5	3(.)P 50-160/7.5	7.5	10			8.36	-	14.6	8.4	-	122	70.4		
3(.)S 50-200/9.2	3(.)P 50-200/9.2	9.2	12.5	160		10.55	-	17.3	10	-	126	72.7		
3(.)S 50-200/11	3(.)P 50-200/11	11	15			12.46	-	21.7	12.5	-	152	87.8		
3(.)S 50-200/15	3(.)P 50-200/15	15	20			16.78	-	28.5	16.4	-	231	133		
3(.)S 65-125/4	3(.)P 65-125/4	4	5.5	112	B35	4.71	14.4	8.3	-	115	66.4	-		
3(.)S 65-125/5.5	3(.)P 65-125/5.5	5.5	7.5	132		6.35	-	10.5		6.1	-		65.1	37.6
3(.)S 65-125/7.5	3(.)P 65-125/7.5	7.5	10			8.36	-	14.6		8.4	-		122	70.4
3(.)S 65-160/7.5	3(.)P 65-160/7.5	7.5	10	132	B35	10.55	-	17.3	10	-	126	72.7		
3(.)S 65-160/9.2	3(.)P 65-160/9.2	9.2	12.5	160		12.46	-	21.7	12.5	-	152	87.8		
3(.)S 65-160/11	3(.)P 65-160/11	11	15			16.78	-	28.5	16.4	-	231	133		
3(.)S 65-160/15	3(.)P 65-160/15	15	20	160	B35	20.56	-	34.1	19.7	-	290	167		
3(.)S 65-200/15	3(.)P 65-200/15	15	20			24.5	-	42.5	24.5	-	287	166		
3(.)S 65-200/18.5	3(.)P 65-200/18.5	18.5	25			20.56	-	34.1	19.7	-	290	167		
3(.)S 65-200/22	3(.)P 65-200/22	22	30	180		24.5	-	42.5	24.5	-	287	166		
3LS 65-250/30	3LP 65-250/30	30	40	200	B3	32.88	-	54.6	31.5	-	387	223		
3LS 65-250/37	3LP 65-250/37	37	50			40.45	-	66.7	38.5	-	484	279		
3LS 80-160/11	3LP 80-160/11	11	15	160		12.46	-	21.7	12.5	-	152	87.8		
3LS 80-160/15R	3LP 80-160/15R	15	20	160	B3	16.78	-	28.5	16.4	-	231	133		
3LS 80-160/15	3LP 80-160/15	15	20			20.56	-	34.1	19.7	-	290	167		
3LS 80-160/18.5	3LP 80-160/18.5	18.5	25			24.5	-	42.5	24.5	-	287	166		
3LS 80-200/22	3LP 80-200/22	22	30	180	B3	32.88	-	54.6	31.5	-	387	223		
3LS 80-200/30	3LP 80-200/30	30	40			40.45	-	66.7	38.5	-	484	279		
3LS 80-200/37	3LP 80-200/37	37	50	200		12.46	-	21.7	12.5	-	152	87.8		
3LS 80-250/37	3LP 80-250/37	37	50	200	B3	16.78	-	28.5	16.4	-	231	133		
3LS 80-250/45	3LP 80-250/45	45	60	225		20.56	-	34.1	19.7	-	290	167		
3LS 80-250/55	3LP 80-250/55	55	75	250		24.5	-	42.5	24.5	-	287	166		
3LS 80-250/55	3LP 80-250/55	55	75	250		48.86	-	79.8	46.1	-	540	312		
3LS 80-250/55	3LP 80-250/55	55	75	250		59.3	-	99.4	57.4	-	693	400		