

KIZZIRAN industrial
manufacturing
company
appreciates
consumers like you
and would like to
let you know that
the company is
about to introduce
new line of
products
in the near future

KIZZIRAN industrial
manufacturing company
was founded in **1984** as the
first manufacturer of
brass gate valves in
Iran. As the result
of continuous endeavors,
the company has become
the **biggest** and **superior**
company in manufacturing
building faucets and valves
for installations

KIZZ IRAN





KIZZ IRAN Producing & Industrial Co.
LTD., Registration No. 49
Flat No. 39, East ent., Arian Bldg.,
Mirdamad Blvd., Tehran1549846189,IRAN

@kizz_iran @kizziran

☎(+98) 21 22256363-7

☎(+98) 21 22256369

☎(+98) 21 22256368

✉info@kizziran.com



about us

KIZZ IRAN industrial manufacturing company was founded in 1984 as the first manufacturer of brass gate valves in Iran. As the result of continuous endeavors, the company has become the biggest and superior company in manufacturing building faucets and valves for installations. The company is very proud to have been able to receive the following honors and standards:

- To receive international quality prize (Spain 1994, 2008 and Europe 2010)
- **KIZZ IRAN** industrial manufacturing company has been the first company in its class to receive standardization certificate from the Iranian institute of standardization and industrial research
- To be selected as the role model entrepreneur in the 2008 festival of industrial champions
- Selection of distinguished manager in the 2010 meeting of distinctive manufacturers of the company
- Selection of superior company in the 2011 festival of industrial elites
- CE certification in 2016

It goes without saying that the company owes its success to its honest and committed managers and employees, particularly those involved in sale and distribution of the product, who tirelessly have helped the company to achieve its goals. In addition consistent quality, employing newest technology and state of the art machinery and equipments has made it possible for the company to gain access to these honors.

KIZZ IRAN industrial manufacturing company appreciates consumers like you and would like to let you know that the company is about to introduce new line of products in the near future.



Managing Director's Remarks



From long time ago, manufacturing a national product according to the requirements of international standards caused us to take advantage of both national and international experiences to set up **KIZZ IRAN** factory in 1984 as the first producer of brass sliding gate valves. Benefited from high potential and experience of domestic and international experts and taking advantage of the most experience and skilled manpower, the factory offers world-class quality and compatitive price to its dear customers according to the requirements of international standards.

At the contemporary world of today, with fast-paced development, we believe on change according to customers demand as on of the secrets of success of many organizations and economic enterprises in the Third Millennium, for this purpose, the management of the company has focused on applying information and communication technology (ICT) according to the market requirements. Undoubtedly, safeguarding previous achievements and moving towards the

developments and challenges facing ahead will require adopting a comprehensive approach to all progressive factors, consecutive promotion of produts qualitatively and quantitatively, benefiting from world's most modern and advanced technologies coupled with doubled efforts of industrious staff and personnel of the industrial and production unit. Today, the industrial and production unit has taken giant strides at the threshold of significant economic development of the country, based on which, the company has focused on boosting quality of products, details of which have been put atop agenda.

The company plans to effective activities in competitive market to get more market share at construction market according to its strategic vision. Equipped with the most experienced, skilled and expert manpower, the company will participate in both national and international arenas strongly in the field of offering high-quality products. It is hoped that the company will materialize most of its economic objectives at the unsparing effort of industrious staff and personnel and also due support of respected shareholders.

We believe that: **Action speaks louder than words!**

Order No.	Size (inch)	A (inch)	B (mm)	D (mm)	D1 (inch)	D2 (inch)	d1 (mm)	d2 (mm)	L (mm)	L1 (mm)	H (mm)	H1 (mm)	SW (mm)	a (degree)	Operating Temperature (C)	Working Pressure
Gate Valve																
5001	G 1/2	1/2"	13	55	-	-	-	-	44	-	80	95	26	-	200	16 bar
5002	G 3/4	3/4"	19	55	-	-	-	-	49	-	97	115	32	-	200	16 bar
5003	G 1	1"	25	60	-	-	-	-	52	-	103	125	39	-	200	16 bar
5004	G 1 1/4	1 1/4"	32	64	-	-	-	-	60	-	118	146	49	-	200	16 bar
5005	G 1 1/2	1 1/2"	38	73	-	-	-	-	62	-	131	162	55	-	200	16 bar
5006	G 2	2"	50	90	-	-	-	-	72	-	156	194	68	-	200	16 bar
5007	G 2 1/2	2 1/2"	56	100	-	-	-	-	85	-	185	232	85	-	200	20 bar
5008	G 3	3"	65	115	-	-	-	-	88	-	200	255	98	-	200	20 bar
5030	G 2 1/2	2 1/2"	63.5	100	-	-	-	-	83	-	192	239	85	-	200	20 bar
5031	G 3	3"	76.2	115	-	-	-	-	98	-	218	273	98	-	200	20 bar
Globe Valve																
5190	G 1/2	-	-	55	-	-	-	-	51	-	71	-	-	-	180	Max.:150 psi
5191	G 3/4	-	-	55	-	-	-	-	60	-	78	-	-	-	180	Max.:150 psi
5192	G 1	-	-	60	-	-	-	-	72	-	87	-	-	-	180	Max.:150 psi
5193	G 1 1/4	-	-	71	-	-	-	-	72.5	-	98	-	-	-	180	Max.:150 psi
5194	G 1 1/2	-	-	80	-	-	-	-	84	-	118.5	-	-	-	180	Max.:150 psi
5195	G 2	-	-	90	-	-	-	-	101	-	128	-	-	-	180	Max.:150 psi
Swing Check Valve																
5050	G 1/2	1/2"	13	-	-	-	-	-	51	-	31	45	26	-	200	16 bar
5051	G 3/4	3/4"	19	-	-	-	-	-	57	-	35	53	32	-	200	16 bar
5052	G 1	1"	25	-	-	-	-	-	67	-	43	65	39	-	200	16 bar
5053	G 1 1/4	1 1/4"	32	-	-	-	-	-	75	-	45	73	49	-	200	16 bar
5054	G 1 1/2	1 1/2"	38	-	-	-	-	-	84	-	49	79	55	-	200	16 bar
5055	G 2	2"	50	-	-	-	-	-	103	-	57	95	68	-	200	16 bar
5060	G 1/2	1/2"	13	-	-	-	-	-	54	-	31	45	26	-	200	16 bar
Y Strainer																
5150	G 1/2	1/2"	-	15	-	-	-	-	58	-	41	55	26	-	150	16 bar
5151	G 3/4	3/4"	-	20	-	-	-	-	70	-	45	62	32	-	150	16 bar
5152	G 1	1"	-	25	-	-	-	-	86	-	57	78	39	-	150	16 bar
5153	G 1 1/4	1 1/4"	-	32	-	-	-	-	90	-	67	93	49	-	150	16 bar
5154	G 1 1/2	1 1/2"	-	41	-	-	-	-	99	-	75	103	55	-	150	16 bar
5155	G 2	2"	-	50	-	-	-	-	123	-	91	127	68	-	150	16 bar
5156	G 2 1/2	2 1/2"	-	60	-	-	-	-	148	-	108	151	85	-	150	16 bar
Angle Valve																
5010	G 1/2*1/2	-	-	-	G 1/2	G 1/2	15	15	72	15	52	24	-	-	5~80	10 bar
5012	G 1/2*3/8	-	-	-	G 1/2	G 3/8	15	11	72	15	52	24	-	-	5~80	10 bar
Fire Fighting Valve																
5170	G 1 1/2	-	-	-	G 1 1/2	G 1 1/2	40	40	96	-	130	-	-	50	180	16bar

Order No.	Size (inch)	A (inch)	B (mm)	D (mm)	D1 (mm)	D2 (mm)	d1 (mm)	d2 (mm)	L (mm)	L1 (mm)	H (mm)	H1 (mm)	SW (mm)	a (degree)	Operating Temperature (C)	Working Pressure
Spring Check Valve																
5070	G 1/2	1/2"	-	35	-	-	-	-	-	-	47	-	26	-	-20~100	16 bar
5071	G 3/4	3/4"	-	41	-	-	-	-	-	-	59	-	32	-	-20~100	16 bar
5072	G 1	1"	-	48	-	-	-	-	-	-	62	-	39	-	-20~100	16 bar
5073	G 1 1/4	1 1/4"	-	60	-	-	-	-	-	-	64	-	49	-	-20~100	12 bar
5074	G 1 1/2	1 1/2"	-	68	-	-	-	-	-	-	73	-	55	-	-20~100	12 bar
5075	G 2	2"	-	84	-	-	-	-	-	-	79	-	68	-	-20~100	12 bar
5076	G 2 1/2	2 1/2"	-	103	-	-	-	-	-	-	103	-	85	-	-20~100	8 bar
5077	G 3	3"	-	125	-	-	-	-	-	-	110	-	98	-	-20~100	8 bar

Inline Check Foot Valve																
5180	G 1/2	1/2"	20	35	-	-	-	-	-	-	69	-	26	-	100	16bar
5181	G 3/4	3/4"	23.5	41	-	-	-	-	-	-	82	-	32	-	100	16bar
5182	G 1	1"	30	48	-	-	-	-	-	-	92	-	39	-	100	16bar
5183	G 1 1/4	1 1/4"	36	60	-	-	-	-	-	-	102	-	49	-	100	12bar
5184	G 1 1/2	1 1/2"	44.5	68	-	-	-	-	-	-	115	-	55	-	100	12bar
5185	G2	2"	56.5	84	-	-	-	-	-	-	134	-	68	-	100	12bar

Ball Valve																
5100	G1/2*16	9"	16	8	-	-	-	-	61	-	30	-	-	-	5~80	16bar
5101	G1/2*20	9"	20	11	-	-	-	-	61	-	32	-	-	-	5~80	16bar
5080	G1/2	1/2"	-	-	-	-	-	-	60	-	34	49	26	-	5~80	16bar
5081	G3/4	3/4"	-	-	-	-	-	-	67	-	40	57	32	-	5~80	16bar
5082	G1	1"	-	-	-	-	-	-	77	-	48	69	39	-	5~80	16bar
5090	G1/2	1/2"	-	-	-	-	-	-	50	-	34	49	26	-	5~80	16bar
5091	G3/4	3/4"	-	-	-	-	-	-	56	-	40	57	32	-	5~80	16bar
5092	G1	1"	-	-	-	-	-	-	65	-	48	69	39	-	5~80	16bar

Corporation Valve																
Order No.	G (inch)	L (mm)	D (mm)	H (mm)	Max. Operating Temperature (C)					Max. Working Pressure (bar)						
5200	G 1/2	63.5	13	45.5	38					10.5						
5201	G 3/4	83.5	19	57.5	38					10.5						

Curb Valve																
Order No.	G (inch)	L (mm)	D (mm)	H (mm)	G	D1 (mm)	Max. Operating Temperature (C)					Max. Working Pressure (bar)				
5210	1/2	86	14.5	92	G 1 1/2"	14	38					10.5				
5211	3/4	100	19	104	G 1 1/2"	16*22	38					10.5				

MINIPRESS Pressure Reducing Valve																
Order No.	Size (inch)	L (mm)	H (mm)	C (mm)	Operating Temperature (C)	Max. inlet Working Pressure (bar)	adjustable outlet Pressure (bar)	Threads	Factory Preadjustment (bar)							
5370	G 1/2	60	100	49	0~80	15	1~4	1/4"	3							
5371	G 3/4	60	100	49	0~80	15	1~4	1/4"	3							

Gate Valve

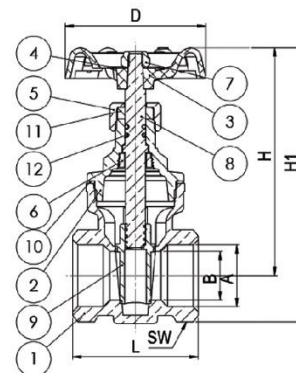


Gate valves are usable in water utilities industry, water supply networks, irrigation systems, petroleum, oil and gasoline networks, tanker manufacturing industries, pneumatic and hydraulic industries, chemical materials and building industries. The gate valve is designed and manufactured according to Iranian National standard No. 3664 and is made of hot forged brass. The main form of ribs is calculated in inches based on EN ISO-228 Standard. Intermolecular distance is reduced as less as possible in production method to increase body resistance in destruction tests, consequently, working pressure resistance rises. For this reason, forging method is selected.

Order No.	Size (inch)	A (inch)	B (mm)	D (mm)	L (mm)	H (mm)	H1 (mm)	SW (mm)	Operating Temperature (C)	Working Pressure (bar)
5001	G 1/2	1/2"	13	55	44	80	95	26	200	16
5002	G 3/4	3/4"	19	55	49	97	115	32	200	16
5003	G 1	1"	25	60	52	103	125	39	200	16
5004	G 1 1/4	1 1/4"	32	64	60	118	146	49	200	16
5005	G 1 1/2	1 1/2"	38	73	62	131	162	55	200	16
5006	G 2	2"	50	90	72	156	194	68	200	16
5007	G 2 1/2	2 1/2"	56	100	85	185	232	85	200	20
5008	G 3	3"	65	115	88	200	255	98	200	20
5030	G 2 1/2	2 1/2"	63.5	100	83	192	239	85	200	20
5031	G 3	3"	76.2	115	98	218	273	98	200	20

Body and all parts of gate valves manufactured by this company are according to the last standards, the analysis is according to the following table:

No.	Name of pieces	Material
1	Body	MS 58 Hot Forged brass
2	Cap	MS 58 Hot Forged brass
3	Handle	Zamac 3 with electrostatic paint coating
4	Mark	Aluminum
5	Hexagon nut	MS 58 brass
6	Grooved nut	MS 58 brass
7	Lock nut	plated iron
8	Stem	MS 58 brass
9	Gate	MS 58 Hot Forged brass
10	Sealing Washer	Hostaform plastic
11	Sealing Washer	PVC
12	Sealing O-Ring	NBR rubber



Globe Valve

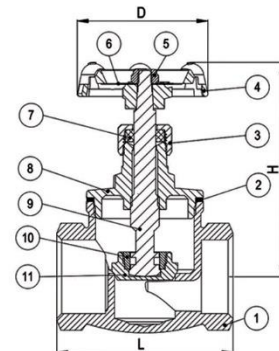


This product is designed to be used in regular and uniform fluid flow that need to adjust the pressure including home plumbing, industrial and agricultural applications, heating plants, sanitary systems, steam oil, gasoline and other hydrocarbons.

Order No.	Size (inch)	L (mm)	H (mm)	D (mm)	Operating Temperature (C)	Max. Working Pressure (psi)
5190	G 1/2	51	71	55	180	150
5191	G 3/4	60	78	55	180	150
5192	G 1	72	87	60	180	150
5193	G 1 1/4	72.5	98	71	180	150
5194	G 1 1/2	84	118.5	80	180	150
5195	G 2	101	128	90	180	150

The body material and other components of manufactured globe valves by this company have been standard and analysis is according to following table:

No.	Name of pieces	Material
1	Body	MS 58 Hot Forged brass
2	Sealing washer	Vulcanized fiber washer
3	Hexagon nut	MS 58 brass
4	Handle	Zamac 3 with electrostatic paint coating
5	lock nut	Plated iron
6	Mark	Aluminum
7	Sealing Washer	PTFE
8	Cap	MS 58 Hot Forged brass
9	Stem	MS 58 brass
10	Sealing	MS 58 brass



Swing Check Valve



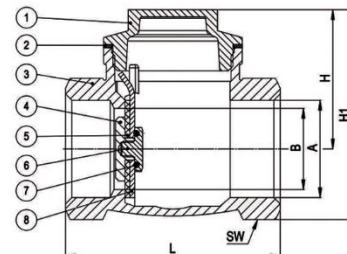
A valve through which the fluid passes in one direction and backflow of fluid is avoided. The valve acts only under the pressure of fluid having no controller device on outer body. Fluid circulation is controlled by a disc which gets away from valve body when fluid pressures and returned to its previous position when pressure stops. Swing check valves are used usually in urban water supply, thermal installations of buildings, industrial purposes, pumps, petroleum and oil networks and generally in all networks in which the fluid flows only in one direction. Followings are benefits and advantages of this product:

- Resistance against corrosion and tear
- Resistance against sediments
- Full sealing
- Silent on-off position

Order No.	Size (inch)	A (inch)	B (mm)	L (mm)	H (mm)	H1 (mm)	SW (mm)	Operating Temperature (C)	Max. Working Pressure (bar)
5050	G 1/2	1/2"	13	51	31	45	26	200	16
5051	G 3/4	3/4"	19	57	35	53	32	200	16
5052	G 1	1"	25	67	43	65	39	200	16
5053	G 1 1/4	1 1/4"	32	75	45	73	49	200	16
5054	G 1 1/2	1 1/2"	38	84	49	79	55	200	16
5055	G 2	2"	50	103	57	95	68	200	16

Body and all parts of swing check valves manufactured by this company are according to the last standards, the analysis is according to the following table:

No.	Name of pieces	Material
1	Cap	MS 58 Hot Forged brass
2	Sealing washer	Hostaform plastic
3	Body	MS 58 Hot Forged brass
4	Valve nut	MS 58 brass
5	Sealing rubber	NBR rubber
6	Valve pin	MS 58 brass
7	O-Ring	NBR rubber
8	Valve	SS 304 stainless steel



Swing Check Valve



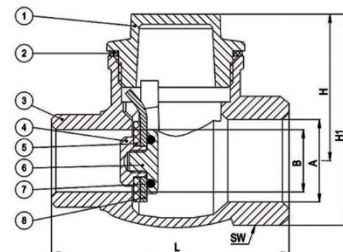
A Valve through which the fluid passes in one direction and backflow of fluid is avoided. The valve acts only under the pressure of fluid having no controller device on outer body. Fluid circulation is controlled by a disc which gets away from valve body when fluid pressures and returned to its previous position when pressure stops. Swing check valves are used usually in urban water supply, thermal installations of buildings, industrial purposes, pumps, petroleum and oil networks and generally in all networks in which the fluid flows only in one direction. Followings are benefits and advantages of this product:

- Resistance against corrosion and tear
- Resistance against sediments
- Full sealing
- Silent on-off position

Order No.	Size (inch)	A (inch)	B (mm)	L (mm)	H (mm)	H1 (mm)	SW (mm)	Operating Temperature (C)	Working Pressure (bar)
5060	G 1/2	1/2"	13	54	31	45	26	200	16

Body and all parts of swing check valves manufactured by this company are according to the last standards, the analysis is according to the following table:

No.	Name of pieces	Material
1	Cap	MS 58 Hot Forged brass
2	Sealing washer	Hostaform plastic
3	Body	MS 58 Hot Forged brass
4	Valve nut	MS 58 brass
5	Sealing rubber	NBR rubber
6	Valve pin	MS 58 brass
7	O-Ring	NBR rubber
8	Valve	SS 304 stainless steel



Y Strainer

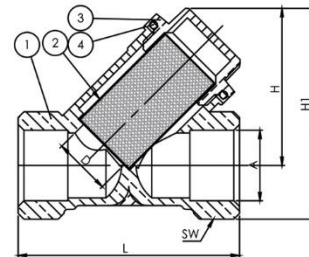


Y strainer is designed and produced according to national and international standards and is applicable in building pipelines, engine rooms, irrigation and agriculture systems, various types of water-heaters and packages and in processes which deal with water, oil or even gasoline.

order No.	Size (inch)	A (inch)	D (mm)	L (mm)	H (mm)	H1 (mm)	SW (mm)	Operating Temperature (C)	Working Pressure (bar)
5150	G 1/2	1/2"	15	58	41	55	26	150	16
5151	G 3/4	3/4"	20	70	45	62	32	150	16
5152	G 1	1"	25	86	57	78	39	150	16
5153	G 1 1/4	1 1/4"	32	90	67	93	49	150	16
5154	G 1 1/2	1 1/2"	41	99	75	103	55	150	16
5155	G 2	2"	50	123	91	127	68	150	16
5156	G 2 1/2	2 1/2"	60	148	108	151	85	150	16

Body and all parts of Y Strainer manufactured by this company are according to the last standards, the analysis is according to the following table:

No.	Name of pieces	Material
1	Body	MS 58 Hot Forged brass
2	Grid	MS 58 brass
3	Cap	SS 304 stainless steel
4	Sealing O-Ring	NBR rubber



Angle Valve

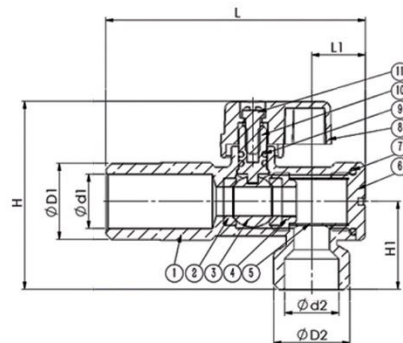


Angle valve with filter, is a simple faucet which is placed between the piping and the other faucets and is usually the best supplement for installing lever faucets and luxury faucets, rest rooms, house plumping systems, irrigation systems, pneumatic, gasoil, gasoline and oil-distribution networks, and in general non-corrosive industrial fluids. This faucet prevents sand and other substances from entering highly sensitive systems.

Order No.	Size (inch)	D1 (inch)	D2 (inch)	d1 (mm)	d2 (mm)	L (mm)	L1 (mm)	H (mm)	H1 (mm)	Operating Temperature (C)	Working Pressure (bar)
5010	G 1/2*1/2	G1/2"	G1/2"	15	15	72	15	52	24	5~80	10
5012	G 1/2*3/8	G1/2"	G3/8"	15	11	72	15	52	24	5~80	10

Body and all parts of Angle valves manufactured by this company are according to the last standards, the analysis is according to the following table:

No.	Name of pieces	Material
1	Body	MS 58 Hot Forged brass (nickel plating)
2	Ball Seats	PTFE
3	Ball	MS 58 brass (Chromium-Nickel Plating)
4	Cartridge screw	MS 58 brass
5	Grid	Stainless steel
6	Cap	MS 58 brass (nickel plating)
7	Sealing O-Ring	NBR rubber
8	Handle	Aluminum with electrostatic painting
9	Sealing O-Ring	NBR rubber
10	Stem	MS 58 brass
11	Screw	Electro Plated Iron



Spring Check Valve



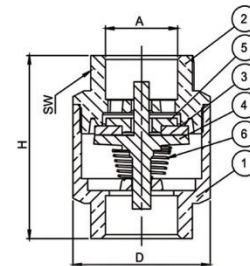
A valve which the fluid passes in one direction and backflow of fluid is avoided. The valve acts only under the pressure of fluid having no controller device on outer body. Fluid circulation is controlled by a disc which gets away from valve body when fluid pressures and returned to its previous position when pressure stops. Spring check valves are used usually in urban water supply, thermal installations of buildings industrial purposes, pumps, petroleum and oil networks and generally in all networks which the fluid flows only in one direction. Followings are benefits and advantages of this product:

- Resistance against corrosion and tear
- Resistance against sediments
- Full sealing under any environmental and working circumstances (horizontal, vertical, angled)
- Valve opening with the least fluid pressure
- silent on-off position

Order No.	Size (inch)	A (inch)	D (mm)	H (mm)	SW (mm)	Operating Temperature (C)	Max. Working Pressure(bar)
5070	G 1/2	1/2"	35	47	26	-20~100	16
5071	G 3/4	3/4"	41	59	32	-20~100	16
5072	G 1	1"	48	62	39	-20~100	16
5073	G 1 1/4	1 1/4"	60	64	49	-20~100	12
5074	G 1 1/2	1 1/2"	68	73	55	-20~100	12
5075	G 2	2"	84	79	68	-20~100	12
5076	G 2 1/2	2 1/2"	103	103	85	-20~100	8
5077	G 3	3"	125	110	98	-20~100	8

Body and all parts of spring check valves manufactured by this company are according to the last standards, the analysis is according to the following table:

No.	Name of pieces	Material
1	Body	MS 58 Hot Forged brass
2	Bonnet	MS 58 Hot Forged brass
3	Sealing rubber	NBR rubber
4	Valve	Hostaform plastic
5	Retaining washer	Hostaform plastic
6	Spring	Stainless steel



Inline Check Foot Valve

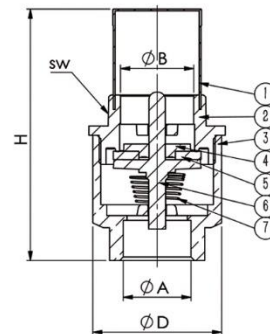


Like a one-way spring valve, it is a valve which the fluid can pass through in one direction and it prevents the return of the flow. This faucet works with fluid pressure and has no other controlling device on its exterior body. The valve opens through the flow pressure which is applied to the surface of the valve and it closes when the flow stops and the spring on the back of the valve applies pressure to it. This product is mainly used in submersible water pumps, well-pumps, urban water supply networks, building heating facilities compressed air systems, and pneumatic in order to prevent tiny particles, dust, and sand from entering highly sensitive systems.

Order No.	Size (inch)	A (inch)	B (mm)	D (mm)	H (mm)	SW (mm)	Working Temperature (C)	Working Pressure (bar)
5180	G 1/2	1/2"	20	35	69	26	100	16
5181	G 3/4	3/4"	23.5	41	82	32	100	16
5182	G 1	1"	30	48	92	39	100	16
5183	G 1 1/4	1 1/4"	36	60	102	49	100	12
5184	G 1 1/2	1 1/2"	44.5	68	115	55	100	12
5185	G 2	2"	56.5	84	134	68	100	12

Body and all parts of Inline check foot valves manufactured by this company are according to the last standards, the analysis is according to the following table:

No.	Name of pieces	Material
1	Filter	Stainless steel
2	Cap	ABS plastic
3	Body	MS 58 Hot Forged brass
4	Retaining washer	Hostaform plastic
5	Sealing rubber	NBR rubber
6	Valve	Hostaform plastic
7	Spring	Stainless steel



Fire Fighting Valve

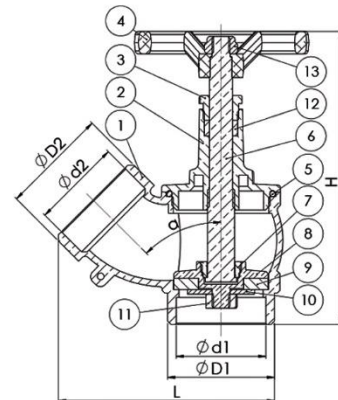


This product is suitable for fire panels with an inlet on their lower section and a 130 degree outlet and which could be attached to the hydrant hose.

Order No.	Size (inch)	D1 (inch)	D2 (inch)	d1 (mm)	d2 (mm)	L (mm)	H (mm)	a (degree)	Operating Temperature (C)	Working Pressure (bar)
5170	G1 1/2	G1 1/2"	G1 1/2"	40	40	96	130	50°	180	16

Body and all parts of Fire fighting valves manufactured by this company are according to the last standards, the analysis is according to the following table:

No.	Name of pieces	Material
1	Body	MS 58 Hot Forged brass
2	Cap	MS 58 Hot Forged brass
3	Regulator	MS 58 brass
4	Handle	Electrostatic painted aluminum
5	Sealing O-Ring	NBR rubber
6	Stem	MS 58 brass
7	Grooved nut	MS 58 brass
8	Valve	MS 58 Hot Forged brass
9	Rubber Washer	NBR rubber
10	Steel flat washer	Stainless steel
11	Hexagon Nut	MS 58 brass
12	Sealing washer	NBR rubber
13	Nut	Electroplated iron



Ball Valve

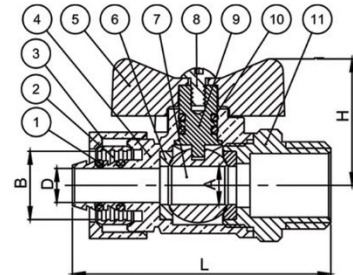


Brass Ball Valves (Couple-Collector Valves) are used usually in building facilities, floor heating systems and warm and cold building water supply networks. The valve is quarter-turn and opens and closes with 90 degree rotation of handle. Internal and external surfaces are coated with nickel to avoid long-term corrosion against minerals of water or other enviromental corrosives. The ball inside the valves is covered with chromium in addition to nickel to minimize its erosion due to friction with plastic tape. Sealing angle of this type of valves is +15 degrees, the best sealing angle for ball valves. A total of 100% pressure test is performed on all valves during pre-defined time period, and torque test and impact test are performed randomly too.

Order No.	Size (inch)	A (inch)	B (mm)	D (mm)	H (mm)	L (mm)	Operating Temperature (C)	Working Pressure (bar)
5100	G 1/2*16	9"	16	8	30	61	5~80	16
5101	G 1/2*20	9"	20	11	32	61	5~80	16

Body and all parts of Ball valves manufactured by this company are according to the last standards, the analysis is according to the following table:

No.	Name of pieces	Material
1	O-Ring	Silicon
2	Ring	MS 58 brass (Nickel plating)
3	Nut	MS 58 brass (Nickel plating)
4	Body	MS 58 Hot Forged brass (Nickel plating)
5	Handle	Aluminum with electrostatic paint coating
6	Ball seats	PTFE
7	Ball	MS 58 brass (Chromium-Nickel plating)
8	Screw	Electroplated iron
9	Stem	MS 58 brass
10	Sealing O-Ring	NBR rubber
11	Bonnet	MS 58 brass (Nickel plating)



Ball Valve



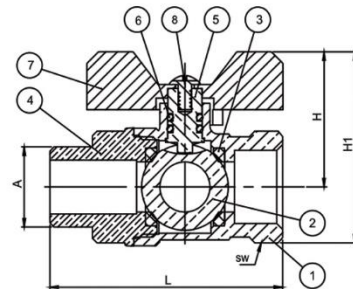
Ball valves (Collector Valves) are used usually in collector systems (split systems) , packages, floor heating systems warm and cold building water supply networks, etc. Followings are benefits and advantages of this product:

- High sealing index
- On-off 90 degree rotation
- Resistance against corrosion, erosion and sedimentation
- Nickel plating on all internal and external surfaces of valve
- Lack of sreak while on and off valves

Order No.	Size (inch)	A (inch)	L (mm)	H (mm)	H1 (mm)	SW (mm)	Operating Temperature (C)	Working Pressure (bar)
5080	G 1/2	1/2"	60	34	49	26	5~80	16
5081	G 3/4	3/4"	67	40	57	32	5~80	16
5082	G 1	1"	77	48	69	39	5~80	16

Body and all parts of Ball valves manufactured by this company are according to the last standards, the analysis is according to the following table:

No.	Name of pieces	Material
1	Body	MS 58 Hot Forged brass (nickel plating)
2	Ball	MS 58 brass (Chromium-Nickel Plating)
3	Ball seats	PTFE
4	Bonnet	MS 58 Forged brass (nickel plating)
5	Stem	MS 58 brass
6	Sealing O-Ring	NBR rubber
7	Handle	Aluminum with electrostatic paint coating
8	Screw	Electroplated iron



Ball Valve



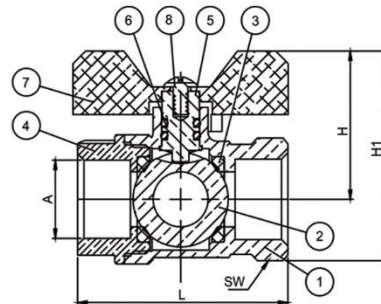
Ball valves (Collector Valves) are used usually in collector systems (split systems), package, floor heating systems warm and cold building water supply networks, etc. Followings are benefits and advantages of this product:

- High sealing index
- On-off 90 degree rotation
- Resistance against corrosion, erosion and sedimentation
- Nickel plating on all internal and external surfaces of valve
- Lack of sreak while on and off valves

Order No.	Size (inch)	A (inch)	L (mm)	H (mm)	H1 (mm)	SW (mm)	Operating Temperature (C)	Working Pressure (bar)
5090	G 1/2	1/2"	50	34	49	26	5~80	16
5091	G 3/4	3/4"	56	40	57	32	5~80	16
5092	G 1	1"	65	48	69	39	5~80	16

Body and all parts of Ball valves manufactured by this company are according to the last standards, the analysis is according to the following table:

No.	Name of pieces	Material
1	Body	MS 58 Hot Forged brass (nickel plating)
2	Ball	MS 58 brass (Chromium-Nickel Plating)
3	Ball seats	PTFE
4	Bonnet	MS 58 Forged brass (nickel plating)
5	Stem	MS 58 brass
6	Sealing O-Ring	NBR rubber
7	Handle	Aluminum with electrostatic paint coating
8	Screw	Electroplated iron



Corporation Valve



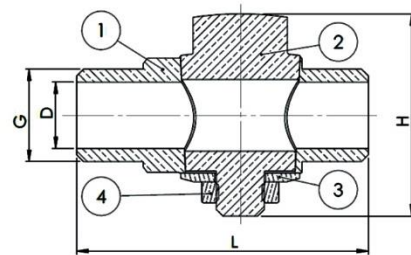
Corporation Valves are installed on service saddle, used to connect and disconnect water flow when need to repair and maintain the curb valve.

Design and manufacturing of this product based on (AWWA-C800), we use bronze as the material of body and cartridge.

Order No.	G (inch)	L (mm)	D (mm)	H (mm)	Max. Operating Temperature(C)	Max. Working Pressure(bar)
5200	G 1/2	63.5	13	45.5	38	10.5
5201	G 3/4	83.5	19	57.5	38	10.5

Body and all parts of Corporation valves manufactured by this company are according to the last standards, the analysis is according to the following table:

No.	Name of pieces	Material
1	Body	Bronze ASTM B-62 (CuSn5Zn5Pb5)
2	Cartridge	Bronze ASTM B-62 (CuSn5Zn5Pb5)
3	Washer	MS 58 brass
4	Nut	MS 58 brass



Curb Valve

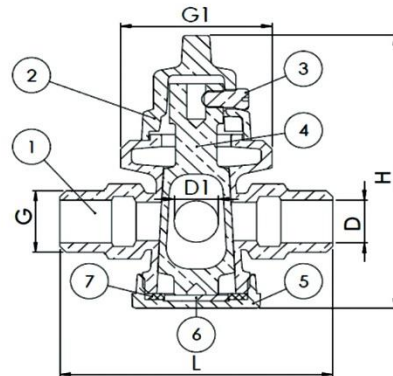


This valve can be used to open and close in quarter round and to cut off the flow of water before the property of subscribers entrance (side walk) and also use to repair any breakdown between the curb valve and meter. Design and manufacturing of this product is based on (AWWA-C800), we use bronze as the material of body and cartridge.

Order No.	G (inch)	L (mm)	D (mm)	H (mm)	G1	D1 (mm)	Max. Operating Temperature (C)	Max. Working Pressure (bar)
5210	1/2	86	14.5	92	G1 1/2"	14	38	10.5
5211	3/4	100	19	104	G1 1/2"	16*22	38	10.5

Body and all parts of Corporation valves manufactured by this company are according to the last standards, the analysis is according to the following table:

No.	Name of pieces	Material
1	Body	Bronze ASTM B-62 (CuSn5Zn5Pb5)
2	Cap	MS58 hot forged brass
3	Screw	MS58 brass
4	Cartridge	Bronze ASTM B-62 (CuSn5Zn5Pb5)
5	Cap	MS58 hot forged brass
6	Rubber washer	NBR rubber
7	Victory washer	Victory washer



MINIPRESS Pressure Reducing Valve



MINIPRESS Pressure Reducing Valve is a device which reduces and stabilizes pressure.

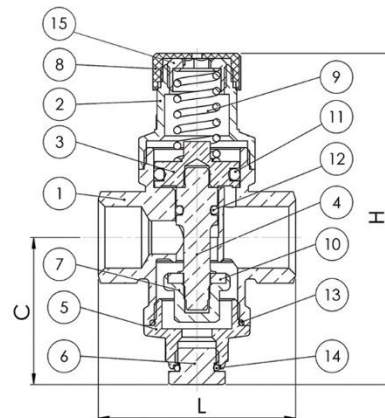
When the entering pressure is high or variable, pressure reducing valve reduces, adjusts and stabilizes the downstream pressure.

This device is suitable for domestic water services, heating and air-conditioning plants, compress air system, etc

Order No.	Size (inch)	L (mm)	H (mm)	C (mm)	Operating Temperature (C)	Max. inlet Working Pressure (bar)	adjustable outlet Pressure (bar)	Threads	Factory Preadjustment (bar)
5370	G 1/2	60	100	49	0~80	15	1~4	1/4"	3
5371	G 3/4	60	100	49	0~80	15	1~4	1/4"	3

Body and all parts of MINIPRESS Pressure reducing Valve manufactured by this company according to the last standards, the analysis is according to following table:

No.	Name of pieces	Material
1	Body	MS 58 Hot Forged brass
2	Upper Plug	MS 58 brass
3	Diaphragm	MS 58 brass
4	Stem	MS 58 brass
5	Cap	MS 58 brass
6	Buttom Plug	MS 58 brass
7	Shutter	MS 58 brass
8	Cover	Nylon
9	Spring	Stainless steel
10	Flat seat washer	NBR
11	O-Ring	NBR
12	O-Ring	NBR
13	O-Ring	NBR
14	O-Ring	NBR
15	Regulator	MS 58 brass







شرکت تولیدی و صنعتی کیـز ایران
با مسئولیت محدود، شماره ثبت: ۴۹
تهران، بلوار میرداماد، ساختمان آریـن، ورودی
شرقی، واحد ۳۹، کدپستی: ۱۵۴۹۸۴۶۱۸۹
صدای مشتری: ۰۲۱ ۲۲۲۵۶۳۶۸ (+۹۸)

KIZZ IRAN PRODUCING&INDUSTRIAL CO.
LTD., Registration No.49
Flat No.39, East ent., Arian Bldg., Mirdamad
Blv., 1549846189, Tehran,IRAN
Voice of customer: (+98) 21 22256368
www.kizziran.com



انجمن دانشگران نشان استاندارد

